

W 38 × H 42 mm Power OFF Delay Analog Timers

ATS8P Series

INSTRUCTION MANUAL

TCD210141AB

Autonics

Thank you for choosing our Autonics product.

Read and understand the instruction manual and manual thoroughly before using the product.

For your safety, read and follow the below safety considerations before using.

For your safety, read and follow the considerations written in the instruction manual, other manuals and Autonics website.

Keep this instruction manual in a place where you can find easily.

The specifications, dimensions, etc. are subject to change without notice for product improvement. Some models may be discontinued without notice.

Follow Autonics website for the latest information.

Safety Considerations

- Observe all 'Safety Considerations' for safe and proper operation to avoid hazards.
- ⚠ symbol indicates caution due to special circumstances in which hazards may occur.

⚠ Warning Failure to follow instructions may result in serious injury or death.

01. Fail-safe device must be installed when using the unit with machinery that may cause serious injury or substantial economic loss. (e.g. nuclear power control, medical equipment, ships, vehicles, railways, aircraft, combustion apparatus, safety equipment, crime/disaster prevention devices, etc.)

Failure to follow this instruction may result in personal injury, economic loss or fire.

02. Do not use the unit in the place where flammable/explosive/corrosive gas, high humidity, direct sunlight, radiant heat, vibration, impact or salinity may be present.

Failure to follow this instruction may result in explosion or fire.

03. Install on a device panel to use.

Failure to follow this instruction may result in fire or electric shock.

04. Do not connect, repair, or inspect the unit while connected to a power source.

Failure to follow this instruction may result in fire or electric shock.

05. Check 'Connections' before wiring.

Failure to follow this instruction may result in fire.

06. Do not disassemble or modify the unit.

Failure to follow this instruction may result in fire or electric shock.

⚠ Caution Failure to follow instructions may result in injury or product damage.

01. Use the unit within the rated specifications.

Failure to follow this instruction may result in fire or product damage.

02. Use a dry cloth to clean the unit, and do not use water or organic solvent.

Failure to follow this instruction may result in fire or electric shock.

03. Keep the product away from metal chip, dust, and wire residue which flow into the unit.

Failure to follow this instruction may result in fire or product damage.

Cautions during Use

- Follow instructions in 'Cautions during Use'. Otherwise, it may cause unexpected accidents.
- Power supply should be insulated and limited voltage/current or Class2, SELV power supply device.
- The time of min. power supply is 0.1 sec for SEC unit model, and 2 sec for MIN unit model. The operation of timer begins after turning off the power.
- When supplying or turning off the power, use a switch or etc. to avoid chattering.
- Install a power switch or circuit breaker in the easily accessible place for supplying or disconnecting the power.
- After turning off the power, change the time range, etc.
- Keep away from high voltage lines or power lines to prevent inductive noise. In case installing power line and input signal line closely, use line filter or varistor at power line and shielded wire at input signal line.
- Do not use near the equipment which generates strong magnetic force or high frequency noise.
- This unit may be used in the following environments.
 - Indoors (in the environment condition rated in 'Specifications')
 - Altitude max. 2,000 m
 - Pollution degree 2
 - Installation category II

Ordering Information

This is only for reference, the actual product does not support all combinations. For selecting the specified model, follow the Autonics website.

ATS8P - ① ②

① Power supply

2: 24 VAC ~ 50 / 60 Hz, 24 VDC ≒

5: 200 - 240 VAC ~ 50 / 60 Hz

6: 100 - 120 VAC ~ 50 / 60 Hz

② Time unit

S: SEC

M: MIN

Product Components

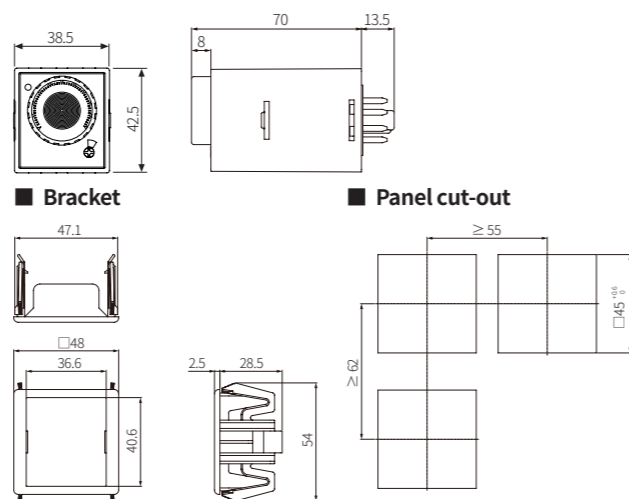
- Product (+ bracket)
- Instruction manual

Sold Separately

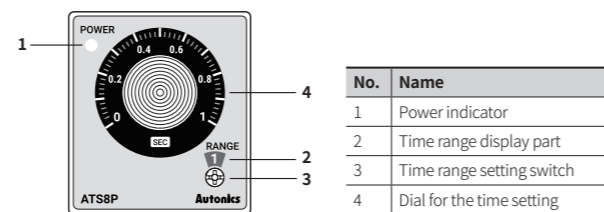
- 8-pin socket: PG-08, PS-08(N), PS-M8

Dimensions

- Unit: mm, For the detailed drawings, follow the Autonics website.



Unit Descriptions

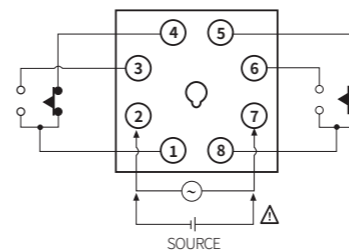


Time Range

Display part	Unit	Range
1	SEC / MIN	0.1 to 1
10		1 to 10

Connections

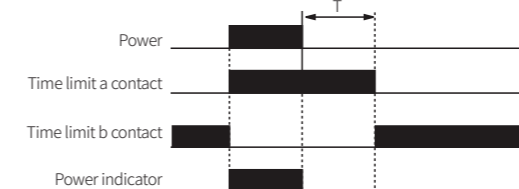
⚠ Caution
: Refer to the 'specifications' for checking the power supply and control output.



Operation Timing Chart

A contact will be ON simultaneously when supplying the power. The a contact will be OFF after T is passed.

- T: setting time



Specifications

Model	ATS8P-2□	ATS8P-5□	ATS8P-6□
Function	Power OFF Delay		
Return time	≤ 100 ms		
Control output	Relay		
Contact type	Time limit DPDT (2c)		
Contact capacity	250 VAC ~ 3 A, 30 VDC ≒ 3 A resistive load		
Error	Repeat: ≤ ± 0.2% ± 10 ms SET: ≤ ± 5% ± 50 ms Voltage: ≤ ± 0.5% Temp.: ≤ ± 2%		
Time operation	Power OFF Start		
Approval	CE, RoHS, ENEC		
Unit weight	SEC unit model: ≈ 80 g, MIN unit model: ≈ 85 g		

Power supply	24 VAC ~ ± 10% 50 / 60 Hz, 24 VDC ≒ ± 10%	200 - 240 VAC ~ ± 10%, 50 / 60 Hz	100 - 120 VAC ~ ± 10%, 50 / 60 Hz
Power consumption	AC: ≤ 0.2 VA DC: ≤ 0.2 W	AC: ≤ 1.5 VA	AC: ≤ 1.5 VA
Insulation resistive	100 MΩ (500 VDC ≒ megger)		
Dielectric strength	2,000 VAC ~ at 50/60 Hz for 1 min		
Noise immunity	± 2 kV square-wave noise by noise simulator (pulse width 1 μs)		
Vibration	0.75 mm double amplitude at frequency of 10 to 55 Hz (for 1 min) in each X, Y, Z direction for 1 hour		
Vibration (malfunction)	0.5 mm double amplitude at frequency of 10 to 55 Hz (for 1 min) in each X, Y, Z direction for 10 min		
Shock	300 m/s ² (≈ 30 G) in each X, Y, Z direction for 3 times		
Shock (malfunction)	100 m/s ² (≈ 10 G) in each X, Y, Z direction for 3 times		
Relay life cycle	Mechanical: ≥ 10,000,000 operations Electrical: ≥ 100,000 operations (250 VAC ~ 3 A resistive load)		
Ambient temperature	-10 to 55 °C, storage: -25 to 65 °C (no freezing or condensation)		
Ambient humidity	35 to 85%RH, storage: 35 to 85%RH (no freezing or condensation)		