




3Phase Potential Transformer

Certificates  



Model No.

KBO- 

-  **How to order**
KBO-22
3P3W 380/110V
KBO-31 3P4W 380√3/190√3V
-  **Note**
3P4W 380√3/190√3V
-  Customized product can be produced by order.

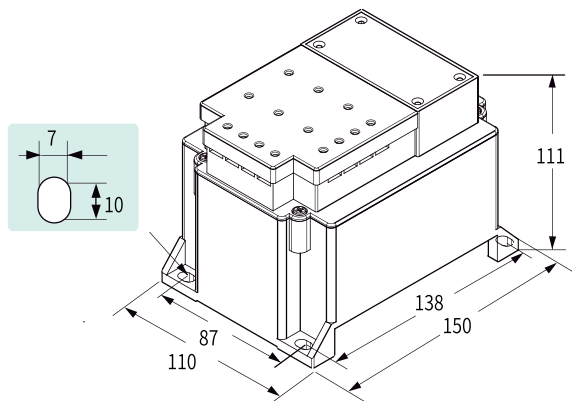
① Circuit	② Voltage	
	Primary voltage	Secondary voltage
1 1P3W	1 220V	110V
	1 220V	110V
	2 380V	110V
	3 380V	220V
	4 440V	110V
2 3P3W	5 440V	220V
	0	Order-made
	1 380/√3V	190/√3V
3 3P4W	0	Order-made

Specification

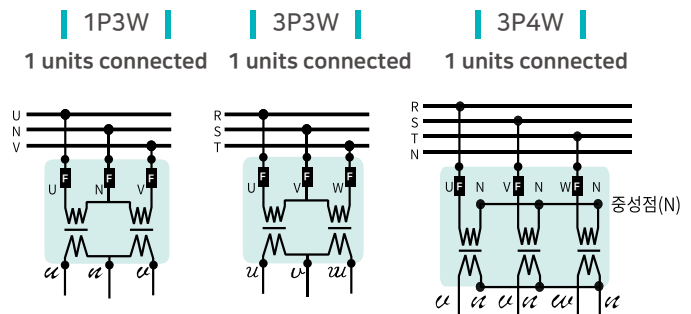
Class	1.0	Withstand voltage	3 kV / 1 min
Rated burden	3P4W, 50VA(17VA X 3)	Induced withstand voltage	120HZ, 2 times of rated voltage 1 min
	3P3W, 50VA(25VA X 2)		
Rated voltage	Follow voltage classification	Rated fuse	500V, 2A
Rated frequency	60 Hz (basic), 50 Hz (order)	Body material	Flame retardant case and polyester flame retardant resin filling
Overvoltage factor	1.1 Vn Continuous/1.9Vn 30s		

Drawing

Unit:mm



Connection diagram



Information

In order to prevent transformer damage, we highly recommend not to connect groundings with PT.