

Single Phase Potential Transformer (ship)




Certificates  

Model No.

KBT-

 Example of order)
KBT-11 220/110V 15VA

 Customized product can be produced by order.

① Voltage		② Rated burden
	Primary voltage	Secondary voltage
1	220V	110V
2	380V	110V
3	440V	110V
4	460V	115V
0	Order-made	

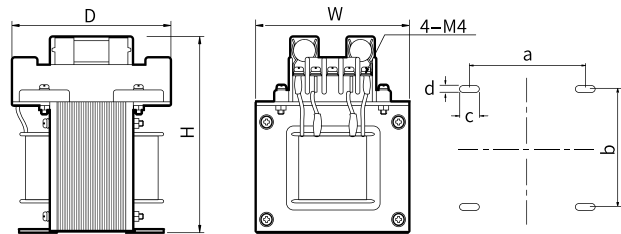
② Rated burden	
1	15VA
2	50VA
3	100VA
0	Order-made

Specification

Class	1.0
Rated burden	Follow the configuration.
Rated voltage	Follow voltage classification
Rated frequency	60 Hz (Standard), 50 Hz (order)
Overvoltage factor	1.1 Vn Continuous/1.9Vn 30s
Withstand voltage	3 kV / 1 min
Induced withstand voltage	120HZ, 2 times of rated voltage 1 min
Rated fuse	500V, 2A
Body material	Flame retardant case

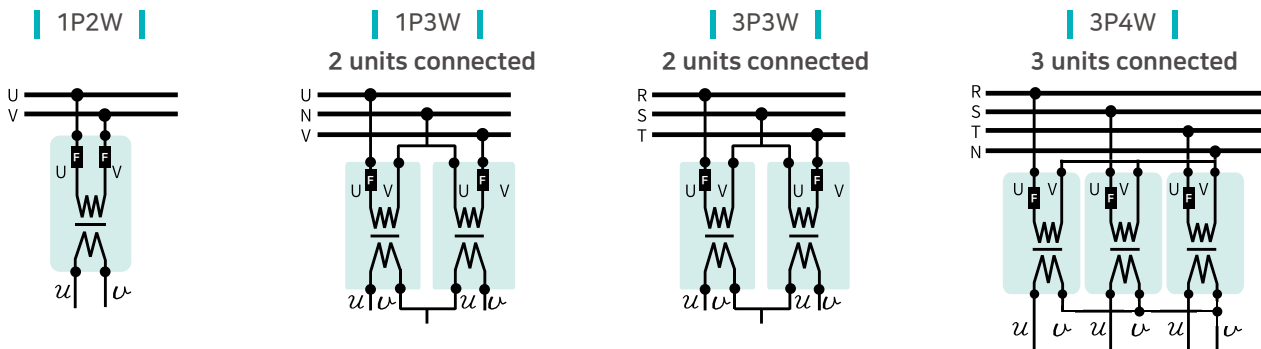
Drawing

Unit:mm



		Burden			
		15VA	50VA	100VA	200VA
Size	H	122	138	145	164
	W	90	111	120	137
	D	109	109	109	109
	a	68±1	68±1	93±1	88
	b	74±1	93±1	102±1	120
	c	15	10	18	18
	d	5	5	5	5
Weight		2.5kg	3.5kg	5kg	7.8kg

Connection diagram



information

In order to prevent transformer damage, we highly recommend not to connect groundings with PT.