

88 mm Diameter Incremental Rotary Encoders

E88 Series

INSTRUCTION MANUAL

TCD210027AA

Autonics

Thank you for choosing our Autonics product.

Read and understand the instruction manual and manual thoroughly before using the product.

For your safety, read and follow the below safety considerations before using.

For your safety, read and follow the considerations written in the instruction manual, other manuals and Autonics website.

Keep this instruction manual in a place where you can find easily.

The specifications, dimensions, etc. are subject to change without notice for product improvement. Some models may be discontinued without notice.

Follow Autonics website for the latest information.

Safety Considerations

- Observe all 'Safety Considerations' for safe and proper operation to avoid hazards.
- ⚠ symbol indicates caution due to special circumstances in which hazards may occur.

⚠ Warning Failure to follow instructions may result in serious injury or death.

- Fail-safe device must be installed when using the unit with machinery that may cause serious injury or substantial economic loss. (e.g. nuclear power control, medical equipment, ships, vehicles, railways, aircraft, combustion apparatus, safety equipment, crime / disaster prevention devices, etc.)**

Failure to follow this instruction may result in personal injury, economic loss or fire.

- Do not use the unit in the place where flammable / explosive / corrosive gas, high humidity, direct sunlight, radiant heat, vibration, impact or salinity may be present.**

Failure to follow this instruction may result in explosion or fire.

- Install on a device panel to use.**

Failure to follow this instruction may result in fire.

- Do not connect, repair, or inspect the unit while connected to a power source.**

Failure to follow this instruction may result in fire.

- Check 'Connections' before wiring.**

Failure to follow this instruction may result in fire.

- Do not disassemble or modify the unit.**

Failure to follow this instruction may result in fire.

⚠ Caution Failure to follow instructions may result in injury or product damage.

- Use the unit within the rated specifications.**

Failure to follow this instruction may result in fire or product damage.

- Do not short the load.**

Failure to follow this instruction may result in fire.

- Do not use the unit near the place where there is the equipment which generates strong magnetic force or high frequency noise and strong alkaline, strong acidic exists.**

Failure to follow this instruction may result in product damage.

Cautions during Use

- Follow instructions in 'Cautions during Use'. Otherwise, it may cause unexpected accidents.
- 5 VDC≐, 15 VDC≐ power supply should be insulated and limited voltage / current or Class 2, SELV power supply device.
- For using the unit with the equipment which generates noise (switching regulator, inverter, servo motor, etc.), ground the shield wire to the F.G. terminal.
- Ground the shield wire to the F.G. terminal.
- When supplying power with SMPS, ground the F.G. terminal and connect the noise canceling capacitor between the 0 V and F.G. terminals.
- Wire as short as possible and keep away from high voltage lines or power lines, to prevent inductive noise.
- For Line driver unit, use the twisted pair wire which is attached seal and use the receiver for RS-422A communication.
- Check the wire type and response frequency when extending wire because of distortion of waveform or residual voltage increment etc. by line resistance or capacity between lines.
- This unit may be used in the following environments.
 - Indoors (in the environment condition rated in 'Specifications')
 - Altitude max. 2,000 m
 - Pollution degree 2
 - Installation category II

Cautions during Installation

- Install the unit correctly with the usage environment, location, and the designated specifications.
- When fixing the product with a wrench, tighten under 0.15 N m.
- Do not apply tensile strength over 30 N to the cable.

Ordering Information

This is only for reference, the actual product does not support all combinations. For selecting the specified model, follow the Autonics website.

E88 H 30 - 1024 - ① - ② - ③

① Output phase

2: A, B
6: A, \bar{A} , B, \bar{B} , Z, \bar{Z}

② Power supply

5: 5 VDC≐ ±5%
15: 15 VDC≐ ±5%

③ Control output

No mark: Complemental output
L: Line driver output

Product Components

- Product (+ bracket)
- Bolt × 4
- Instruction manual

Connections

- Unused wires must be insulated.
- The metal case and shield cable of encoders must be grounded (F.G.).
- F.G. (Frame Ground) must be grounded separately.
- Since exclusive driver IC is used for output circuit, be aware of short circuits when wiring each output wires.

■ Complemental output

Color	Function	Color	Function
Green	OUT A	Red	+V
Orange	A GND	Black	GND
Yellow	OUT B	Clear	F.G.
White	B GND	—	—

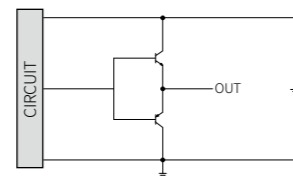
■ Line driver output

Color	Function	Color	Function
Green	OUT A	Gray	OUT Z
Orange	OUT \bar{A}	Pink	OUT \bar{Z}
Yellow	OUT B	Red	+V
White	OUT \bar{B}	Black	GND
—	—	Clear	F.G.

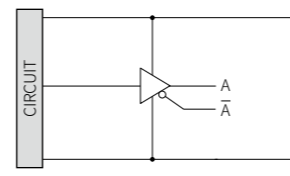
Inner Circuit

- Output circuits are identical for all output phase.

■ Complemental output



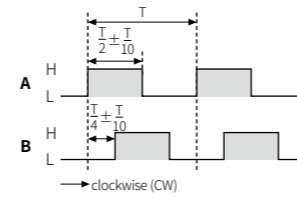
■ Line driver output



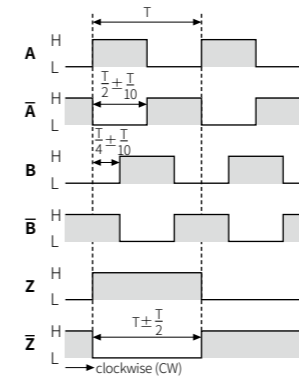
Output Waveform

- The rotation direction is based on facing the shaft, and it is clockwise (CW) when rotating to the right.
- Phase difference between A and B: $\frac{T}{4} \pm \frac{T}{10}$ (T = 1 cycle of A)

■ Complemental output



■ Line driver output



Specifications

Model	E88H30-1024-2-15	E88H30-1024-2-L-5
Resolution	1,024 PPR	
Control output	Complemental output	Line driver output
Output phase	A, B	A, \bar{A} , B, \bar{B} , Z, \bar{Z}
Inflow current	≤ 15 mA	≤ 20 mA
Residual voltage	≤ 2.0 VDC≐	≤ 0.5 VDC≐
Outflow current	≤ 15 mA	≤ -20 mA
Output voltage	≥ 10 VDC≐	≥ 2.5 VDC≐
Response speed	≤ 1 μs ⁽⁰¹⁾	≤ 0.5 μs ⁽⁰²⁾
Max. response freq.	150 kHz	
Max. allowable revolution⁽⁰³⁾	3,600 rpm	
Starting torque	≤ 0.06 N m	
Inertia moment	≤ 800 g · cm ² (8 × 10 ⁻⁵ kg · m ²)	
Allowable shaft load	Radial: ≤ 5 kgf, Thrust: ≤ 2.5 kgf	
Unit weight	≈ 1.45 kg (≈ 1.49 kg)	
Approval	CE ERI	ERI

(01) Based on cable length: 8 m, load resistance: 1 kΩ

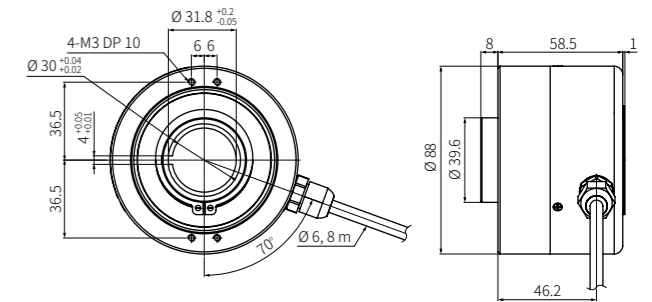
(02) Based on cable length: 8 m, I sink: 20 mA

(03) Select resolution to satisfy Max. allowable revolution ≥ Max. response revolution
 (max. response revolution (rpm) = $\frac{\text{max. response frequency}}{\text{resolution}} \times 60 \text{ sec}$)

Model	E88H30-1024-2-15	E88H30-1024-2-L-5
Power supply	15 VDC≐ ± 5% (ripple P-P: ≤ 5%)	5 VDC≐ ± 5% (ripple P-P: ≤ 5%)
Current consumption	≤ 60 mA (no load)	≤ 50 mA (no load)
Insulation resistance	Between all terminals and case: ≥ 100 MΩ (500 VDC≐ megger)	
Dielectric strength	Between all terminals and case: 750 VAC ~ 50 / 60 Hz for 1 minute	
Vibration	1 mm double amplitude at frequency 10 to 55 Hz (for 1 minute) in each X, Y, Z direction for 2 hours	
Shock	≤ 100 G	
Ambient temp.	-10 to 70 °C, storage: -25 to 85 °C (no freezing or condensation)	
Ambient humi.	35 to 85%RH, storage: 35 to 90%RH (no freezing or condensation)	
Protection rating	IP50 (IEC standard)	
Connection	Radial cable type	
Cable spec.	Ø 6 mm, 6-wire (Line driver output: 8-wire), 8 m, shield cable	
Wire spec.	AWG24 (0.16 mm, 11-core), insulator diameter: Ø 1 mm	AWG24 (0.08 mm, 40-core), insulator diameter: Ø 1 mm

Dimensions

- Unit: mm, For the detailed drawings, follow the Autonics website.



■ Bracket

