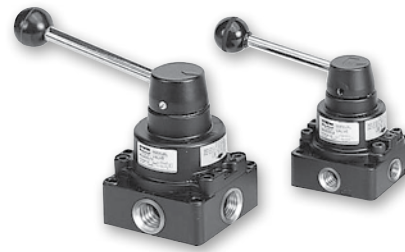


Features

- Compact and simple design
- Rotary disc, direct operated valves
- Side porting
- Detent action smooth lever actuation
- General pneumatic applications



Lubrication

Filtered and lubricated air recommended for maximum valve life and minimum maintenance.

Operating information

Operating pressure: 0 to 150 PSI (0 to 10 bar)

Temperature range: 32°F to 166°F (0°C to 60°C)

Lubrication: Filtered and lubricated air recommended for maximum valve life and minimum maintenance.

Material specifications

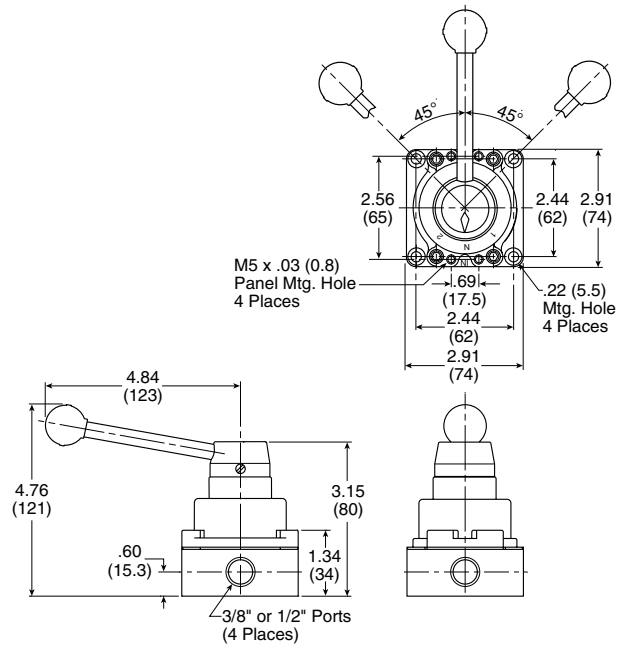
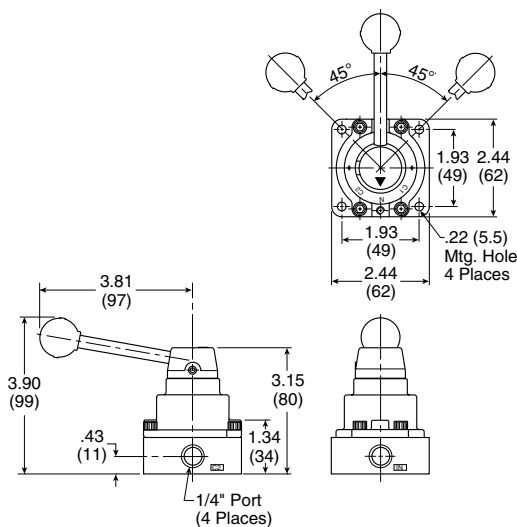
Cover	Zinc
Body	Aluminum
Seals	Polyurethane

HV Valve Series

Symbol	Port size	Description	Cv (ANSI)	Cv (JIS)	Part number
	1/4" NPT	4-way, 3-position	0.5	0.4	HVN4200-8
	3/8" NPT	4-way, 3-position	1.4	2.72	HVN4400-10
	1/2" NPT	4-way, 3-position	1.5	3.26	HVN4400-15

Service kits

Description	Valve size	Part number
Disk & seal service kits	HV4200	HVRK420001
	HV4400	HVRK440001



HVN4200-8

HVN4400-10, 15

Most popular. For technical information see CD

