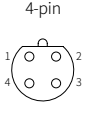
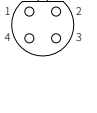
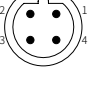
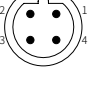


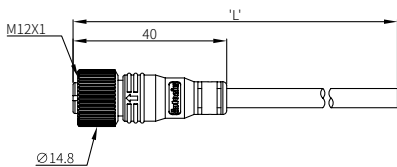
# M8/M12 Connector Cable

M12 Connector 4-Pin															
Power	Connector 1		Connector 2	Wire spec.	Connection	Length	Feature	Application	Model						
AC	M12 (Socket-Female)		2-wire	AWG 22 (0.08 mm, 60-core), Insulator diameter: Ø1.3 mm	<table border="1"> <tr> <th>Pin no.</th> <th>Wiring</th> </tr> <tr> <td>1</td> <td>→ Brown</td> </tr> <tr> <td>4</td> <td>→ Blue</td> </tr> </table>	Pin no.	Wiring	1	→ Brown	4	→ Blue	2 m	PVC	Photoelectric sensors / Proximity sensors / Safety door switches	CIA2-2
						Pin no.	Wiring								
	1	→ Brown													
	4	→ Blue													
	5 m	Oil resistant PVC	CIA2-5												
	M12 (Socket-Female), L type		2-wire	AWG 22 (0.08 mm, 60-core), Insulator diameter: Ø1.3 mm	<table border="1"> <tr> <th>Pin no.</th> <th>Wiring</th> </tr> <tr> <td>2</td> <td>→ Blue</td> </tr> <tr> <td>3</td> <td>→ Blue</td> </tr> </table>	Pin no.	Wiring	2	→ Blue	3	→ Blue	2 m	PVC		CIAH2-2
						Pin no.	Wiring								
	2	→ Blue													
	3	→ Blue													
	5 m	Oil resistant PVC	CIAH2-5												
	M12 (Plug-Male)		2-wire	AWG 22 (0.08 mm, 60-core), Insulator diameter: Ø1.3 mm	<table border="1"> <tr> <th>Pin no.</th> <th>Wiring</th> </tr> <tr> <td>1</td> <td>→ Brown</td> </tr> <tr> <td>4</td> <td>→ Blue</td> </tr> </table>	Pin no.	Wiring	1	→ Brown	4	→ Blue	2 m	PVC		CLA2-2
						Pin no.	Wiring								
1	→ Brown														
4	→ Blue														
5 m	Oil resistant PVC	CLA2-3													
M12 (Plug-Male), L type		2-wire	AWG 22 (0.08 mm, 60-core), Insulator diameter: Ø1.3 mm	<table border="1"> <tr> <th>Pin no.</th> <th>Wiring</th> </tr> <tr> <td>2</td> <td>→ Blue</td> </tr> <tr> <td>3</td> <td>→ Blue</td> </tr> </table>	Pin no.	Wiring	2	→ Blue	3	→ Blue	2 m	PVC	CLA2-5		
					Pin no.	Wiring									
2	→ Blue														
3	→ Blue														
5 m	Oil resistant PVC	CLA2-2													
						2 m	PVC		CLAH2-2						
						5 m	Oil resistant PVC		CLAH2-5						
						2 m	PVC		CIA2-2P						
						5 m	Oil resistant PVC		CIA2-5P						
						2 m	PVC		CIAH2-2P						
						5 m	Oil resistant PVC		CIAH2-5P						
						2 m	PVC		CLA2-2P						
						5 m	Oil resistant PVC		CLA2-5P						
						2 m	PVC		CLAH2-2P						
						5 m	Oil resistant PVC		CLAH2-5P						

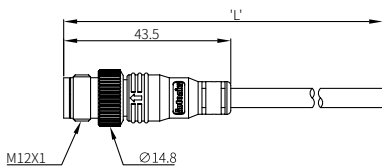
■ Dimensions

- Unit: mm, For the detailed drawings, follow the Autonics website.
- Cable thickness is different by cable material. (PVC: Ø 5 mm / Oil resistant PVC: Ø 6 mm)

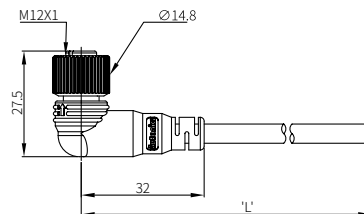
• Socket-Female



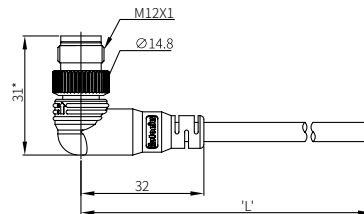
• Plug-Male



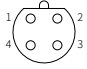
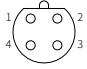
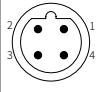
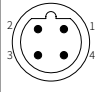
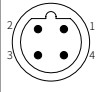
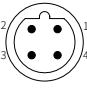
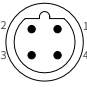
• Socket-Female, L type



• Plug-Male, L type



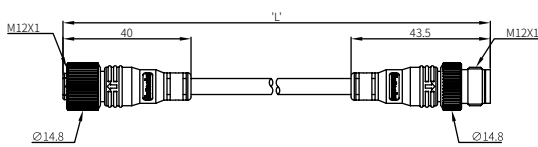
\* Oil resistant PVC Model: 31.3

Power	Connector 1	Connector 2	Connection	Length	Feature	Application	Model										
AC	M12 (Socket-Female)	M12 (Plug-Male)	<table border="1"> <tr> <th>Connector 1 Pin no.</th> <th>Connector 2 Pin no.</th> </tr> <tr> <td>2</td> <td>2</td> </tr> <tr> <td>3</td> <td>3</td> </tr> <tr> <td>1</td> <td>1</td> </tr> <tr> <td>4</td> <td>4</td> </tr> </table>	Connector 1 Pin no.	Connector 2 Pin no.	2	2	3	3	1	1	4	4	2 m	PVC	Photoelectric sensors/ Proximity sensors/ Safety door switches	C1A4-2
	Connector 1 Pin no.	Connector 2 Pin no.															
	2	2															
	3	3															
	1	1															
	4	4															
	M12 (Socket-Female), L type	4-pin 		M12 (Plug-Male), L type	5 m	C1A4-5											
				M12 (Plug-Male), L type	2 m	C2A4-2											
	M12 (Socket-Female)	4-pin 		M12 (Plug-Male), L type	5 m	C2A4-5											
	M12 (Socket-Female), L type			M12 (Plug-Male)	2 m	C3A4-2											
M12 (Plug-Male)	4-pin 	M12 (Plug-Male)	<table border="1"> <tr> <th>Connector 1 Pin no.</th> <th>Connector 2 Pin no.</th> </tr> <tr> <td>2</td> <td>2</td> </tr> <tr> <td>3</td> <td>3</td> </tr> <tr> <td>1</td> <td>1</td> </tr> <tr> <td>4</td> <td>4</td> </tr> </table>	Connector 1 Pin no.	Connector 2 Pin no.	2	2	3	3	1	1	4	4	5 m	C3A4-5		
				Connector 1 Pin no.	Connector 2 Pin no.												
2	2																
3	3																
1	1																
4	4																
M12 (Plug-Male)	4-pin 	M12 (Plug-Male)	<table border="1"> <tr> <th>Connector 1 Pin no.</th> <th>Connector 2 Pin no.</th> </tr> <tr> <td>2</td> <td>2</td> </tr> <tr> <td>3</td> <td>3</td> </tr> <tr> <td>1</td> <td>1</td> </tr> <tr> <td>4</td> <td>4</td> </tr> </table>	Connector 1 Pin no.	Connector 2 Pin no.	2	2	3	3	1	1	4	4	2 m	C4A4-2		
				Connector 1 Pin no.	Connector 2 Pin no.												
2	2																
3	3																
1	1																
4	4																
M12 (Plug-Male)	4-pin 	M12 (Plug-Male)	<table border="1"> <tr> <th>Connector 1 Pin no.</th> <th>Connector 2 Pin no.</th> </tr> <tr> <td>2</td> <td>2</td> </tr> <tr> <td>3</td> <td>3</td> </tr> <tr> <td>1</td> <td>1</td> </tr> <tr> <td>4</td> <td>4</td> </tr> </table>	Connector 1 Pin no.	Connector 2 Pin no.	2	2	3	3	1	1	4	4	5 m	C4A4-5		
				Connector 1 Pin no.	Connector 2 Pin no.												
2	2																
3	3																
1	1																
4	4																
M12 (Plug-Male)	4-pin 	M12 (Plug-Male)	<table border="1"> <tr> <th>Connector 1 Pin no.</th> <th>Connector 2 Pin no.</th> </tr> <tr> <td>2</td> <td>2</td> </tr> <tr> <td>3</td> <td>3</td> </tr> <tr> <td>1</td> <td>1</td> </tr> <tr> <td>4</td> <td>4</td> </tr> </table>	Connector 1 Pin no.	Connector 2 Pin no.	2	2	3	3	1	1	4	4	2 m	C1A4-2P		
				Connector 1 Pin no.	Connector 2 Pin no.												
2	2																
3	3																
1	1																
4	4																
M12 (Plug-Male)	4-pin 	M12 (Plug-Male)	<table border="1"> <tr> <th>Connector 1 Pin no.</th> <th>Connector 2 Pin no.</th> </tr> <tr> <td>2</td> <td>2</td> </tr> <tr> <td>3</td> <td>3</td> </tr> <tr> <td>1</td> <td>1</td> </tr> <tr> <td>4</td> <td>4</td> </tr> </table>	Connector 1 Pin no.	Connector 2 Pin no.	2	2	3	3	1	1	4	4	5 m	C1A4-5P		
				Connector 1 Pin no.	Connector 2 Pin no.												
2	2																
3	3																
1	1																
4	4																

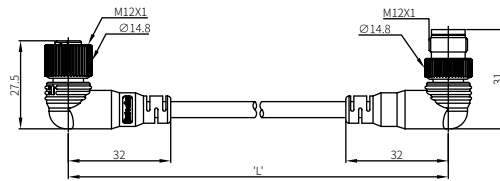
## ■ Dimensions

- Unit: mm, For the detailed drawings, follow the Autonics website.
- Cable thickness is different by cable material. (PVC:  $\varnothing$  5 mm / Oil resistant PVC:  $\varnothing$  6 mm)

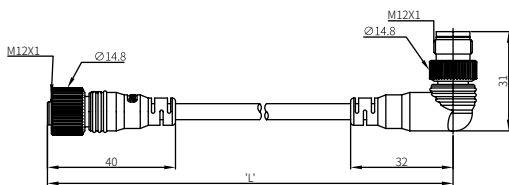
### • Socket-Female : Plug-Male



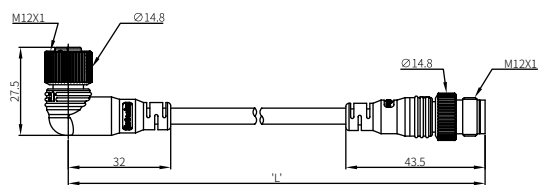
### • Socket-Female, L type : Plug-Male, L type



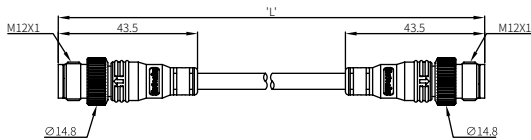
### • Socket-Female : Plug-Male, L type




### • Socket-Female, L type : Plug-Male



### • Plug-Male : Plug-Male



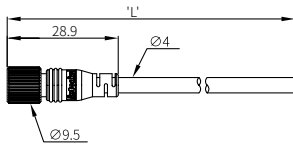
## M8 Connector 4-Pin

Power	Connector 1	Connector 2	Wire spec.	Connection	Length	Feature	Application	Model		
DC	M8 (Socket-Female)	 4-pin	4-wire	AWG 22 (0.08 mm, 60-core), Insulator diameter: Ø1.65 mm	Pin no.	Wiring	Photoelectric sensors/ Proximity sensors	CID408-2		
					1	→ Brown		2 m	PVC	CID408-5
					2	→ White		5 m	Oil resistant PVC	CIDH408-2
					3	→ Blue		2 m		CLD408-2
					4	→ Black		5 m	PVC	CIDH408-5
			2 m	Oil resistant PVC	CLD408-5					
			5 m		CLDH408-2					
						2 m			CLDH408-2	
						5 m			CLDH408-5	

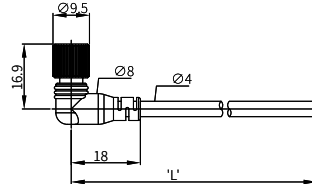
### ■ Dimensions

- Unit: mm, For the detailed drawings, follow the Autonics website.
- Cable thickness is different by cable material. (PVC: Ø 4 mm / Oil resistant PVC: Ø 6 mm)


#### • Socket-Female



#### • Socket-Female, L type



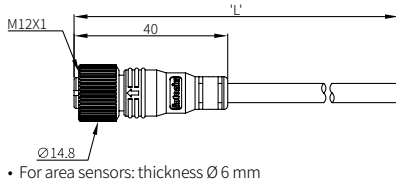


Power	Connector 1	Connector 2	Wire spec.	Connection	Length	Feature	Application	Model											
DC	M12 (Socket-Female)	 4-pin	4-wire	AWG 22 (0.08 mm, 60-core), Insulator diameter: Ø1.25 mm	<table border="1"> <thead> <tr> <th>Pin no.</th> <th>Wiring</th> </tr> </thead> <tbody> <tr> <td>1</td> <td>→ Brown</td> </tr> <tr> <td>2</td> <td>→ White</td> </tr> <tr> <td>3</td> <td>→ Blue</td> </tr> <tr> <td>4</td> <td>→ Black</td> </tr> </tbody> </table>	Pin no.	Wiring	1	→ Brown	2	→ White	3	→ Blue	4	→ Black	3 m	Black (transmitter) Gray (receiver)	Area sensors BW Series / BWC Series	CID4-3T
						Pin no.	Wiring												
						1	→ Brown												
						2	→ White												
						3	→ Blue												
						4	→ Black												
						5 m	Black (transmitter) Gray (receiver)	CID4-3R											
							Black (transmitter) Gray (receiver)	CID4-5T											
7 m	Black (transmitter) Gray (receiver)	CID4-5R																	
	Black (transmitter) Gray (receiver)	CID4-7T																	
10 m	Black (transmitter) Gray (receiver)	CID4-7R																	
	Black (transmitter) Gray (receiver)	CID4-10T																	
15 m	Black (transmitter) Gray (receiver)	CID4-10R																	
	Black (transmitter) Gray (receiver)	CID4-15T																	
								CID4-15R											

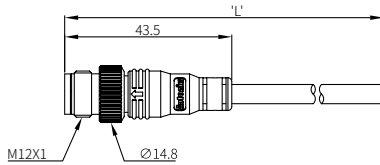
### ■ Dimensions

- Unit: mm, For the detailed drawings, follow the Autonics website.
- Cable thickness is different by cable material. (PVC: Ø 5 mm / Oil resistant PVC: Ø 6 mm)

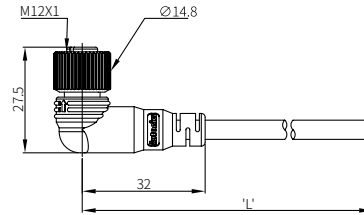
#### • Socket-Female



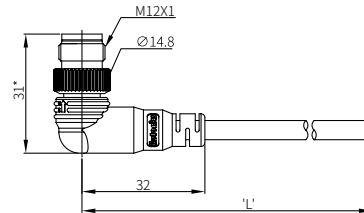
#### • Plug-Male



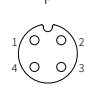
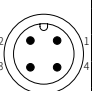
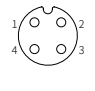
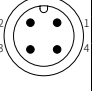
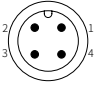
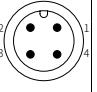
#### • Socket-Female, L type



#### • Plug-Male, L type



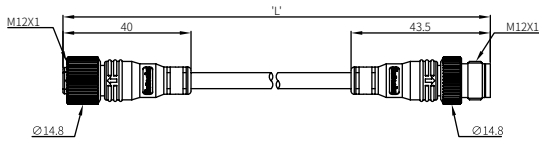
\* Oil resistant PVC model: 31.3

Power	Connector 1	Connector 2	Connection	Length	Feature	Application	Model		
DC	M12 (Socket-Female)	M12 (Plug-Male) 4-pin 	M12 (Plug-Male) 4-pin 	Connector 1 Pin no. → Connector 2 Pin no.	2 m	PVC	C1D4-2		
	M12 (Socket-Female), L type			M12 (Plug-Male), L type	1 → 1		5 m	C1D4-5	
	M12 (Socket-Female)			M12 (Plug-Male), L type	2 →		2 m	C2D4-2	
	M12 (Socket-Female), L type			M12 (Plug-Male)	3 → 3		5 m	C2D4-5	
			4 → 4	2 m	C3D4-2				
				5 m	C3D4-5				
				2 m	C4D4-2				
				5 m	C4D4-5				
	M12 (Socket-Female)	M12 (Plug-Male) 4-pin 	M12 (Plug-Male) 4-pin 		1 m		Oil resistant PVC	C1DH4-1	
	M12 (Socket-Female), L type			M12 (Plug-Male), L type	Connector 1 Pin no. → Connector 2 Pin no.			3 m	C1DH4-3
	M12 (Socket-Female)			M12 (Plug-Male), L type	M12 (Plug-Male), L type	1 → 1		5 m	C1DH4-5
						2 → 2		7 m	C1DH4-7
						3 → 3		1 m	C2DH4-1
						4 → 4		3 m	C2DH4-3
								5 m	C2DH4-5
								7 m	C2DH4-7
	M12 (Socket-Female), L type	M12 (Plug-Male)		1 m	C3DH4-1				
				3 m	C3DH4-3				
				5 m	C3DH4-5				
				7 m	C3DH4-7				
			1 m	C4DH4-1					
			3 m	C4DH4-3					
			5 m	C4DH4-5					
			7 m	C4DH4-7					
M12 (Plug-Male)	M12 (Plug-Male) 4-pin 	M12 (Plug-Male) 4-pin 	Connector 1 Pin no. → Connector 2 Pin no.	2 m	PVC	C1D4-2P			
				1 → 1 2 → 2 3 → 3 4 → 4		5 m	C1D4-5P		

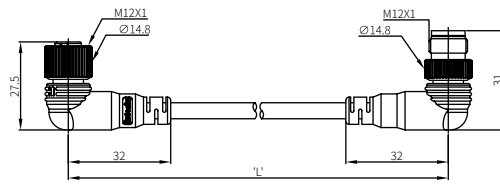
### ■ Dimensions

- Unit: mm, For the detailed drawings, follow the Autonics website.
- Cable thickness is different by cable material. (PVC: Ø 5 mm / Oil resistant PVC: Ø 6 mm)

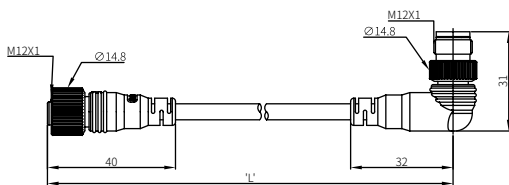
#### • Socket-Female : Plug-Male



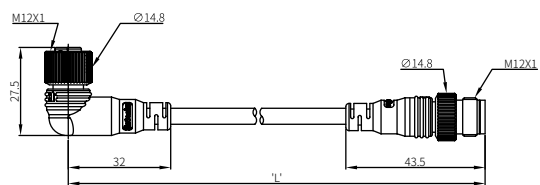
#### • Socket-Female, L type : Plug-Male, L type



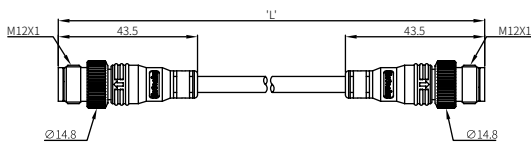
#### • Socket-Female : Plug-Male, L type



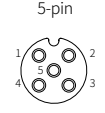
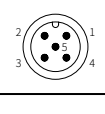
#### • Socket-Female, L type : Plug-Male



#### • Plug-Male : Plug-Male



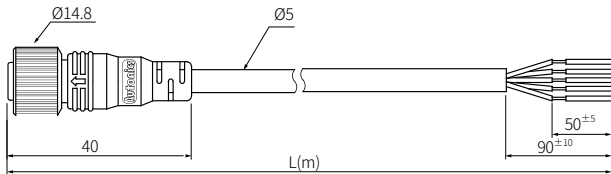
## M12 Connector 5-Pin

Power	Connector 1		Connector 2	Wire spec.	Connection	Length	Feature	Application	Model												
DC	M12 (Socket-Female)		5-wire	AWG 26 (0.08 mm, 28-core), Insulator diameter: Ø0.74 mm	<table border="1"> <thead> <tr> <th>Pin no.</th> <th>Wiring</th> </tr> </thead> <tbody> <tr> <td>1</td> <td>→ Brown</td> </tr> <tr> <td>2</td> <td>→ White</td> </tr> <tr> <td>3</td> <td>→ Blue</td> </tr> <tr> <td>4</td> <td>→ Black</td> </tr> <tr> <td>5</td> <td>→ Yellow</td> </tr> </tbody> </table>	Pin no.	Wiring	1	→ Brown	2	→ White	3	→ Blue	4	→ Black	5	→ Yellow	1 m	PVC	Safety non-contact door switches	CID5-1
						Pin no.	Wiring														
						1	→ Brown														
						2	→ White														
						3	→ Blue														
						4	→ Black														
						5	→ Yellow														
	2 m	CID5-2																			
	3 m	CID5-3																			
	5 m	CID5-5																			
	7 m	CID5-7																			
	M12 (Plug-Male)		1 m	CID5-1P																	
			2 m	CID5-2P																	
			3 m	CID5-3P																	
5 m			CID5-5P																		
7 m			CID5-7P																		

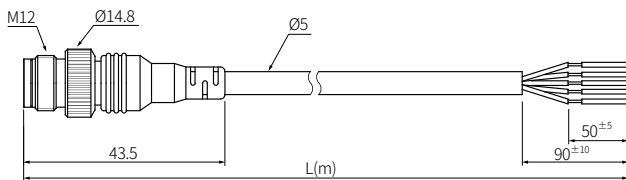
### ■ Dimensions

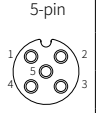
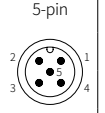
• Unit: mm, For the detailed drawings, follow the Autonics website.

#### • Socket-Female



#### • Plug-Male

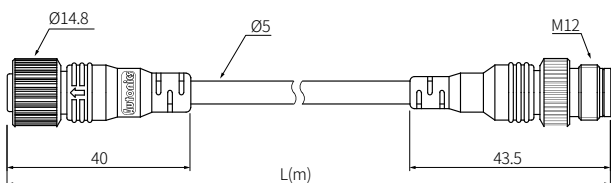


Power	Connector 1		Connector 2	Connection	Length	Feature	Application	Model													
DC	M12 (Socket-Female)		M12 (Plug-Male)		<table border="1"> <thead> <tr> <th>Connector 1 Pin no.</th> <th>Connector 2 Pin no.</th> </tr> </thead> <tbody> <tr> <td>1</td> <td>→ 1</td> </tr> <tr> <td>2</td> <td>→ 2</td> </tr> <tr> <td>3</td> <td>→ 3</td> </tr> <tr> <td>4</td> <td>→ 4</td> </tr> <tr> <td>5</td> <td>→ 5</td> </tr> </tbody> </table>	Connector 1 Pin no.	Connector 2 Pin no.	1	→ 1	2	→ 2	3	→ 3	4	→ 4	5	→ 5	1 m	PVC	Safety non-contact door switches	CID5-1
					Connector 1 Pin no.	Connector 2 Pin no.															
					1	→ 1															
					2	→ 2															
					3	→ 3															
					4	→ 4															
5	→ 5																				
2 m	CID5-2																				
3 m	CID5-3																				
5 m	CID5-5																				
7 m	CID5-7																				

### ■ Dimensions

• Unit: mm, For the detailed drawings, follow the Autonics website.

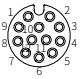
#### • Socket-Female : Plug-Male







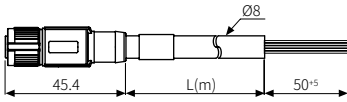
## M12 Connector 12-Pin

Power	Connector 1	Connector 2	Wire spec.	Connection	Length	Application	Model																													
DC	M12 (Socket-Female)	12-pin 	12-wire	AWG 26 (0.1 mm, 18-core), Insulator diameter: Ø1 mm	<table border="1"> <thead> <tr> <th>Pin no.</th> <th>Wiring</th> <th>Pin no.</th> <th>Wiring</th> </tr> </thead> <tbody> <tr> <td>1</td> <td>Brown</td> <td>7</td> <td>Black</td> </tr> <tr> <td>2</td> <td>Blue</td> <td>8</td> <td>Gray</td> </tr> <tr> <td>3</td> <td>White</td> <td>9</td> <td>Red</td> </tr> <tr> <td>4</td> <td>Green</td> <td>10</td> <td>Purple</td> </tr> <tr> <td>5</td> <td>Pink</td> <td>11</td> <td>Gray/Pink</td> </tr> <tr> <td>6</td> <td>Yellow</td> <td>12</td> <td>Red/Blue</td> </tr> </tbody> </table>	Pin no.	Wiring	Pin no.	Wiring	1	Brown	7	Black	2	Blue	8	Gray	3	White	9	Red	4	Green	10	Purple	5	Pink	11	Gray/Pink	6	Yellow	12	Red/Blue	2 m	LiDAR LSC Series / Vision sensors	CID-2-VG
						Pin no.	Wiring	Pin no.	Wiring																											
	1					Brown	7	Black																												
	2					Blue	8	Gray																												
	3					White	9	Red																												
	4					Green	10	Purple																												
	5					Pink	11	Gray/Pink																												
6	Yellow	12	Red/Blue																																	
5 m	CID-5-VG																																			
10 m	CID-10-VG																																			
M12 (Socket-Female), L type	2 m	CLD-2-VG																																		
	5 m	CLD-5-VG																																		
	10 m	CLD-10-VG																																		

### ■ Dimensions

- Unit: mm, For the detailed drawings, follow the Autonics website.
- Cable thickness is different by cable material. (PVC: Ø 5 mm / Oil resistant PVC: Ø 6 mm)

#### • Socket-Female



#### • Socket-Female, L type

