



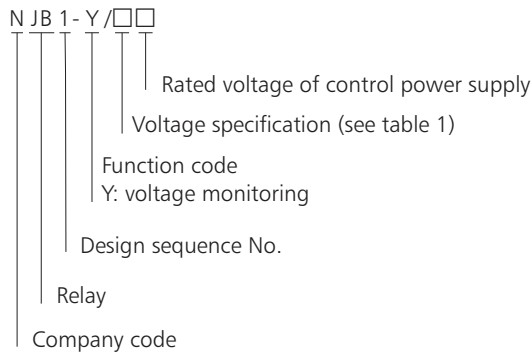
## NJB1-Y Single-Phase Voltage Relay

### 1. General

NJB1-Y single phase voltage relays (hereinafter the relay for short) are applied in AC 220V, 110V, 24V, frequency 50Hz (or 60Hz) and DC 24V control circuits as single phase over-voltage protection or under-voltage protection and indication elements, making or breaking circuits as intended operating values and time.

The product are in compliance with requirements of standard IEC 60947-5-1

### 2. Type designation



Design Consequence number

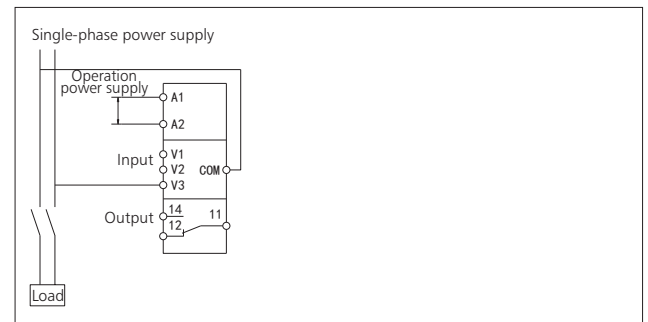
Model	Rated operation power supply	Rated input voltage
NJB1-Y1	DC24V	V1: COM AC/DC 6mV~60mV V2: COM AC/DC 10mV~100mV V3: COM AC/DC 30mV~300mV
	AC24V	
	AC110V	
	AC220V	
NJB1-Y2	DC24V	V1: COM AC/DC 1V~10V V2: COM AC/DC 3V~30V V3: COM AC/DC 15V~150V
	AC24V	
	AC110V	
	AC220V	
NJB1-Y3	DC24V	V1: COM AC/DC 20V~200V V2: COM AC/DC 30V~300V V3: COM AC/DC 60V~600V
	AC24V	
	AC110V	
	AC220V	

### 3. Technical data

Type	NJB1-Y
Protection mode	Over-voltage protection, under-voltage protection
Operating voltage	DC24V; AC220V, AC110V, AC24V, 50Hz
Operation Setting Range	10%~100% of max rated input value
Operation time	0.1s~30s adjustable
Repeating precision	±10% of operation value
Time error	±10% of set value
Input frequency	40Hz~500Hz
Contact number	1 Switching
Contact capacity	Ue/Ie:AC-15 220V/0.75A, 120V/1.5A; Ith:3A
Mechanical Endurance	≤1×10 <sup>6</sup> times
Electrical Endurance	Making 50,000times, breaking 30,000times
Installation mode	Track and Bolts

### 4. Wiring diagram

NJB1-Y



### 5. Overall and mounting dimensions (mm)

NJB1-Y

