

# Series PF5

## Filter 3/4" and 1"

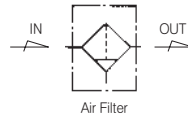


### Standard Specifications

|                                    |  |                |
|------------------------------------|--|----------------|
| Fluid                              | Air  |                |
| Max. Operating Pressure (MPa)      | 1.0(140psi)  |                |
| Proof Pressure (MPa)               | 1.5(200psi)  |                |
| Ambient and Fluid Temperature (°C) | -5~60(23~140°F) (Non-freezing)                       |                |
| Flow Capacity ※                    | 3/4"   | 8,200(290scfm) |
| (N ℓ /min)                         | 1"   | 9,600(339scfm) |
| Bowl Material                      | Polycarbonate  |                |
| Bowl Guard Material                | Nylon  |                |
| Filtration (μm)                    | 5  |                |
| Drain Capacity (cm)                | Manual Drain : 156(5.27oz), Auto Drain : 174(5.88oz) |                |
| Weight (kg)                        | 1.10(2.43lb)   |                |

※ Test conditions : Supply pressure 0.6MPa(90psi), pressure drop 0.07MPa(10psi)

Symbol



### How to Order

**PF 5 — \* 10 B D — \***

Series (Filter Unit) — PF 5

Thread — \*

|       |        |
|-------|--------|
| Blank | Rc(PT) |
| N     | NPT    |
| G     | G(PF)  |

Port Size — 10

|    |     |
|----|-----|
| 06 | 3/4 |
| 10 | 1   |

Other Option

|       |                             |      |                             |
|-------|-----------------------------|------|-----------------------------|
| Blank | Filter element - 5μm        | L    | Life Indicator              |
| J2    | Filter element - 20μm       | R    | Flow direction : Right-Left |
| J4    | Filter element - 40μm       | XC16 | Copper-free                 |
| Q1    | Metal Bowl With/Sight Glass | Q2   | Metal Bowl NO Sight Glass   |

Drain Option

|       |                       |
|-------|-----------------------|
| Blank | Manual Drain          |
| D     | Auto Drain (N.O Type) |

Note1) Min. operating pressure is 0.15MPa(20psi) for Auto Drain (N.O Type)

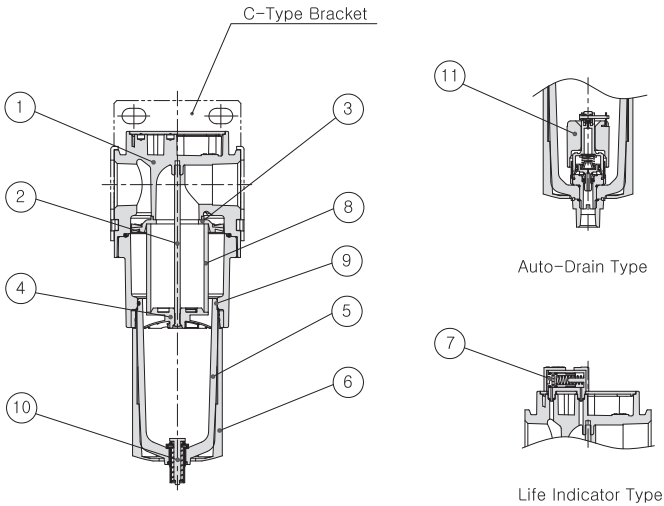
Bracket Option

|       |         |
|-------|---------|
| Blank | None    |
| B     | Bracket |

Note2) Separately packed, Not assembled.

# Series PF5

## Construction



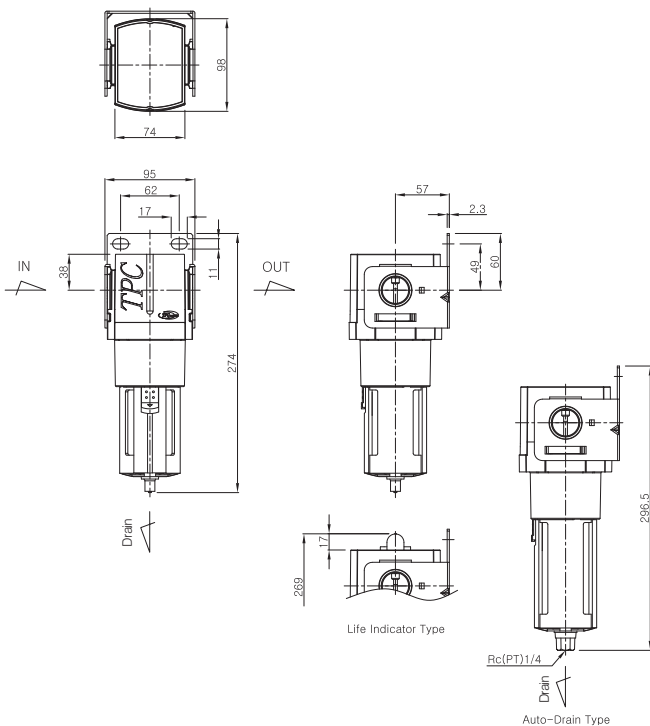
### Main Parts/Parts List

| NO. | Description    | Material      | Remark |
|-----|----------------|---------------|--------|
| ①   | Body           | Aluminum      |        |
| ②   | Baffle Screw   | Rolled Steel  |        |
| ③   | Deflector      | Nylon         |        |
| ④   | Baffle         | Acetal        |        |
| ⑤   | Bowl           | Polycarbonate |        |
| ⑥   | Bowl Guard     | Nylon         |        |
| ⑦   | Life Indicator | -             | Option |

### Replacement Parts/Parts List

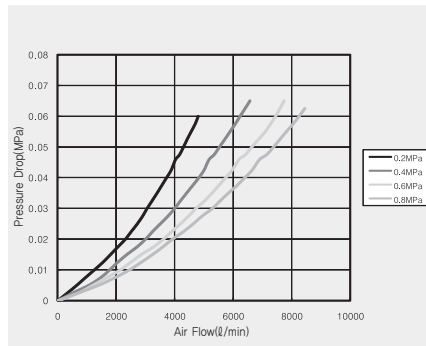
| NO. | Description      | Material     | Part No.         |
|-----|------------------|--------------|------------------|
| ⑧   | Filter Element   | Polyethylene | PF5-24-005-01    |
| ⑨   | Bowl O-ring      | NBR          | TAF4000-08-6000  |
| ⑩   | Drain Ass'y      | -            | TAF3000-10A-6004 |
| ⑪   | Auto Drain Ass'y | -            | TAF3000-04A-6008 |

## Dimensions

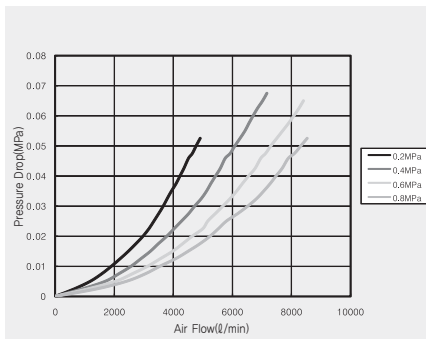


## Flow Characteristics

### ▶ 3/4" PF5



### ▶ 1" PF5



PC2

PF2

PR2

PL2

PP2

PC3

PF3

PR3

PL3

PP3

PC4

PF4

PR4

PL4

PP4

PC5

**PF5**

PR5

PL5

PP5

PFH(U)2~

PFH(U)5

PPH(U)3~

PPH(U)4

PLV

PSH

PCV

MB