

PART5

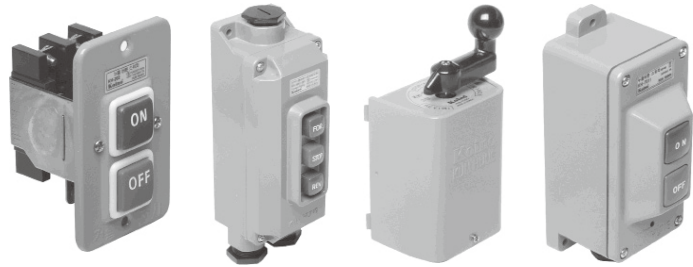
POWER SWITCH



POWER SWITCH

CONTROL COMPONENTS

POWER SWITCHES


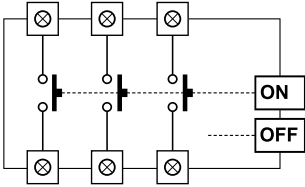
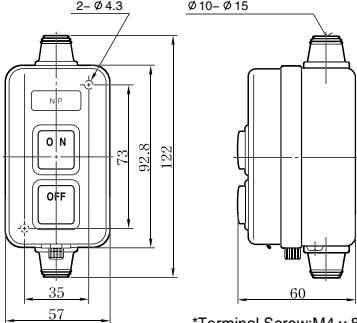

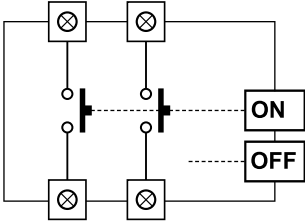
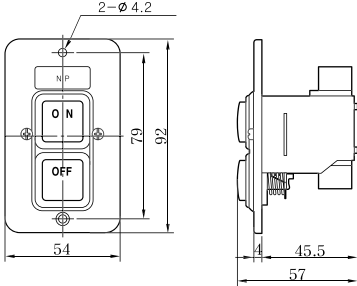

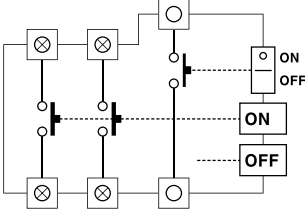
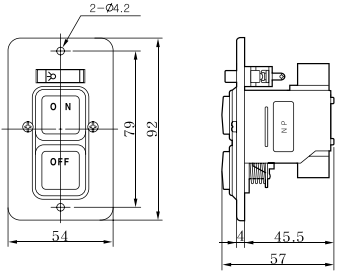

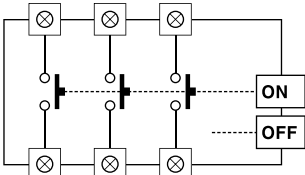
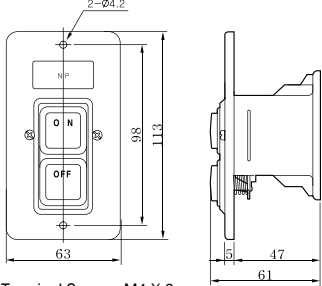


Ratings & Materials

Model	Contact Ratings	Phase	Operation	Use	Protection	Material	Weight	
KH - 201	250VAC 15A	3P	ON/OFF	Motor Starting	IP40	Enclosure: Steel plate Button: Phenol	285g	
	380VAC 10A							
KH - 202	250VAC 10A	2P		Drilling Machine	IP40 (Flush mounting type)	Enclosure: Steel plate Button: Phenol	150g	
	380VAC 7A							
KH - 202 - 1	250VAC 10A	2P						
	380VAC 7A							
KH - 204	250VAC 15A	3P		Sewing Machine	IP40 (Flush mounting type)	Enclosure: Steel plate Button: Phenol	213g	
	380VAC 10A							
KH - 203	250VAC 10A	3P		FOR/ REV	Motor Starting	IP40	Enclosure: ABS Button: Phenol Fixing panel: Steel plate	177g
	380VAC 3A							
KH - 203 - 2	250VAC 10A	2P						
	380VAC 3A							
KH - 3051	250VAC 30A	3P	FOR/ REV	Motor Starting	IP40	Enclosure: Steel plate Button: Phenol	468g	
	380VAC 20A							
KH - 3063	250VAC 30A	3P	FOR/ REV	Motor Starting	IP40	Enclosure: Steel plate Lever: Phenol	576g	
	380VAC 20A							
KH - 306	250VAC 15A	3P	FOR/ REV	Motor Starting	IP40	Enclosure: Steel plate Lever: Phenol	576	
	380VAC 10A							
KH - 205	250VAC 15A	3P	ON/OFF	Electro - Magnetic Switch	IP40 ON/OFF 2 按钮	Enclosure: ABS Button: ABS	86g	
	380VAC 10A							
KH - 205 - 2	250VAC 15A	2P	ON/OFF	Electro - Magnetic Switch	IP40 ON/OFF 3 按钮	Enclosure: ABS Button: ABS	117g	
	380VAC 10A							
KH - 701	250VAC 5A	-	ON/OFF	Electro - Magnetic Switch	IP65 防雨 / 防油	Enclosure: ABS Button: Phenol	328g	
	380VAC 3A							
KH - 703	250VAC 5A	-	ON/OFF	Electro - Magnetic Switch	IP40 ON/OFF 3 按钮	Enclosure: ABS Button: ABS	117g	
	380VAC 3A							
KH - 7011	250VAC 5A	-	ON/OFF	Electro - Magnetic Switch	IP65 防雨 / 防油	Enclosure: ABS Button: Phenol	328g	
	380VAC 3A							

CONTROL COMPONENTS

Circuit Diagram / Dimensions

Model	Circuit Diagram	Dimensions
 <p data-bbox="200 639 295 668">KH-201</p>		 <p data-bbox="1051 664 1223 681">* Terminal Screw: M4 x 8</p>
 <p data-bbox="197 996 295 1025">KH-202</p>		 <p data-bbox="995 996 1223 1039">* Terminal Screw : M4 X 8 Panel Cut Size : 45mm X 66mm</p>
 <p data-bbox="179 1354 295 1383">KH-202-1</p>		 <p data-bbox="872 1344 1097 1387">* Terminal Screw : M4 X 8 Panel Cut Size : 45mm X 66mm</p>
 <p data-bbox="197 1711 295 1740">KH-204</p>		 <p data-bbox="872 1702 1097 1744">* Terminal Screw : M4 X 8 Panel Cut Size : 48mm X 72mm</p>

CONTROL COMPONENTS

MICRO SWITCH

FOOT SWITCH

LIMIT SWITCH


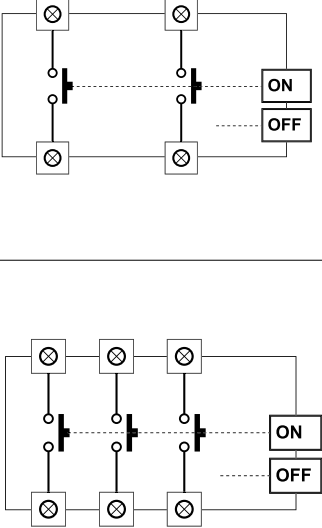
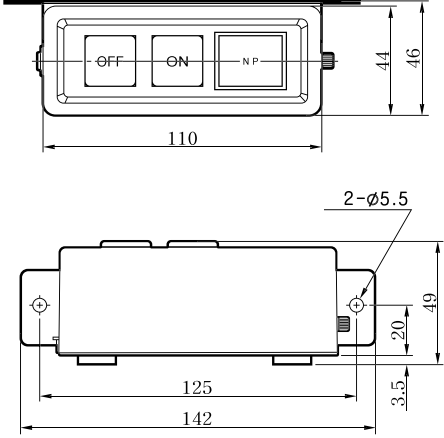

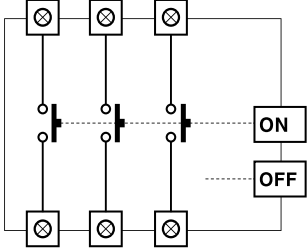
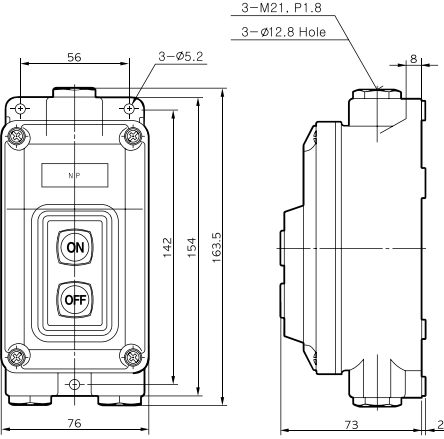
POWER SWITCH

HOIST SWITCH

CAM SWITCH


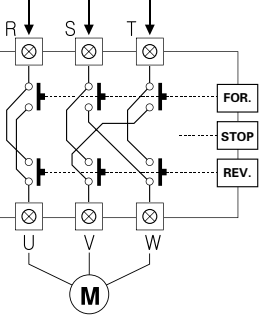
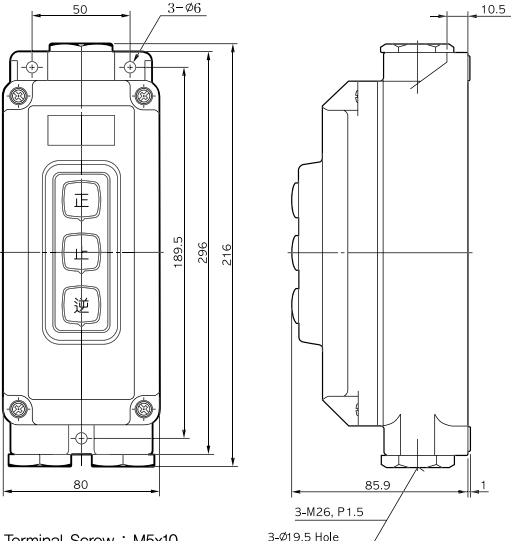
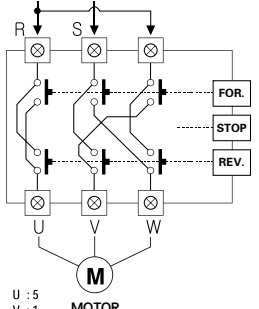
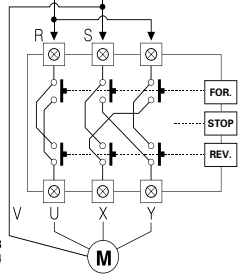
CONTROL COMPONENTS

Circuit Diagram / Dimensions

Model	Circuit Diagram	Dimensions
 <p>KH-203 KH-203-2</p>		 <p>* Terminal Screw : M3.5 X 7</p>
 <p>KH-3051</p>		 <p>* Terminal Screw : M5 X 10</p>

CONTROL COMPONENTS

Circuit Diagram / Dimensions

Model	Circuit Diagram	Dimensions
 <p data-bbox="203 1164 319 1193">KH-3063</p>	<p data-bbox="441 353 613 372">3 phase, 350VAC 380VAC</p>  <p data-bbox="487 710 553 730">MOTOR</p>	 <p data-bbox="728 1155 907 1174">Terminal Screw : M5x10</p>
	<p data-bbox="441 749 588 768">Single phase, 250VAC</p>  <p data-bbox="487 1081 553 1101">MOTOR</p> <p data-bbox="434 1072 560 1120">U : 5 V : 1 X : 4 ② - ③ - ⑥</p>	
	<p data-bbox="461 1168 588 1188">Single phase, 110VAC</p>  <p data-bbox="525 1468 574 1487">MOTOR</p> <p data-bbox="413 1439 454 1497">U : 1.3 V : 2.4 X : 5 Y : 6</p>	

CONTROL COMPONENTS

MICRO SWITCH

FOOT SWITCH

LIMIT SWITCH


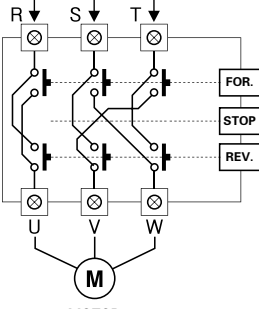
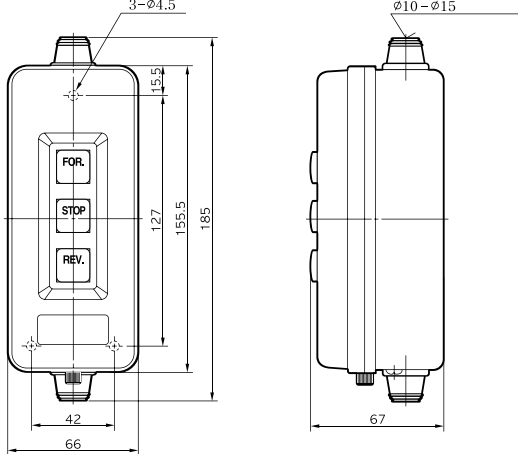
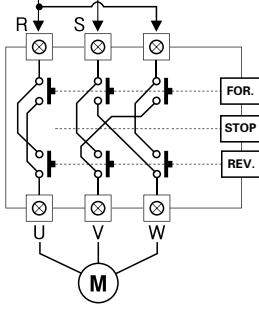
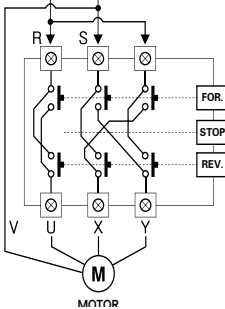
POWER SWITCH

HOIST SWITCH

CAM SWITCH


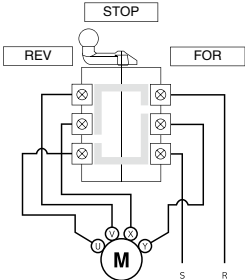
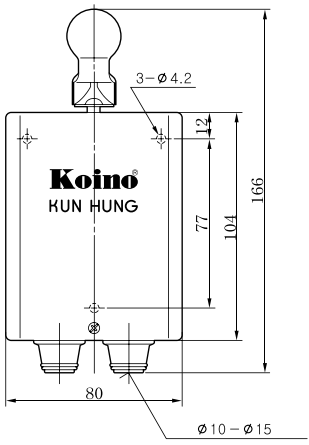
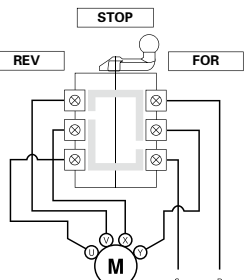
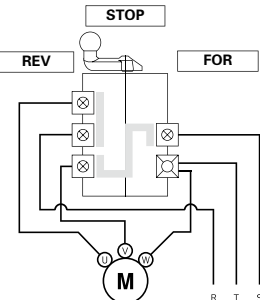
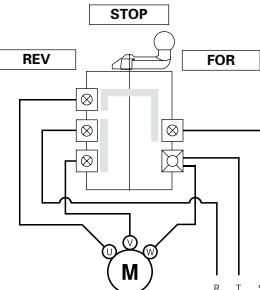
CONTROL COMPONENTS

Circuit Diagram / Dimensions

Model	Circuit Diagram	Dimensions
 <p data-bbox="211 1110 313 1141">KH-306</p>	<p data-bbox="431 353 603 369">3 phase, 350VAC 380VAC</p>  <p data-bbox="482 705 539 720">MOTOR</p>	 <p data-bbox="728 1178 916 1197">* Terminal Screw : M4 X 8</p>
	<p data-bbox="441 749 589 765">Single phase, 250VAC</p>  <p data-bbox="482 1101 539 1116">MOTOR</p>	
	<p data-bbox="468 1159 589 1174">Single phase, 110VAC</p>  <p data-bbox="525 1497 581 1512">MOTOR</p> <p data-bbox="406 1449 448 1506"> U : 1,3 V : 2,4 X : 5 Y : 6 </p>	

CONTROL COMPONENTS

Circuit Diagram / Dimensions

Model	Circuit Diagram	Dimensions
 <p data-bbox="184 1207 315 1265">KH-205 KH-205-2</p>	<p data-bbox="510 343 786 376">KH-205-2, SINGLE PHASE 110VAC MOTOR FORWARD ROTATION</p> 	 <p data-bbox="958 1477 1127 1497">Terminal Screw : M4x8</p>
	<p data-bbox="496 701 777 734">KH-205-2, SINGLE PHASE 110VAC MOTOR REVERSE ROTATION</p> 	
	<p data-bbox="553 1058 721 1091">KH-205 3PHASE MOTOR FORWARD ROTATION</p> 	
	<p data-bbox="553 1416 721 1449">KH-205 3PHASE MOTOR REVERSE ROTATION</p> 	

CONTROL COMPONENTS

MICRO SWITCH

FOOT SWITCH

LIMIT SWITCH


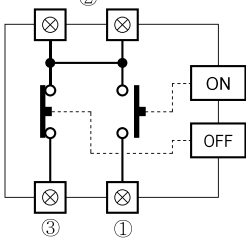
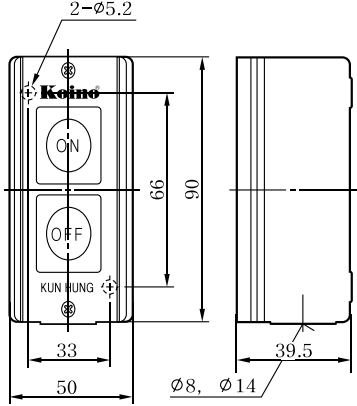

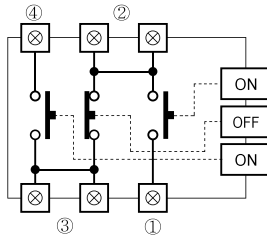
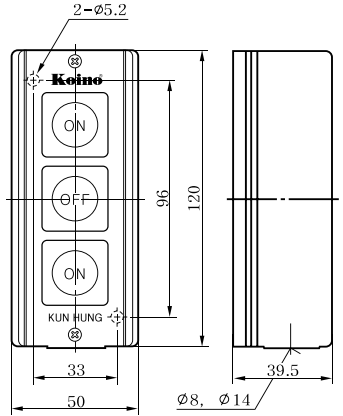

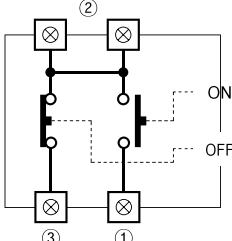
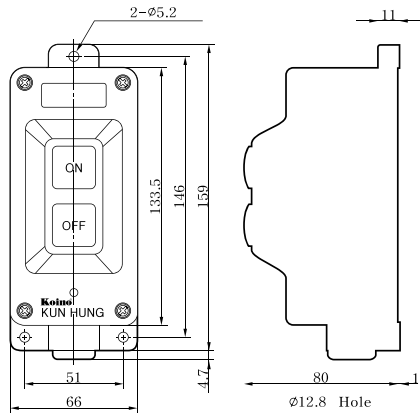
POWER SWITCH

HOIST SWITCH

CAM SWITCH

CONTROL COMPONENTS

Circuit Diagram / Dimensions

Model	Circuit Diagram	Dimensions
 <p data-bbox="203 734 301 763">KH-701</p>		 <p data-bbox="902 782 1120 801">Terminal Screw: M3.5 x 8</p>
 <p data-bbox="203 1246 301 1275">KH-703</p>		 <p data-bbox="902 1255 1120 1275">Terminal Screw: M3.5 x 8</p>
 <p data-bbox="196 1700 308 1729">KH-7011</p>		 <p data-bbox="826 1738 1043 1758">Terminal Screw: M3.5 x 8</p>