

Push-in fitting SUS316

SUS316 Push-in fitting

New

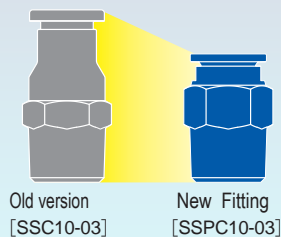


※) These industry icons do not indicate the compliance with laws and regulations or guarantee the product safety in the industry.

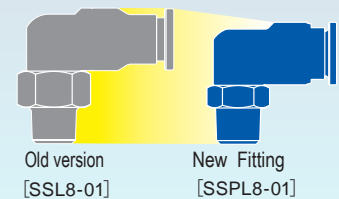


Smaller (compared with Pisco's former models)

Straight fitting



Elbow fitting



Competitive prices

Excellent operability

Tubing removal is now easier by adopting lock-claws.

All materials are oil-free and compliant with Japan Food Sanitation Act.

- ✓ Metal parts → SUS316 with excellent anti-corrosivity
- ✓ Seal rubber → FKM
- ✓ Options → Clean-room packaging / Seal tape / Fluorine grease



Model designation (Example)

SSP

C
①

6
②


-

O1
③

④

⑤

⑥



Clean-room packaging

※) Standard pkg. is without a blue bag.


⑥ .Packaging option

Code	No code	-C
Spec.	Standard pkg.	Clean-room pkg.

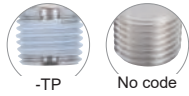
⑤ .Thread sealing option (For taper pipe thread only)

Code	No code	-TP
Spec.	Standard ※1	Seal tape ※2

※1) No Sealock or Seal tape on a thread.
 ※2) Seal tape applied on a thread.
 Seal tape option is not available for Metric thread.



Seal tape spec.



-TP No code

④ .Grease option

Code	No code	-X
Spec.	Oil-free ※1	Fluorine grease ※2

※1) Fluorine coating on seal rubber (FKM)
 ※2) Fluorine grease applied on seal rubber (FKM)

③ .Thread size (In case that ③ indicates tube size, select tube size from table ②.)

	Metric thread	Taper pipe thread			
Code	M5	O1	O2	O3	O4
Size	M5×0.8	R1/8	R1/4	R3/8	R1/2

② .Tubing O.D.

	mm size					
Code	4	6	8	10	12	16
Tube O.D. (mm)	ø4	ø6	ø8	ø10	ø12	ø16

① .Type

Code	Type	Code	Type	Code	Type	Code	Type
C	Straight	OC	Inner Hex. straight	L	Elbow	B	Branch Tee
U	Union straight	G	Unequal Union Straight	V	Union Elbow	E	Union Tee
Y	Union Y	M	Bulkhead Union				

↓

Tube fitting SUS316

Specifications

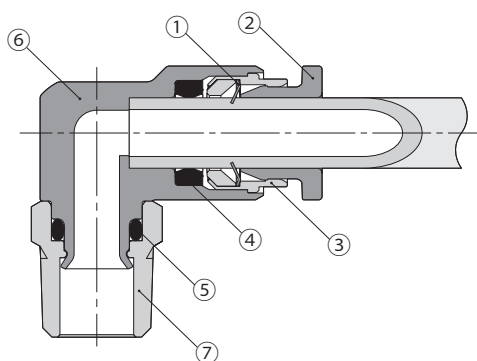
Fluid medium	Air, Water (Conditional ※) ,Other chemicals (Conditional ※)
Max. operating pressure	145psi or 1.0MPa
Max. vacuum	-29.5inHg or -100kPa
Operating temp. range	23 ~ 300°F or -5 ~ 150°C (No freezing)

⚠ Warnings

- ※) Make sure to follow the instructions below when the fluid medium is water or liquid.
- Surge pressure must be controlled lower than max. operating pressure when using water or liquid as a fluid medium.
 - Tap water in Japan free from foreign substances or contamination can be used. Carry out the evaluation under an actual operating condition for using other kind of water.
 - Be sure to place Insert Ring into the tube edge when the tube is inserted into Push-In Fittings with water or liquid as a fluid medium.
 - The specification above may not be applied, depending on the kind of chemicals or mixed gases used as fluid medium. Make sure to use PISCO products after verifying their suitability on the user side.

Construction

Elbow : SSPL



No.	Parts	Material
①	Lock-claws	SUS316
②	Release ring	SUS316(※1)
③	Guide ring	SUS316
④	Elastic sleeve	FKM(※1)
⑤	O-ring	FKM(※1)
⑥	Metallic body	SUS316
⑦	Thread body	SUS316(※2)

※1) Fluorine coated.

※2) Metric thread is equipped with gasket (SUS316+FKM).

No Sealock coat is provided for taper pipe thread.

SAFETY INSTRUCTION MANUAL

⚠ Warnings

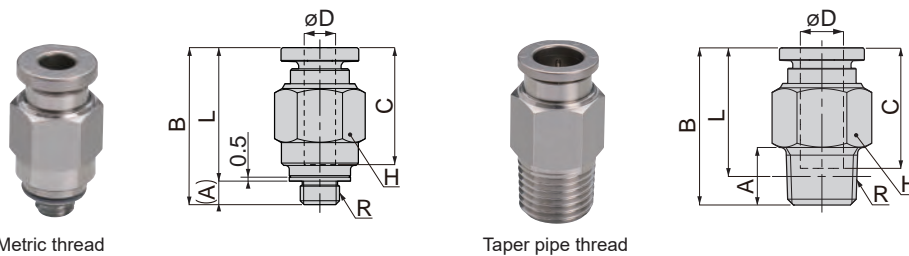
1. Check chemical resistance before using the products, when the fluid medium is chemicals, solvent or mixed gases.
Depending on the conditions, it may cause damage to the products, the escape of tubes, and a fluid leakage.
2. When the fluid medium is water or liquid, do not use Tube Fitting SUS316 unless the operating environment meets all the described specifications in the catalog. Otherwise, it may cause damage to the products, the escape of tubes and a fluid leakage.
3. Be sure to place Insert Ring into the tube edge under following usage conditions:
 - where fluid medium temperature or operating temperature varies sharply.
 - where the product is used under high temperature.
 Otherwise it may cause the escape of tubes and a fluid leakage.

⚠ Cautions

1. Taper thread is not coated with Sealock.
When coating the thread with seal tape or sealant, do not coat 1.5 to 2 screw ridges from the tip of the thread.
2. The level of corrosion and dust emission from the fittings varies by operating conditions.
In case there is a possibility of negative effects on machines or facilities due to these conditions, evaluate the suitability of the products in advance.

Dimensional drawings

SSPC Straight



Metric thread

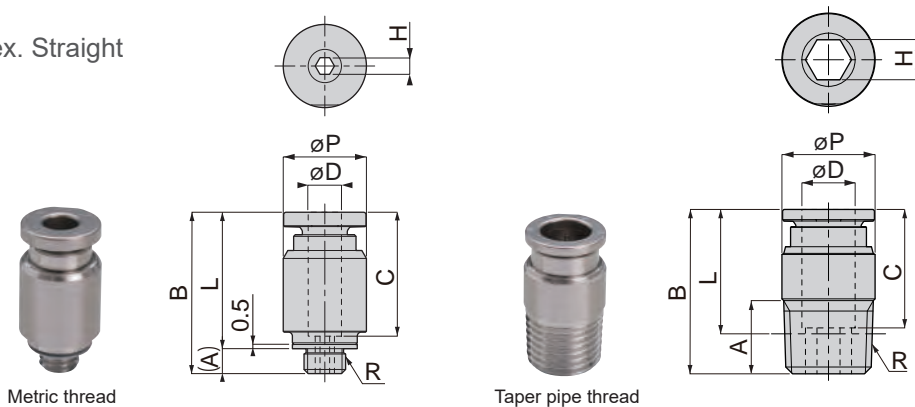
Taper pipe thread

Unit : mm

Model code	Tube O.D. øD	R	A	B	L	Tube end C	Hex. H	Weight (g)	Orifice bore (ømm)
SSPC4-M5 (4) (6)	4	M5×0.8	3	20	17	14.9	10	7	2.4
SSPC4-01 (4) (5) (6)		R1/8	8	17.8	13.8			6.8	
SSPC4-02 (4) (5) (6)		R1/4	11	22.6	16.6		18	3	
SSPC6-M5 (4) (6)	6	M5×0.8	3	22.8	19.8	16.8	12		11
SSPC6-01 (4) (5) (6)		R1/8	8	21.9	17.9			9.8	4.6
SSPC6-02 (4) (5) (6)		R1/4	11	24.9	18.8		18	5	
SSPC6-03 (4) (5) (6)		R3/8	12	25.3	18.9		30		
SSPC8-01 (4) (5) (6)	8	R1/8	8	25.8	21.8	17.8	14	14	6
SSPC8-02 (4) (5) (6)		R1/4	11	28.8	22.8			20	
SSPC8-03 (4) (5) (6)		R3/8	12	24.9	18.6		26		
SSPC10-01 (4) (5) (6)	10	R1/8	8	28.8	24.8	19.7	17	24	6
SSPC10-02 (4) (5) (6)		R1/4	11		22.8			22	
SSPC10-03 (4) (5) (6)		R3/8	12	28.3	22		27	8.5	
SSPC10-04 (4) (5) (6)		R1/2	15	32.1	23.9		54		
SSPC12-02 (4) (5) (6)	12	R1/4	11	35.1	29.1	23.3	21	43	8.5
SSPC12-03 (4) (5) (6)		R3/8	12	31.2	24.9			36	
SSPC12-04 (4) (5) (6)		R1/2	15	33.7	25.5			50	11
SSPC16-03 (4) (5) (6)	16	R3/8	12	37.4	31	24	24	54	11
SSPC16-04 (4) (5) (6)		R1/2	15	39.6	31.4			63	

※) "L" is a reference value for height dimension after tightening a taper pipe thread.

SSPOC Inner Hex. Straight



Metric thread

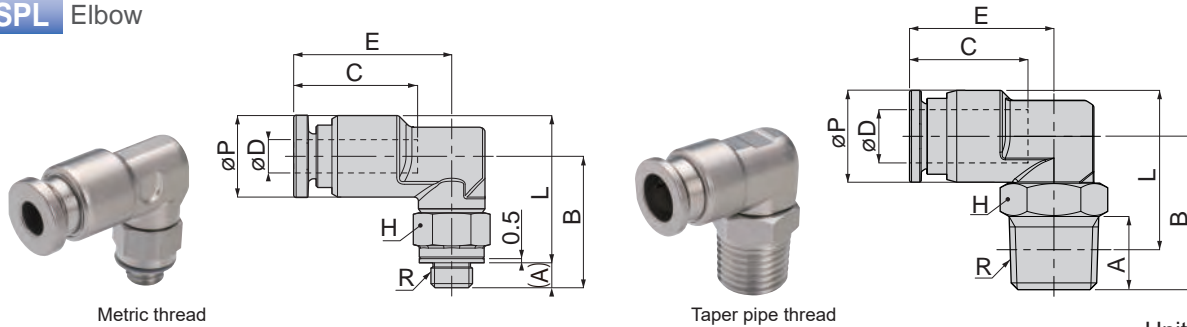
Taper pipe thread

Unit : mm

Model code	Tube O.D. øD	R	A	B	L	øP	Tube end C	Hex. H	Weight (g)	Orifice bore (ømm)
SSPOC4-M5 (4) (6)	4	M5×0.8	3	19.4	16.4	10	14.9	2	7	2.1
SSPOC4-01 (4) (5) (6)		R1/8	8	20	16			2.5	7.8	2.6
SSPOC6-M5 (4) (6)		M5×0.8	3	22.3	19.3			12	16.8	2
SSPOC6-01 (4) (5) (6)	R1/8	8	21.9	17.9	4	15	4.2			
SSPOC6-02 (4) (5) (6)	R1/4	11	22.1	16		14				
SSPOC8-01 (4) (5) (6)	8	R1/8	8	25.8	21.8	14	17.8	5	13	5.3
SSPOC8-02 (4) (5) (6)		R1/4	11	24.7	18.7			6	14	6.3
SSPOC8-03 (4) (5) (6)		R3/8		23.6	17.3				17	
SSPOC10-01 (4) (5) (6)	10	R1/8	8	28.8	24.8	17	19.7	5	21	5.3
SSPOC10-02 (4) (5) (6)		R1/4	11		22.8			22		
SSPOC10-03 (4) (5) (6)		R3/8	11	26.7	20.4			6	25	6.3
SSPOC10-04 (4) (5) (6)		R1/2	15	27.2	19				22	
SSPOC12-02 (4) (5) (6)	12	R1/4	11	35.1	29.1	20	23.3	6	36	6.3
SSPOC12-03 (4) (5) (6)		R3/8	12	31.2	24.9			8	33	8.4
SSPOC12-04 (4) (5) (6)		R1/2	15	31.1	22.9				22	
SSPOC16-03 (4) (5) (6)	16	R3/8	12	37.4	31	24	24	10	48	10.5
SSPOC16-04 (4) (5) (6)		R1/2	15	37	28.8			24	12	49

※) "L" is a reference value for height dimension after tightening a taper pipe thread.

SSPL Elbow



Metric thread

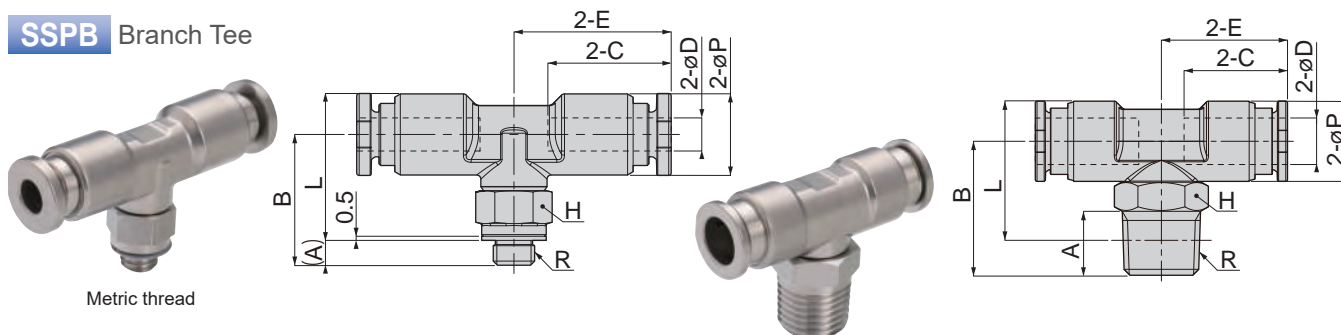
Taper pipe thread

Unit : mm

Model code	Tube O.D. øD	R	A	B	L	øP	Tube end C	E	Hex. H	Weight (g)	Orifice bore (ømm)	
SSPL4-M5④⑤⑥	4	M5×0.8	3	15.8	17.7	9.9	14.9	19	8	12	2.4	
SSPL4-01④⑤⑥		R1/8	8	17	17.9			18.1	10	13	2.5	
SSPL4-02④⑤⑥		R1/4	11	21	19.9			14	20	2.5		
SSPL6-M5④⑤⑥	6	M5×0.8	3	17.2	20.1	11.8	16.8	20.1	8	14	2.4	
SSPL6-01④⑤⑥		R1/8	8	18	19.9			19.7	10	16	4	
SSPL6-02④⑤⑥		R1/4	11	22	21.9				14	23		
SSPL6-03④⑤⑥		R3/8	12	25.5	25.1				17	33		
SSPL8-01④⑤⑥	8	R1/8	8	20	22.9	13.8	17.8	21.7	12	22	5	
SSPL8-02④⑤⑥		R1/4	11	23.1	23.9				14	28	6	
SSPL8-03④⑤⑥		R3/8	12	26.6	27.1				17	37		
SSPL10-01④⑤⑥	10	R1/8	8	21.5	25.9	16.8	19.7	24.6	12	32	5	
SSPL10-02④⑤⑥		R1/4	11	24.5	26.9				24.8	14		34
SSPL10-03④⑤⑥		R3/8	12	28	30.1					17	44	8
SSPL10-04④⑤⑥		R1/2	15	31.5	31.7					21	60	
SSPL12-02④⑤⑥	12	R1/4	11	26	29.9	19.8	23.3	29.2	14	48	8	
SSPL12-03④⑤⑥		R3/8	12	29.5	33.1				29.4	17		59
SSPL12-04④⑤⑥		R1/2	15	33	34.7					21	74	
SSPL16-03④⑤⑥	16	R3/8	12	31.5	37	23.7	24	31.4	17	70	11	
SSPL16-04④⑤⑥		R1/2	15	35	38.7				21	88		13

※) "L" is a reference value for height dimension after tightening a taper pipe thread.

SSPB Branch Tee



Metric thread

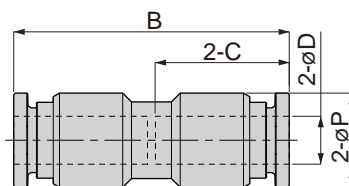
Taper pipe thread

Unit : mm

Model code	Tube O.D. øD	R	A	B	L	øP	Tube end C	E	Hex. H	Weight (g)	Orifice bore (ømm)	
SSPB4-M5④⑤⑥	4	M5×0.8	3	15.8	17.8	9.9	14.9	19	8	17	2.4	
SSPB4-01④⑤⑥		R1/8	8	17	18			18.1	10	18	2.5	
SSPB4-02④⑤⑥		R1/4	11	21	19.9				14	25		
SSPB6-M5④⑤⑥	6	M5×0.8	3	17.2	20.1	11.8	16.8	20.1	8	21	2.4	
SSPB6-01④⑤⑥		R1/8	8	18	19.9			19.7	10	23	4	
SSPB6-02④⑤⑥		R1/4	11	22	21.9				14	29		
SSPB6-03④⑤⑥		R3/8	12	25.5	25.1				17	39		
SSPB8-01④⑤⑥	8	R1/8	8	20	22.9	13.8	17.8	21.7	12	30	5	
SSPB8-02④⑤⑥		R1/4	11	23.1	23.9				17	14		35
SSPB8-03④⑤⑥		R3/8	12	26.6	27.1					17	44	
SSPB10-01④⑤⑥	10	R1/8	8	21.5	25.9	16.8	19.7	24.6	12	45	5	
SSPB10-02④⑤⑥		R1/4	11	24.5	26.9				24.8	14		47
SSPB10-03④⑤⑥		R3/8	12	28	30.1					17	56	8
SSPB10-04④⑤⑥		R1/2	15	31.5	31.7					21	72	
SSPB12-02④⑤⑥	12	R1/4	11	26	29.9	19.8	23.3	29.2	14	72	8	
SSPB12-03④⑤⑥		R3/8	12	29.5	33.1				29.4	17		79
SSPB12-04④⑤⑥		R1/2	15	33	34.7					21	95	
SSPB16-03④⑤⑥	16	R3/8	12	31.5	37	23.7	24	31.4	17	98	11	
SSPB16-04④⑤⑥		R1/2	15	35	38.7				21	113		13

※) "L" is a reference value for height dimension after tightening a taper pipe thread.

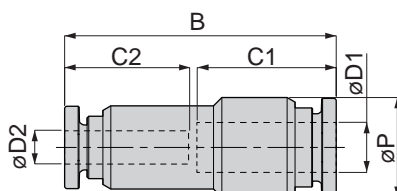
SSPU Union Straight



Unit : mm

Model code	Tube O.D. øD	B	øP	Tube end C	Weight (g)	Orifice bore (ømm)
SSPU4④⑥	4	30.8	9.9	14.9	12	2.5
SSPU6④⑥	6	34.5	11.8	16.8	17	4
SSPU8④⑥	8	36.6	13.8	17.8	22	6
SSPU10④⑥	10	40.4	16.8	19.7	35	7.5
SSPU12④⑥	12	47.6	19.8	23.3	57	10
SSPU16④⑥	16	48.9	23.8	24	72	13

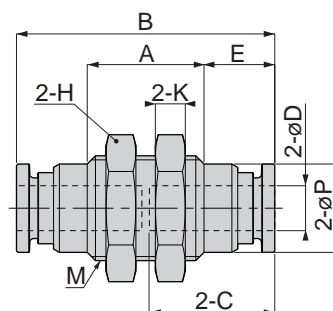
SSPG Unequal Union Straight



Unit : mm

Model code	Tube O.D. øD1	Tube O.D. øD2	B	øP	Tube end C1	Tube end C2	Weight (g)	Orifice bore (ømm)
SSPG6-4④⑥	6	4	32.7	12	16.8	14.9	14	2.5
SSPG8-6④⑥	8	6	35.6	14	17.8	16.8	19	4
SSPG10-8④⑥	10	8	38.5	17	19.7	17.8	27	6
SSPG12-10④⑥	12	10	44	20	23.3	19.7	44	7.5
SSPG16-12④⑥	16	12	48.3	24	24	23.3	61	10

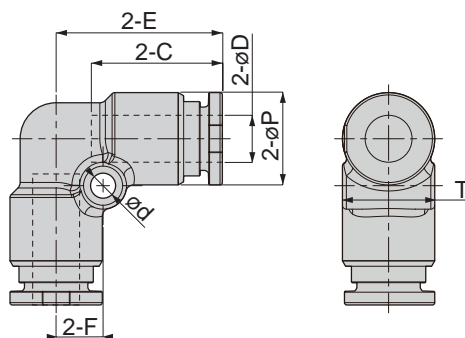
SSPM Bulkhead Union



Unit : mm

Model code	Tube O.D. øD	M	A	B	E	øP	Tube end C	Hex. H	K	Weight (g)	Orifice bore (ømm)
SSPM4④⑥	4	M12×1	13.6	30.8	8.6	9.9	14.9	14	4	18	2.5
SSPM6④⑥	6	M14×1	15.6	34.5	9.5	11.8	16.8	17	4	26	4
SSPM8④⑥	8	M16×1	15.6	36.6	10.5	13.8	17.8	19	4	32	6
SSPM10④⑥	10	M20×1	18.6	40.4	10.9	16.8	19.7	24	5	58	7.5
SSPM12④⑥	12	M22×1	19.6	47.6	14	19.8	23.3	27	6	86	10
SSPM16④⑥	16	M27×1.5	20.3	48.9	14.3	23.7	24	32	6	113	13

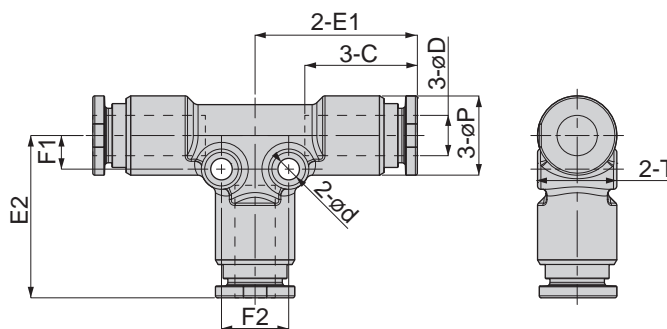
SSPV Union Elbow



Unit : mm

Model code	Tube O.D. øD	øP	Tube end C	E	ød	F	T	Weight (g)	Orifice bore (ømm)
SSPV4④⑥	4	9.9	14.9	19.3	3.2	5	9.8	14	2.5
SSPV6④⑥	6	11.8	16.8	21.3	3.2	6	11.8	19	4
SSPV8④⑥	8	13.8	17.8	23.2	3.2	7	13.8	25	6
SSPV10④⑥	10	16.8	19.7	26.2	4.2	8.5	16.8	40	8
SSPV12④⑥	12	19.8	23.3	30.7	4.2	10	19.8	64	10
SSPV16④⑥	16	23.7	24	33.4	4.2	12	23.7	90	13

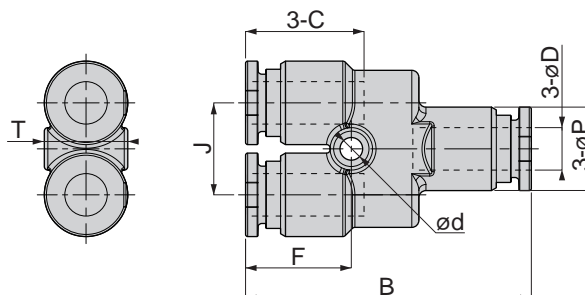
SSPE Union Tee



Unit : mm

Model code	Tube O.D. øD	øP	Tube end C	E1	E2	ød	F1	F2	T	Weight (g)	Orifice bore (ømm)
SSPE4④⑥	4	9.9	14.9	22.2	22.2	3.2	4	8	9.8	23	2.5
SSPE6④⑥	6	11.8	16.8	24.2	24.2	3.2	5	10	11.8	32	4
SSPE8④⑥	8	13.8	17.8	26	26	3.2	6	12	13.8	41	6
SSPE10④⑥	10	16.8	19.7	29.6	29.6	4.2	7	14	16.8	65	8
SSPE12④⑥	12	19.8	23.3	34.2	34.2	4.2	8	16	19.8	101	10
SSPE16④⑥	16	23.7	24	36.7	36.7	4.2	9.5	19	23.7	131	13

SSPY Union Y



Unit : mm

Model code	Tube O.D. øD	B	øP	Tube end C	J	ød	F	T	Weight (g)	Orifice bore (ømm)
SSPY4④⑥	4	37.1	9.9	14.9	11	3.2	14.6	9.8	21	3.1
SSPY6④⑥	6	40.4	11.8	16.8	13	3.2	15	11.8	29	4.9
SSPY8④⑥	8	43.2	13.8	17.8	15	3.2	16.1	13.8	37	6.5
SSPY10④⑥	10	52.3	16.8	19.7	18	4.3	17.9	16.8	72	8.9
SSPY12④⑥	12	59.8	19.8	23.3	21	4.3	20.6	19.8	110	10.6
SSPY16④⑥	16	63.1	23.7	24	25	4.3	21.2	23.7	154	14

Related products

New color variations

For wrong piping prevention • For easier identification of plural-piping

Fluororesin(PFA)Tube SFT

Fluororesin(FEP)Tube SET

Made of Fluororesin material (PFA and FEP) with high chemical and heat resistance.
Suitable for various industries with its excellent internal smoothness, transparency and purity.

※) Black color is newly added to PFA tube. For FEP tube, Black is an existing option.

Operating temp. range

PFA -85 ~ 500°F or -65 ~ 260°C

FEP -85 ~ 390°F or -65 ~ 200°C

Stock item

Fluid visible

※) Depends on color and size. ※) Not possible with black tube.



NEW

NEW

NEW

NEW

NEW

1.1

Color tube price
only 1.1 times higher.
※) Compared with our transparent tube.


Semiconductors


Chemicals


Medical


Food-related


Medicine


Cosmetics


Die temp. ctrl.

High purity Fluororesin (New PFA) Tube SFTN

Made of Fluororesin material (New PFA) with high chemical, heat and weather resistance.
High purity with less elution of impurities such as metal ion, eluted ion and Total Organic Carbon (TOC), compared with PFA.
With its excellent internal smoothness, it contributes to less particle / chemical liquid stagnation and saves washing time.
Best match with Pisco's Fluororesin Fittings.

Operating temp. range

New PFA 85 ~ 500°F or -65 ~ 260°C

Stock item

Fluid visible

※) Depends on color and size.




Semiconductors
 
Chemicals
 
Medical
 
Food-related
 
Medicine
 
Cosmetics

Piping example with Fluororesin fitting

SUS316 Equivalent Ball Valve

Option for 10 series - compact body

Using a butterfly handle for space-saving
SUS316 push-in fittings are newly added

30 Series

With expanded fluid passage (full bore), suitable for application where high flow rate is required
Easy maintenance due to 3 pieces body construction

Max service pressure **1000**psi (6.9MPa) ⇨ Wide range of use



New Line Up

For Chemicals and mixed gases