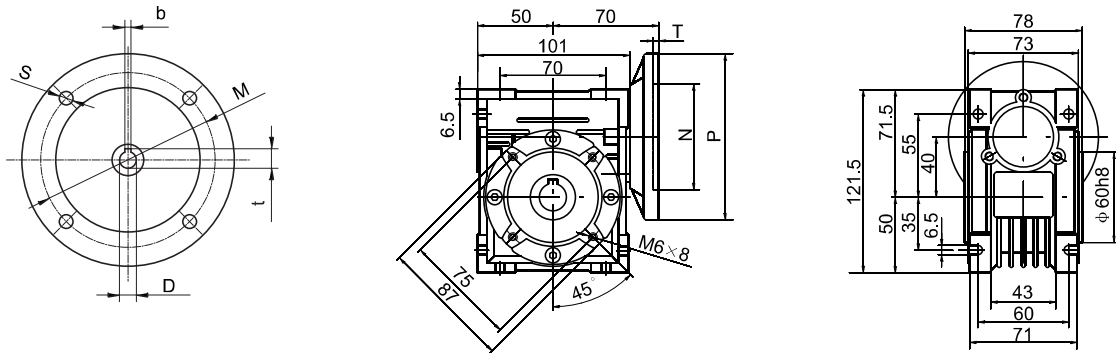
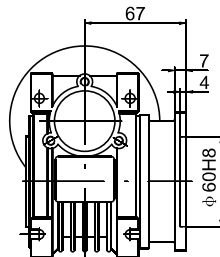
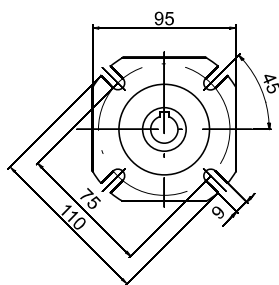
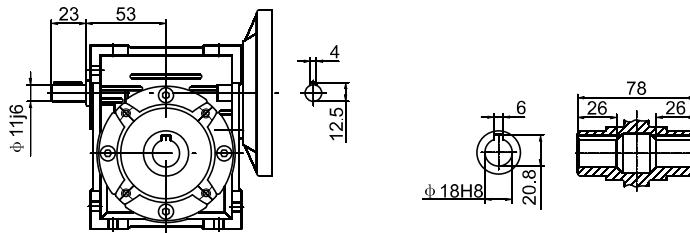


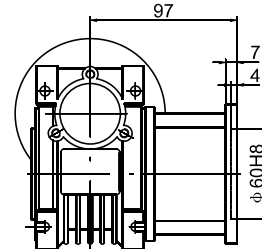
WMRV40



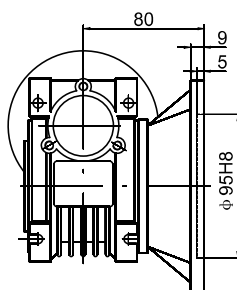
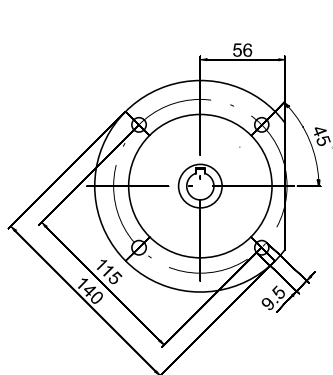
YZ



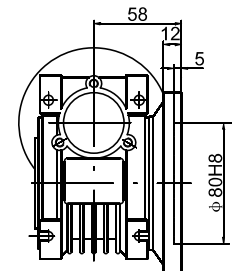
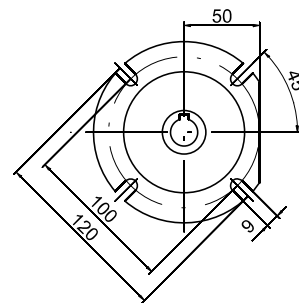
F



FL



FC



FD

IEC	DE8	b	t	P	M	N	S	T
56B14	9	3	10.4	80	65	50	5.5	3
63B5	11	4	12.8	140	115	95	9	3.5
63B14	11	4	12.8	90	75	60	5.5	3
71B5	14	5	16.3	160	130	110	9	4
71B14	14	5	16.3	105	85	70	7	3

重量 (不包含马达) $\approx 2.2\text{kg}$
 Weight without motor $\approx 2.2\text{kg}$