

Travel Switch



YBLX-WL Travel Switch

1. General

YBLX-WL travel switch (hereinafter referred to as switch) is mainly applicable to electrical circuit with AC 380V or DC 220V, 50Hz/60Hz for travel control, direction of motion or speed change of movement mechanism, automatic control of machine tool, limit action & travel or procedure control of movement mechanism. Standard: GB 14048.5 IEC60947-5-1.

2. Type designation

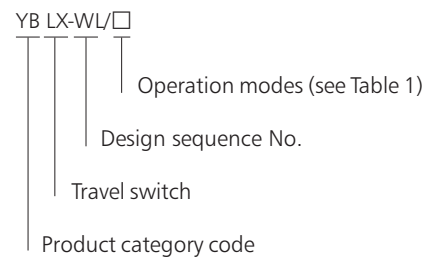


Table 1

Type (use the recommended type)	Operating modes	Alternative models (stop service)		
YBLX-WL/CA2	Single-roller rotating arm	YBLX-WL/01CA2、YBLX-WK/CA2/2	YBLX-WL/ACA2、YBLX-WL/CA12/2	TZ-5104
YBLX-WL/CA12	Adjustable single-roller rotating arm	YBLX-WL/01CA12	YBLX-WL/ACA12	TZ-5108
YBLX-WL/D	Pressure-plunger type	YBLX-WL/01D	YBLX-WL/AD	TZ-5101
YBLX-WL/D2	Plunger-roller type	YBLX-WL/01D2	YBLX-WL/AD2	TZ-5102
YBLX-WL/D3	Pressure-plunger with cylindrical head	YBLX-WL/01D3	YBLX-WL/AD3	TZ-5109
YBLX-WL/NJ	Universal type I	YBLX-WL/01NJ	YBLX-WL/ANJ	TZ-5106
YBLX-WL/NJ/2	Universal type II	YBLX-WL/01NJ/2	YBLX-WL/ANJ/2	
YBLX-WL/NJ/S2	Universal type III	YBLX-WL/01NJ/S2	YBLX-WL/ANJ/S2	TZ-5169
YBLX-WL/CL	Adjustable straight-shaft type	YBLX-WL/01CL	YBLX-WL/ACL	TZ-5107
YBLX-WL/HA4	Adjustable bent-shaft type	YBLX-WL/01HA4	YBLX-WL/AHA4	
YBLX-WL/HA5	Adjustable spring type (universal type IV)	YBLX-WL/01HA5	YBLX-WL/AHA5	
YBLX-WL/CA32/41	Double-roller rotating arm	YBLX-WL/01CA32/41	YBLX-WL/ACA32/41	TZ-5105
		YBLX-WL/01CA32/43	YBLX-WL/CA32/43	TZ-5125
			YBLX-WL/ACA32/43	TZ-5135

3. Technical data

Table 2

Ingress protection	IP52	
Operation frequency	Machine: 120t/min	
	Electrical: 30t/min	
Operation speed	0.001~1m/s	
Mechanical life	60×10 ⁴ times	
Electrical life	30×10 ⁴ times	
Insulation resistance	5MΩ	
Contact resistance	200mΩ (initial value)	
Ambient temperature	-5℃~+40℃	
Relative humidity	≤95%	
Voltage resistance	Between terminals at same levels (1140V)	
	Between live parts and grounding (1890V)	
	Between terminal and dead metal parts (2500V)	
Rated voltage	AC380V	DC220V
Rated control current	AC0.79A	DC0.15A

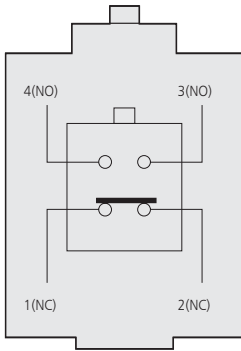
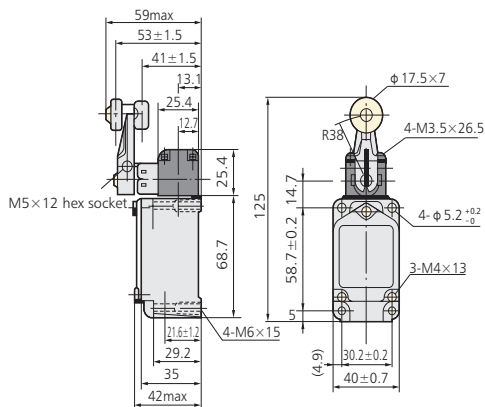


Table 1

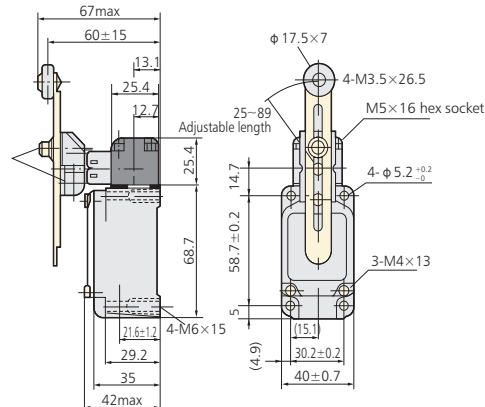
Type	Operating characteristic	Operating force	Operation range	Overtravel
YBLX-WL/CL		≤20N	≤45°	≥15°
YBLX-WL/CA2		≤20N	≤45°	≥15°
YBLX-WL/CA12		≤20N	≤45°	≥15°
YBLX-WL/D		≤30N	≤6mm	≥2mm
YBLX-WL/D2		≤30N	≤6mm	≥2mm
YBLX-WL/D3		≤30N	≤6mm	≥2mm
YBLX-WL/NJ		≤16N	≤45°	-
YBLX-WL/NJ/2		≤16N	≤45°	-
YBLX-WL/NJ/S2		≤16N	≤45°	-
YBLX-WL/HA4		≤30N	≤45°	≥15°
YBLX-WL/HA5		≤30N	≤45°	≥15°
YBLX-WL/CA32/41		≤30N	≤45°	-

4. Overall and mounting dimensions

YBLX-WL/CA2

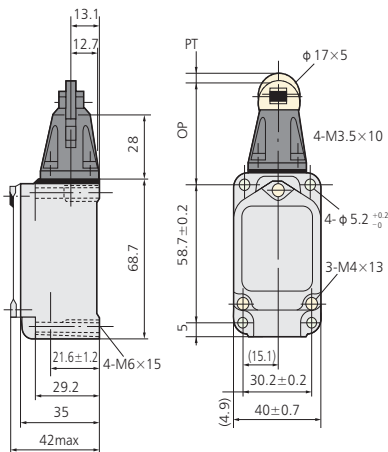


YBLX-WL/CA12

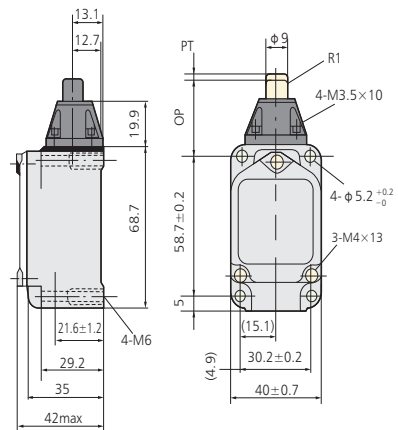


Travel Switch

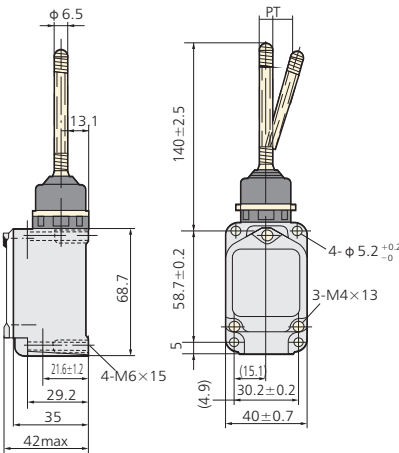
YBLX-WL/D2



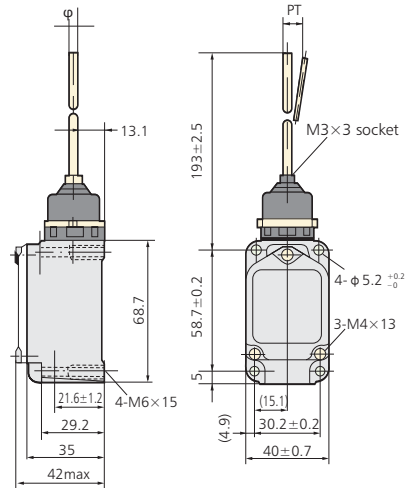
YBLX-WL/D



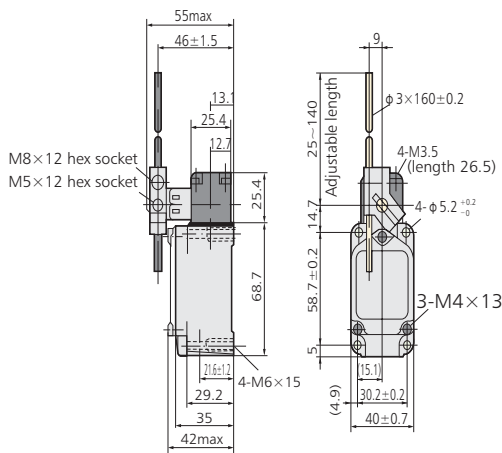
YBLX-WL/NJ



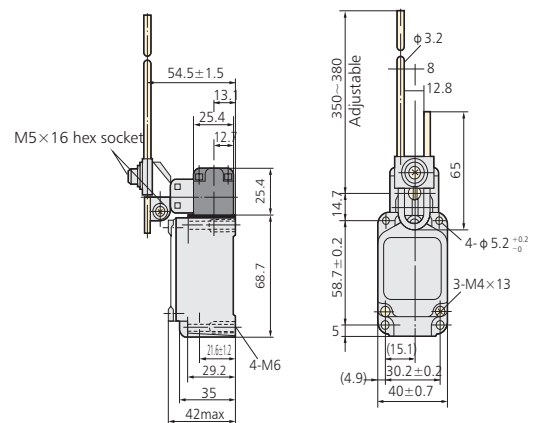
YBLX-WL/NJ/S2



YBLX-WL/CL

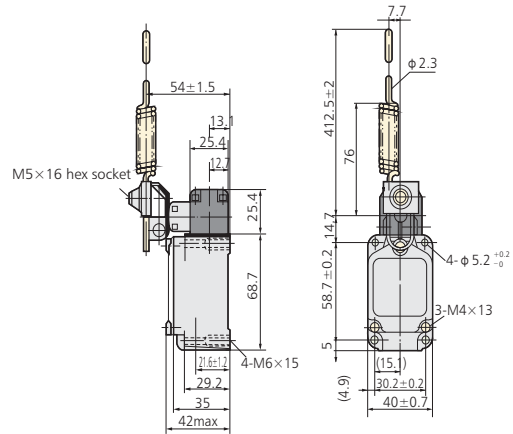
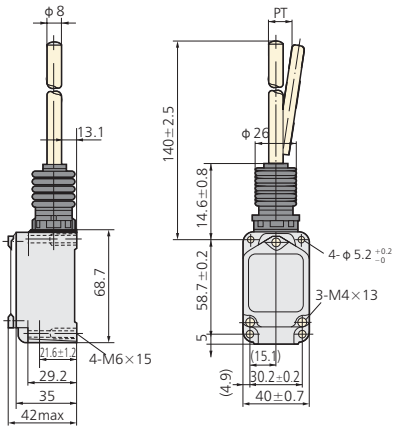


YBLX-WL/HAL4



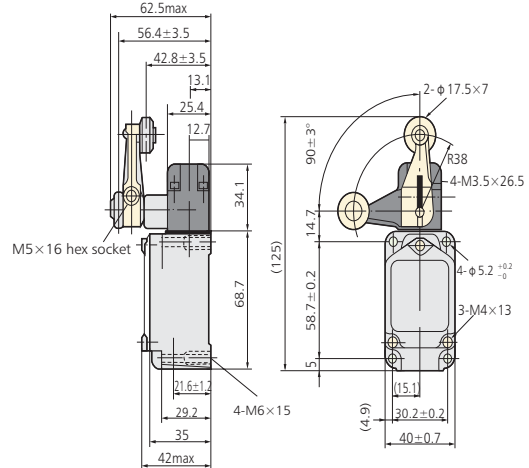
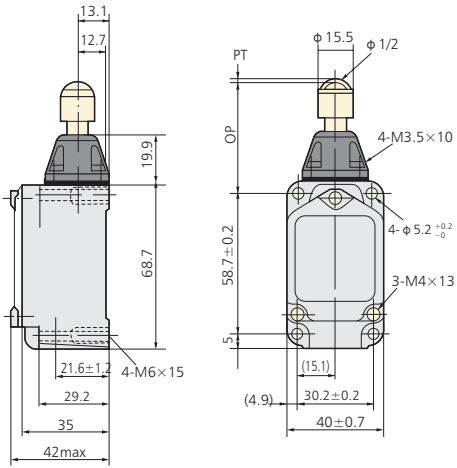
YBLX-WL/NJ/2

YBLX-WL/HA/5



YBLX-WL/D3

YBLX-WL/CA32/41



5. Ordering information

When ordering, the user shall specify the switch type, name and quantity.
For example: YBLX-WL/CA12 100 pieces