

2023 Version 1.0

CONOTEC

CONOTEC CO., LTD.

INTENSIVE QUALITY CONTROL SYSTEM
BEST PRICE, PROMPT DELIVERY





CONOTEC jumps the limit and realizes your dreams by the power of action



CONOTEC co.,Ltd

56, Ballyongsandan 1-ro, Jangan-eup, Gijang-gun, Busan, 46034 Rep. of KOREA

TEL +82-51-819-0425~7

FAX +82-51-819-4562

Homepage www.conotec.co.kr

Facebook www.facebook.com/Conotec

Youtube www.youtube.com/Conotec

Instagram www.instagram.com/Conotec



- History**
- 1990** Established in DAE SUNG Electronic co., LTD
 - 1996** Company name's change go DAE SUNG ENG
 - 1999** Co-worker of LG air conditioning
 - 2002** Acquisition of Invention, A member of the Korea Trade Association
 - 2004** Acquisition in a patent right of invention
 - 2005** Established CONOTEC Co., LTD. A member of venture Firms
 - 2007** Established of the research institute
 - 2009** Certification of ISO 9001:2008
 - 2014** Moved to CONOTEC's new factory building
 - 2015** Low HP Cooler "eZin", Multipanel meter released
 - 2016** i series released, PID series released
 - 2017** Co2 Controller simple type released
 - 2018** Transmitter for temperature & humidity : CNT-TM100 released
 - 2019** Moved to CONOTEC's new factory building
Certification of ISO 9001:2015, ISO 14001:2015
 - 2020** Rain sensor CNT-WJ24 released, All-in-one Low HP Cooler Control upgrade "eZIN23" released
 - 2021** Brand DSFOX Series launch



Conotec Co., Ltd. are makers of quality product ranging from a digital temperature controller to a digital humidity controller, digital panel meters, digital control panels.

We will make a constant effort to meet the challenges of the new era of technology, information in research and development as well as more accurate & trustworthy production it is widely used for the industrial refrigerators, freezers, air-conditioners and heaters.

Also used for the temperature control at many low-temperature storage, environment, factory automation facilities and also show-case such as bakeries, meat markets, fruits and fresh product vendors within large discount stores.

New Products

05~17. CNT-WJ24, e-Zin series, i-series(heat pump, Chiller, Thermo-hygrostat, Unit Coller),
Co2 Controller(FOX-8STC, CNT-500R), Communication(485U Converter, Smart Hub, Smart IO, SMS-1TL),
CNT-TM100, CNT-TMC100, Indicator Series(PM&CM), DSFOX-Series

PID Temperature controller

18. PID Temperature controller : CNT-P100, CNT-P400, CNT-P410

19. PID Temperature controller : CNT-P500, CNT-P600, CNT-P700

Temperature controller

20. NTC Series I : FOX-2001, FOX-2001D, FOX-2001T

21. NTC Series II : FOX-2001F, FOX-2001FR, FOX-2001FD, FOX-2002

22. NTC Series III : FOX-23AF, FOX-2003, FOX-2003S, CNT-703SJR

23. NTC Series IV : FOX-2003SS, FOX-2003SJ-1, FOX-2003SJ-1, FOX-2003SV

24. NTC Series V : FOX-2001CC, FOX-2002CC, FOX-2003CC

25. NTC Series VI : FOX-2001TX, FOX-2002TX, FOX-2003TX, FOX-2000RX

26. NTC Series VII : FOX-2002DN, FOX-2108, FOX-2208, FOX-2208A

27. NTC Series VIII : FOX-2004, FOX-2005, FOX-2006

28. PT100Ω Series I : FOX-1PH, FOX-1PX, 2P1, 2PX, 2P2

29. PT100Ω Series II : FOX-2PD, FOX-2PT, FOX-2PF, FOX-2PD1

30. CA(K) Series I : FOX-1CH, FOX-1CX, FOX-2C1, FOX-2CX, FOX-2C2

31. CA(K) Series II : FOX-2CD, FOX-2CT, FOX-2CF, FOX-2CD1

32. Various controller I : NF-4PR, NF-4CR, NF-7XR5, FOX-C1

33. Various controller II : FOX-815DT, FOX-7XDT, CNT-FDC, CNT-FDP, CNT-7000TT

34. Green house controller I : FOX-2000TT, FOX-2000TR, NF-9P24, NF-9N24, NF-9H24-1

35. I series I : i100, i102, i200

36. I series II : i300, i500

37. Coller & Fan controller series : e-Zin series

Indicator

38. Indicator Series I : FOX-PM6000, FOX-PM6000T, FOX-PM6101

39. Indicator Series II : FOX-PM5000, FOX-PM5000T, FOX-PM5101

40. Indicator Series III : FOX-CM5000, FOX-2121, CNT-PM3000, CNT-PM3100

41. Indicator Series IV : M200, FM-2PT-1, FM-2CA-2, FM-2HD

42. Indicator Series V : FM-5N, FM-5P, FM-5C

Temp./Humi.controller

43. Temp.&Humi. Controller Series I : FOX-300-2S1, FOX-300A-1, FOX-300AR1, FOX-300JR1, FOX-8300R1

44. Temp.&Humi. Controller Series II : FOX-301AR1, FOX-301JR1, FOX-8301R1

45. Temp.&Humi. Controller Series III : FOX-302R1, FOX-9302R1, FOX-8302R1

Humidity controller

46. Humidity controller Series I : FOX-1H, FOX-1H-2, NF-4HR-1, NF-7HR-1

47. Humidity controller Series II : CNT-2H, CNT-2H-2, NF-4HRA

48. Humidity controller Series III : CNT-1SH, CNT-1SHR, CNT-2SH, CNT-2SHR

49. Humidity controller Series IV : CNT-2SHA, CNT-2SHAR, CNT-2SHT, FOX-2SHTR

Panel Meter

50. Panel meter, multi panel

51. Panel meter specifications

Counter & Timer Series

52. Timer : counter, CTM Series

53. Timer Series : CNT-T1, FOX-TT1, CNT-T2, FOX-TT2

Temperature sensor

54. S-NO3, S-NO3-3.3K, FS-200N, FS-201N

55. FS-400P, FS-401P, FS-501C

Humi/Temp.&Humi. Sensor Series

56. HCPV-220H, HCPV-220NH

57. CNT-H Series

Size & Dimension

58. Simple tips and kinds of fault diagnosis/Character display kinds of fault diagnosis/Character display

2021
New Product
System

CONOTEC
CONOTEC CO., LTD.

Rain Sensor

2020 NEW Item

CNT-WJ24

New Product for Green House Rain Sensor CNT-WJ24



Feature

- Rain Sense, Day/Night Sense, Temp, Humidity Measurement
- Opening and closing of a vinyl greenhouse with OPEN/CLOSE contact signal due to rain sense
- Buzzer alarm function when dirt is on the rain sensor
- Bird anti-sitting pins prevent sensor malfunction
- PC Communications Available (RS485 Modbus RTU)

Specifications

Model	Rain Sensor	
Power	More than 24 VDC 500 mA	
Control Method	Relay Interface (2EA)	
Temperature measurement range	-55 ~ 99.9°C	
Humidity measurement range	10~90%	
Sensor	Temp.	Humidity
	NTC10K	SYH-2R
Function	Rainfall Detection Output Control RS485 Communication	

:: Rain Sensor Application case ::



UNIT COOLER Controller

CONOTEC
CONOTEC CO., LTD.

2020 NEW Item

i-series Controller

i100 Unit cooler controller

Used in refrigerated refrigeration & warehouses,
1 cycle-only controller



FUNCTIONS

- Easy manual defrosting / decontamination
- FAN linkage according to operation method and efficient defrosting operation



ADVANTAGE

- Simple in-site temperature data check
- Check the accumulated time of the equipment in operation
- Quick touch and easy menu entry
- Sensor alarm and external input abnormal signal history display and storage function

i102 Controller for unit Cooler

Used in refrigerated refrigeration & warehouses,
2 cycle-only controller



FUNCTIONS

- Easy manual defrosting / decontamination
- FAN linkage according to operation method and efficient defrosting operation
- Comp can be operated by rotation (Preventing deflection of the freezer from aging)



ADVANTAGE

- Simple in-site temperature data check
- Check the accumulated time of the equipment in operation
- Quick touch and easy menu enter
- Sensor alarm and external input abnormal signal history display and storage function

i-series Controller

CONOTEC
CONOTEC CO., LTD.

i-series Controller

i200 Heat pump controller

Heat pump controller for air heat source

Operate in both directions using the four-way valve



FUNCTIONS

- Easy manual defrosting / decontamination
- Various defrosting functions (period / temperature / Comp accumulation)
- FAN linkage with Combs and defrosting and efficient defrosting operation are possible.
- Detailed operation of the equipment enables reliable control



ADVANTAGE

- Check the accumulated time of the equipment in operation
- Quick touch and easy menu entry
- Sensor alarm and external input abnormal signal history display and storage function

i300 chiller controller

used for cooling or keeping low temperatures. **chiller-only controller**



FUNCTIONS

- Use easy pump output (automatic/manual)
- Refrigerator 1Cycle or 2Cycle can be controlled by setting



ADVANTAGE

- Check the accumulated time of the equipment in operation
- Quick touch and easy menu entry
- Sensor alarm and external input abnormal signal history display and storage function



i500 Thermo-hygrostat Controller



ADVANTAGE

- General thermo-hygrostat controller
- Control heating, cooling, humidification and dehumidification
- User can decide whether to use analog output
- Prevent electrical overload by using power failure return and stop delay menu



FUNCTIONS

- Heating 4 steps, Cooling 2 steps, Humidification 3 steps, Dehumidification (Selectable between heating and cooling) (step type / electrode type / PAN type)
- Analog proportional output optional
- Two-way operation system (monitor & main unit)
- Upgraded LCD design- Improved key sensitivity and setting method
- Use PC communication & Smartphone Application with 485 communication



2021 New Product System

CONOTEC
CONOTEC CO., LTD.

Low Phase Refrigerator controller **eZiN Series**

3 color led changes depending on the temperature



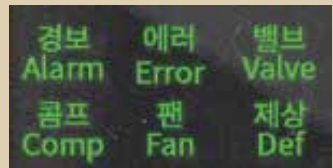
Red : Higher than the appropriate temperature



Green : Appropriate temperature



Orange: lower than the appropriate temperature



eZIN-33,35

· Size : 250(X)×350(Y)×150(Z)mm



eZIN-23

· Size : 200(X)×300(Y)×155(Z)mm

All-in-one product that combines temperature controller and control panel into on

Feature

- 3HP, 5HP / single phase, 3phase
- Control of 4 outputs (Comp, Def, Pen, S.V)
- Product protection and alarm (DP, HTC, LTC, OCR) with 4 external inputs
* EZIN-23 excludes OCR.
- Temperature unit selection (Celsius/Fahrenheit)
- MODBUS 485 Communication
- Convenience of facilities and use with a simple and intuitive structure.
- 3 color led changes depending on the temperature.

Specifications

Model	EZIN23 less than single phase 3HP		EZIN33 less than three phase 3HP		EZIN35 less than three phase 5HP	
Control Method	220VAC Outputs(4EA)		380VAC Outputs(3EA) 220VAC Outputs(1EA)		380VAC Outputs(3EA) 220VAC Outputs(1EA)	
	Relay	Def (12A) Pan (5A) S.V (2A)	Relay	S.V (2A)	Relay	S.V (2A)
	Magnet	Comp (20A)	Magnet	Comp (12A) Def (20A) Pan (20A)	Magnet	Comp (18A) Def (20A) Pan (20A)
Input	Sensor : NTC (10kΩ) External input : DP, HTC, LTC		Sensor : NTC (10kΩ) External input : DP, HTC, LTC, OCR		Sensor : NTC (10kΩ) External input : DP, HTC, LTC, OCR	
Operating Range	-55.0 ~ 99.9°C					
Output	S.V, Comp, Def, Pan					

Energy Saving CO₂ Controller

CONOTEC
CONOTEC CO., LTD.

Energy Saving CO₂ Controller

FOX-8STC



85(W) × 151(L) × 39(H)mm

Mushroom / Plant cultivation purifying indoor air system

CO₂ Controller FOX-8STC

- Reduces unnecessary supply of CO₂ by adding illumination sensor and timer. (cost down)
- Time setting for maximum 9 channels
- Open/Close device for Green house depending on changes of temperature.
- DATA collects & storage (Viewer program)



110(W) × 80(L) × 70(H)mm

Multi Sensor FS-600R

- Transmit the sensor measured of CO₂, Temperature, Humidity, Illumination (RS-485)
- Dual Sensor type's NDIR CO₂ sensor equipped
- Pollutant block, well ventilation by using the unique filter (gore protective vent)

:: Application Case ::



Simple type of CO₂ Controller (All-in-One)

CNT-500R

Temperature, Humidity, CO₂ monitor and control RS485 (MODBUS-RTU) Simplified setting type



130(W) × 80(L) × 36(H)mm

- Easy operation, 485 communication control CNT-500R (Ventilation control / mushroom cultivation / plant / Green house / pig house / only)
- Installation type : Wall type)
- Ventilation fan / CO₂ supply, air-conditioner / heater / dehumidifier control

:: Application ::

- Mushroom cultivation, Greenhouse, plant, flower farm, low temperature warehouse, plant cultivation, farm
- Suitable for automatic management systems such as pig farms, barns, poultry houses, etc.
- Ventilation control for school, hospital, large building, kindergarten

SMART Monitoring System

CONOTEC
CONOTEC CO., LTD.

Smart Hub & Smart iO

Monitoring Application + Smart Hub + Smart IO



:: Smart IO ::

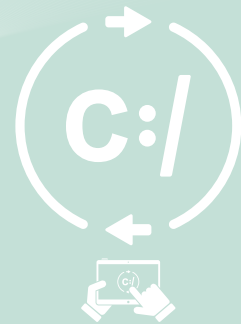


:: Smart HUB ::



Power specifications	DC 12V 500mA and above
apparent dimension	65(W) x 93(H) X 28(D)mm Antenna Section Exclusion
control method	Smartphone remote control method
Data Interface	Baud rate 1200 ~ 19200bps interfafe RS-485
Communication distance	50M (National Interference Environmental Standards)
RF Modem	Frequency 424.7Mhz
fixed method	RAIL
KC safety certification	MSIP-CRM-H17-AS101

Power specifications	external DC adapter (5V 1A)
Power Consumption	Less than 2W
Wired network	1 Port, 10/100Mbps WAN
Wireless network	RF Communications (424.7Mhz Band)
Memory	32MB of DRAM, 16MB of flash memory
KC Safety certification	MSIP-CRM-H17-DJ201



Smart Farm (Mushroom house / Flower farm / Vinyl house)

Applied to All products of CONOTEC Communication

CONOTEC Communication Temperature / Humidity Controller+Smart IO+Smart Hub

- Reduced installation time
- Reduced facility cost

► Main Function

- Monitor the temperature and condition of the refrigerator, freezer controller
- Check status with your smartphone app anytime, anywhere
- Display of an error of a CONOTEC temperature controller in case of communication
- Display of contact relay state of temperature controller
- Push alarm when the set temperature is exceeded
- Status display of temperature sensor (Open / Nomal / Short)

Installation Configuration



SmartPhone Screen Example

SMART Monitoring System

CONOTEC
CONOTEC CO., LTD.

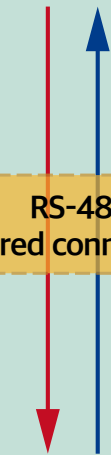
Smart Monitoring System

Smart Monitoring System Configuration Diagram

Communication
Controller



RS-485
Wired connection



Smart IO



:: Feature

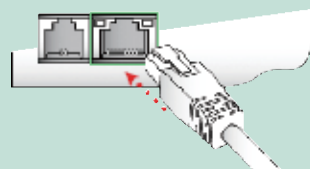
1. Monitoring the temperature and condition of the controller
2. Possible to Check status with your smartphone app anytime, anywhere
3. Display relay status
4. Displaying the status of sensor

Smart HUB



- Frequency band : 424.7Mhz
- NB-IoT Gate Way
- communication distance : 50m

LAN



SMART Monitoring System

CONOTEC
CONOTEC CO., LTD.

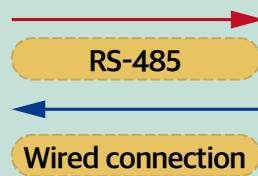
Smart Monitoring System

PC Monitoring System Configuration Diagram

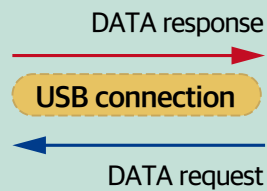
Communication Controller
(possible to connect 32 units)



DSFOX-XR10



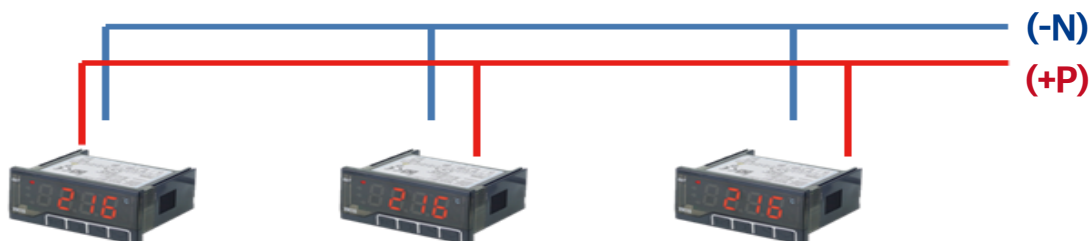
FOX-485U
converter



PC Monitoring
program

How to connect multiple controllers

Communication line (2P shield cable) is connected in parallel



Indicator Series

CONOTEC
CONOTEC CO., LTD.

Temp. Indicator

PM & CM series

Wall Hanging type

NEW



PM3100
183x137x30mm



PM5000
269x165x33mm



PM3000
183x137x30mm

- Small size Temp. Indicator
- for both Wall & Stand
- No waterproof type
- Easily visible from afar
2.3" FND Adoption

Stand type



PM5000T
269x165x33mm



FOX-2121
194x241x59mm



CM5000
269x165x33mm

Use 2.3" FND at a glance



- PM3000 : -55.0 ~ 99.9°C (NTC 10KΩ)
- PM5000 Series : -99.0 ~ 400°C (PT 100Ω)
- PM6000 Series : -55.0 ~ 99.9°C (NTC 10KΩ)
- CM5000 : 0 ~ 1,200°C (CA(K))
- FOX-2121 : -40.0 ~ 65.0°C (0.0~100%) (SHT Sensor)
Multifunctional function Indicator (Time, Temp, Humidity, Luminance Automatic control)
- PM3100 : -39.0 ~ 80.0°C (10~90%) (DS-SH Sensor)

CNT Series System

CONOTEC
CONOTEC CO., LTD.

NEW

CNT-TMC100

Using TM100 as a sensor, it is possible to link up to 4 units and a maximum distance of 1.2 km. And it is a controller that controls temperature power, humidity power, temperature alarm power, humidity alarm output



Specifications

Power	100~240VAC 50/60Hz		
Style of Display	7 Segment 0.51 inch 4Digit		
Display Accuracy	±1%rdg ±1 digit		
Output Specification	250VAC 2A Relay 4EA		
Sensor Specification	Sensor	Temperature Range	Humidity Range
	CNT-TM100	-20.0~80.0°C	0~100%Rh
Communication Specification	RS485, MODBUS RTU, Data 8bit, Parity None, Stop bit1		
Ambient Temp. & Humi	0~55°C (32~131°F) 35~80%RH (No formation of ice or condensation)		

Feature

- 4 output settings can be selected from Temp., Humi., Temp. alarm, Humi. alarm.
- Four sensors (CNT-TM100) can be installed and controlled.
- Up to 4 outputs can be controlled even if only one sensor is connected
- Maximum extension length of sensor: 1.2KM
- PC communication available RS485 Modbus RTU



CNT Series System

CONOTEC
CONOTEC CO., LTD.

CNT-TM100

CNT-TM100 & CONOTEC PID Series Connectable

:: Connect to P400, P500, P600, P700 ::

4~20mA Current Output function Enables interlocking with PID Series

Precise Temperature and humidity display even at long distance



Specifications

Power	24VDC 100mA		
Style of Display	7 Segment 0.51 inch 4Digit 2Line		
Display Accuracy	±1%rdg ±1digit		
Output Specification	Current output 4~20mA (Temp.&Humi)		
Sensor Specification	Sensor	Temperature Range	Humidity Range
	SHT-30	-20.0~80.0°C	0~100%RH
Communication Specification	RS485, MODBUS RTU, Data8bit, Parity None, Stop bit1		
Ambient Temp. & Humi	-20.0~80.0°C , 0~100%RH		

4~20mA current output (temp. & Humi)

Display values for temp & humi. simultaneously

RS485 Modbus, RTU communication output

OEM Oven Controller Series

CONOTEC
CONOTEC CO., LTD.

Brand-new bakery equipment

FOX-N900 (OVEN CONTROLLER)

NEW



Power supply	100~240VAC 50/60Hz
Allowable voltage range	Less than 16VA
Display type	7 Segment LED Display(red)
Input sensor	CA(K)
Control	ON/OFF
Range	-40°C ~ 590°C

FOX-800A

NEW



- Steam ejection
- Upper & bottom lamp control
- Baking time alarm(timer)

Power supply	100~240VAC 50/60Hz
Input sensor	CA(K)
Range	-50°C ~ 350°C

OEM Oven Controller Series

CONOTEC
CONOTEC CO., LTD.

Brand-new bakery equipment

FOX-DC1(Dough Conditioner)



Features

- Easy to set-up
- High-precision digital sensor
- Manual & auto mode
- Various output types
- User's convenient interface
- Installer setting mode
- Installation direction select (vertical / horizontal)

FOX-EP1(Electric Proofer)

[Horizontal type]



[Vertical type]



DSFOX Series System

CONOTEC
CONOTEC CO., LTD.

NEW

DSFOX-Series **DSFOX** NTC Sensor (I, II)

DSFOX-X10



- Cooling or heater control
- Output time delay setting
- Current temperature correction function
- Program lock function

Size (mm)	77(W) X 35(H) X 66.5(D)
Operating Range	Celsius : -55.0~99.9°C Fahrenheit : -60~200°F
Input sensor	NTC(10KΩ)
Display Accuracy	± 1%rdg ± 1digit
Output	1 relay (1c, 250VAC 2A)
Control Method	ON/OFF
Power Supply	100~240VAC 50/60Hz
Programming	Set / Up / Down Key / Back key
Ambient Temp / Humi	0~60°C, 80% RH
Function	Temp.
Cutting Size (mm)	71(W) X 29(H)
Gross Weight	193g

DSFOX-XR10



- Cooling or heater control
- Output time delay setting
- Current temperature correction function
- Program lock function
- MODBUS 485 Communication

Size (mm)	77(W) X 35(H) X 66.5(D)
Operating Range	Celsius : -55.0~99.9°C Fahrenheit : -60~200°F
Input sensor	NTC(10KΩ)
Display Accuracy	± 1%rdg ± 1digit
Output	1 relay (1c, 250VAC 2A)
Control Method	ON/OFF
Power Supply	100~240VAC 50/60Hz
Programming	Set / Up / Down Key / Back key
Ambient Temp / Humi	0~60°C, 80% RH
Function	Temp. / 485 Communication
Cutting Size (mm)	71(W) X 29(H)
Gross Weight	195g

DSFOX-XD20



- Cooling or heater control
- 2stage Temperature control
- Program lock function

Size (mm)	77(W) X 35(H) X 66.5(D)
Operating Range	Celsius : -55.0~99.9°C Fahrenheit : -60~200°F
Input sensor	NTC(10KΩ)
Display Accuracy	± 1%rdg ± 1digit
Output	2relay(1c 2a, 250VAC 2A)
Control Method	ON/OFF
Power Supply	100~240VAC 50/60Hz
Programming	Set / Up / Down Key / Back key
Ambient Temp / Humi	0~60°C, 80% RH
Function	Temp.
Cutting Size (mm)	71(W) X 29(H)
Gross Weight	195g

DSFOX-SL30/SLR30 (cold storage)



- Cold storage control · FAN control
- FAN delay time setting function after defrost operation
- Low temperature prevention function
- MODBUS 485 Communication

Size (mm)	77(W) X 35(H) X 66.5(D)
Operating Range	Celsius : -55.0~99.9°C Fahrenheit : -60~200°F
Input sensor	NTC(10KΩ)
Display Accuracy	± 1%rdg ± 1digit
Output	3relay (3a 250VAC) 1R: Comp, 2R: Defost, 3R: FAN / 1R, 2R(250VAC 2A), 3R (250VAC 5A)
Control Method	ON/OFF
Power Supply	100~240VAC 50/60Hz
Programming	Set / Up / Down Key / Back key or DEF key
Ambient Temp / Humi	0~60°C, 80% RH
Function	Comp. / Def. / Fan
Cutting Size (mm)	71(W) X 29(H)
Gross Weight	204g

DSFOX-Series DSFOX

NTC Sensor (I, II)

DSFOX-CL30 (cold storage)



- Cold storage control
- Current temperature correction function
- FAN, COMP delay time setting function after defrost operation



Size (mm)	77(W) X 35(H) X 66.5(D)
Operating Range	Celsius : -55.0~99.9°C Fahrenheit : -60~200°F
Input sensor	NTC(10KΩ)
Display Accuracy	± 1%rdg ± 1 digit
Output	3 relay (1c 2a, 250VAC 2A)
Control Method	ON/OFF
Power Supply	100~240VAC 50/60Hz
Programming	Set / Up / Down Key / Back key or DEF key
Ambient Temp / Humi	0~60°C, 80% RH
Function	Comp. / Def. / Fan / 485 Communication
Cutting Size (mm)	71(W) X 29(H)
Gross Weight	206g

DSFOX-GH30 (Greenhouses)



- Only for greenhouses
- Greenhouse open/close temperature setting function
- Alarm output function
- MODBUS 485 Communication



Size (mm)	77(W) X 35(H) X 66.5(D)
Operating Range	Celsius : -55.0~99.9°C Fahrenheit : -60~200°F
Input sensor	NTC(10KΩ)
Display Accuracy	± 1%rdg ± 1 digit
Output	3 relay (3a, 250VAC 2A)
Control Method	ON/OFF
Power Supply	100~240VAC 50/60Hz
Programming	Set / Up / Down Key / Back key
Ambient Temp / Humi	0~60°C, 80% RH
Function	Open/Close/Alarm/485 communication
Cutting Size (mm)	71(W) X 29(H)
Gross Weight	202g

DSFOX-SLR40 (cold storage)



- Only for cooling and freezing
- Current temperature correction function
- FAN delay time setting function after defrost operation
- Low and high temperature alarm setting function
- MODBUS 485 Communication



Size (mm)	77(W) X 35(H) X 66.5(D)
Operating Range	Celsius : -55.0~99.9°C Fahrenheit : -60~200°F
Input sensor	NTC(10KΩ)
Display Accuracy	± 1%rdg ± 1 digit
Output	4 relay (4a, 250VAC 2A)
Control Method	ON/OFF
Power Supply	100~240VAC 50/60Hz
Programming	Set / Up / Down Key / Back key or DEF key
Ambient Temp / Humi	0~60°C, 80% RH
Function	Comp./Def./Fan/Alarm/485 communication
Cutting Size (mm)	71(W) X 29(H)
Gross Weight	210g

DSFOX-MR20



- Cooling or heater control
- 2stage Temperature control or time control
- Program lock function
- MODBUS 485 Communication



Size (mm)	77(W) X 35(H) X 66.5(D)
Operating Range	Celsius : -20.0~200.0°C Fahrenheit : -5~400°F
Input sensor	NTC(3.3KΩ)
Display Accuracy	± 1%rdg ± 1 digit
Output	2relay(1c 2a, 250VAC 2A)
Control Method	ON/OFF
Power Supply	100~240VAC 50/60Hz
Programming	Set / Up / Down Key / Back key
Ambient Temp / Humi	0~60°C, 80% RH
Function	Temp
Cutting Size (mm)	71(W) X 29(H)
Gross Weight	195g

DSFOX Series System

CONOTEC
CONOTEC CO., LTD.

NEW

DSFOX-Series DSFOX PT 100Ω Sensor

DSFOX-TP10



- Cooling or heater control
- Output time delay setting
- Current temperature correction function
- MODBUS 485 Communication

Size (mm)	77(W) X 35(H) X 66.5(D)
Operating Range	Celsius : -200.0~400.0°C Fahrenheit : -328~752°F
Input sensor	PT100Ω
Display Accuracy	± 1%rdg ± 1digit
Output	1 relay (1c, 250VAC 2A)
Control Method	ON/OFF
Power Supply	100~240VAC 50/60Hz
Programming	Set / Up / Down Key / Back key
Ambient Temp / Humi	0~60°C, 80% RH
Function	Temp. / 485 Communication
Cutting Size (mm)	71(W) X 29(H)
Gross Weight	133g

DSFOX-TP20



- Output 1: Cooling or heater control function
- Output 2: Alarm or defrost control selection function
- Program lock function
- MODBUS 485 Communication

Size (mm)	77(W) X 35(H) X 66.5(D)
Operating Range	Celsius : -200.0~400.0°C Fahrenheit : -328~752°F
Input sensor	PT100Ω
Display Accuracy	± 1%rdg ± 1digit
Output	2 relay (1c 1a, 250VAC 2A)
Control Method	ON/OFF
Power Supply	100~240VAC 50/60Hz
Programming	Set / Up / Down Key / Back key
Ambient Temp / Humi	0~60°C, 80% RH
Function	Temp./Def./Alarm/485 communication
Cutting Size (mm)	71(W) X 29(H)
Gross Weight	140g

DSFOX-TPI



- Panel temperature indicator
- Current temperature correction
- MODBUS 485 Communication

Size (mm)	77(W) X 35(H) X 66.5(D)
Operating Range	Celsius : -200.0~400.0°C Fahrenheit : -328~752°F
Input sensor	PT100Ω
Display Accuracy	± 1%rdg ± 1digit
Output	-
Control Method	ON/OFF
Power Supply	100~240VAC 50/60Hz
Programming	Set / Up / Down Key / Back key
Ambient Temp / Humi	0~60°C, 80% RH
Function	Indicator/485 communication
Cutting Size (mm)	71(W) X 29(H)
Gross Weight	128g

DSFOX-Series DSFOX CA(K) sensor

DSFOX-TC10



- Cooling or heater control
- Output time delay setting function
- Current temperature correction
- MODBUS 485 Communication

Size (mm)	77(W) X 35(H) X 66.5(D)
Operating Range	Celsius : -50.0~1,200.0°C Fahrenheit : -58~2,192°F
Input sensor	CA(K)
Display Accuracy	±1%rdg ±1digit
Output	1 relay (1c, 250VAC 2A)
Control Method	ON/OFF
Power Supply	100~240VAC 50/60Hz
Programming	Set / Up / Down Key / Back key
Ambient Temp / Humi	0~60°C, 80% RH
Function	Temp. / 485 Communication
Cutting Size (mm)	71(W) X 29(H)
Gross Weight	131g

DSFOX-TC20



- Cooling or heater control
- Output time delay setting function
- Upper and lower temperature alarm output
- MODBUS 485 Communication

Size (mm)	77(W) X 35(H) X 66.5(D)
Operating Range	Celsius : -50.0~1,200.0°C Fahrenheit : -58~2,192°F
Input sensor	CA(K)
Display Accuracy	±1%rdg ±1digit
Output	2 relay (1c 1a, 250VAC 2A)
Control Method	ON/OFF
Power Supply	100~240VAC 50/60Hz
Programming	Set / Up / Down Key / Back key
Ambient Temp / Humi	0~60°C, 80% RH
Function	Temp./Alarm/485 communication
Cutting Size (mm)	71(W) X 29(H)
Gross Weight	137g

DSFOX-TCI



- Panel temperature indicator
- Current temperature correction
- MODBUS 485 Communication

Size (mm)	77(W) X 35(H) X 66.5(D)
Operating Range	Celsius : -50.0~1,200.0°C Fahrenheit : -58~2,192°F
Input sensor	CA(K)
Display Accuracy	±1%rdg ±1digit
Control Method	ON/OFF
Power Supply	100~240VAC 50/60Hz
Programming	Set / Up / Down Key / Back key
Ambient Temp / Humi	0~60°C, 80% RH
Function	Temp Indicator/ 485 communication
Cutting Size (mm)	71(W) X 29(H)
Gross Weight	131g



PID Temperature Controller

Auto-tuning / Relay / SSR / Current output

CNT-P100



PID temperature controller Relay/SSR PID, Current PID control
3 kinds of sensor mounted by only one auto tuning

Input Power	100~240VAC 50/60Hz		
Display	7 segment 3.5 Digit 0.51 Inch	Weight	130g
Sensor type	PT100Ω, CA(K), NTC10K		
Display Accuracy	PT100Ω, NTC10K : ±1%rdg ±1 digit CA(K) : ±1% rdg ±1 digit		
Output Specification	ON/OFF output or alarm output or PID control 250 VAC 2A Max, 1a relay Out(SSR/current) : SSR PID or current PID or PV transmit (Current : resistive load within 500 ohm, SSR 11VDC 2V within 20mA)		
Communication specification	Rs485, Modbus RTU, Date 8bit / Parity None / Stop 1		
Proportional specification	PT100Ω, NTC10K : 100.0°C	Integral Time	0~1999 sec.
	CA(K) : 0~100°C	Derivative Time	0~1999 sec.
Normal state error correction	PT100Ω, NTC10K : -100.0~100.0°C	Control cycle	0~120 sec.
	CA(K) : -100~100°C	Memory Term	10Years (nonvolatile)
Ambient	0~55°C, 35~80%Rh(No formation of ice or condensation)		

CNT-P400/P410



PID temperature controller(Relay output : P400-1, P410-3) RS485 communications(MODBUS-RTU) are supported(P410 model) Various sensor inputs including thermal resistor, thermocouple NTC sensor, voltage (mV, Volt),current (4-20mA) among others.

Input Power	100~240VAC 50/60Hz	Display accuracy	±1%rdg ±1 digit	
Display	7 segment 0.51 Inch 4Digit 2Line			
Output Specification	P400 model	OUT1: Current : resistive load within 500 ohm, SSR 11VDC 2V within 20mA OUT2: 1a 250VAC 2A relay		
	P410 model	OUT1: Current : resistive load within 500 ohm, SSR 11VDC 2V within 20mA OUT2/OUT3/OUT4: 1a 250VAC 2A relay		
Sensor specification	RTD	Type	Sensor name	Temperature range
			DPT100 Ω	-199.9~400.0°C
		JPT100 Ω	-199.9~400.0°C	
	TC		K	-50~1200°C
			N	-50~1200°C
			T	-50~400°C
			J	-50~1200°C
			E	-50~1000°C
	Thermistor		NTC10K(Low temp.)	-55.0~99.0°C
			NTC10K(High temp.)	-20.0~250.0°C
	Voltage		mV	0.0~100.0mV
			0~5V	0.00~5.00V
			1~5V	1.00~5.00V
		0~10V	0.00~10.00V	
Current		0~20mA	0.00~20.00mA	
		A~20mA	4.00~20.00mA	
Communication specification (P410 Model)	RS485, MODBUS RTU, Data 8bit, Parity None, Stop bit 1			
Ambient	No formation of ice or condensation			
Allowed Voltage Fluctuation range	90% to 110% of the power-supply voltage			

PID Temperature Controller

Auto-tuning / Relay / SSR / Current output



Two outputs with current / SSR (cycle / phase control / common on / off)
 RS 485 MODBUS RTU available
 Hardware select function (alarm / current / control)
 P500(96*48mm), P600(48*96mm), P700(72*72mm)

Input Power	100~240VAC 50/60Hz	Display accuracy	±1%rdg ±1 digit
Display	7 segment 0.51 Inch 4Digit 2Line		
Output specification	OUT1: Current : resistive load within 500 ohm, SSR 11VDC 2V within 20mA OUT2: 1a 250VAC 2A relay OUT1: Current : resistive load within 500 ohm, SSR 11VDC 2V within 20mA) OUT2/OUT3/OUT4: 1a 250VAC 2A relay		
Sensor specification	Type	Sensor name	Temperature range
	RTD	DPT100 Ω	-199.9~400.0°C
		JPT100Ω	-199.9~400.0°C
	TC	K	-50~1200°C
		N	-50~1200°C
		T	-50~400°C
		J	-50~1200°C
		E	-50~1000°C
	Thermistor	NTC10K(Low temp.)	-55.0~99.0°C
		NTC10K(High temp.)	-20.0~250.0°C
	Voltage	mV	0.0~100.0mV
		0~5V	0.00~5.00V
1~5V		1.00~5.00V	
0~10V		0.00~10.00V	
Current	0~20mA	0.00~20.00mA	
	A~20mA	4.00~20.00mA	
Communication specification	RS485, MODBUS RTU, Data 8bit, Parity None, Stop bit 1		
Ambient	No formation of ice or condensation		
Allowed Voltage Fluctuation range	90% to 110% of the power-supply voltage		

NTC - Series I

Temperature Controller

FOX-2001



- Cooling or heating control
- Restrictive function for setting range of the upper or lowest limit
- Correction of the present temperature (± 10)
- Lock function program (Lock)

Size (mm)	77(W) × 35(H) × 78(D)
Operating Range	-55.0 ~ 99.9°C
Input sensor	NTC (10 kΩ) 3M
Display Accuracy	$\pm 1\%$ rdg ± 1 digit
Output	1relay (1c, 250VAC 2A)
Control Method	ON/OFF
Power Supply	230VAC 50/60Hz (Order production: 110VAC 50/60Hz, 12V or 24V AC/DC $\pm 10\%$)
Programming	Set / Up / Down Key
Ambient Temp / Humi	0~55°C (32~131°F) 35~80%RH
Cutting Size (mm)	71(W) × 29(H)
Gross Weight	270g

FOX-2001D



- Lock function of programs
- Correction of the present temperature
- Restrictive function for setting range of the upper or lowest limit
- 2-stage Temperature Control

Size (mm)	77(W) × 35(H) × 78(D)
Operating Range	-55.0 ~ 99.9°C
Input sensor	NTC (10 kΩ) 3M
Display Accuracy	$\pm 1\%$ rdg ± 1 digit
Output	2relay (1c, 1a 250VAC 2A)
Control Method	ON/OFF
Power Supply	230VAC 50/60Hz (Order production: 110VAC 50/60Hz, 12V or 24V AC/DC $\pm 10\%$)
Programming	Set / Up / Down Key
Ambient Temp / Humi	0~55°C (32~131°F) 35~80%RH
Cutting Size (mm)	71(W) × 29(H)
Gross Weight	278g

FOX-2001T



- Lock function of programs
- Correction of the present temperature
- Restrictive function for setting range of the upper or lowest limit
- 3-stage Temperature Control

Size (mm)	77(W) × 35(H) × 78(D)
Operating Range	-55.0 ~ 99.9°C
Input sensor	NTC (10 kΩ) 3M
Display Accuracy	$\pm 1\%$ rdg ± 1 digit
Output	3relay (1c, 2a 250VAC 2A)
Control Method	ON/OFF
Power Supply	230VAC 50/60Hz (Order production: 110VAC 50/60Hz, 12V or 24V AC/DC $\pm 10\%$)
Programming	Set / Up / Down Key
Ambient Temp / Humi	0~55°C (32~131°F) 35~80%RH
Cutting Size (mm)	71(W) × 29(H)
Gross Weight	282g

NTC - Series II

Temperature Controller



FOX-2001F/2001FR (MODBUS-RTU)



- Lock function program
- Correction of the present temperature
- Restrictive function for setting range of the upper or lowest limit
- 4-stage temperature control

Size (mm)	77(W) × 35(H) × 78(D)
Operating Range	-55.0 ~ 99.9°C
Input sensor	NTC (10 kΩ) 3M
Display Accuracy	±1%rdg ±1 digit
Output	4relay (1c, 3a 250VAC 2A)
Control Method	ON/OFF
Power Supply	230VAC 50/60Hz (Order production: 110VAC 50/60Hz, 12V or 24V AC/DC ±10%)
Programming	Set / Up / Down Key
Ambient Temp / Humi	0~55°C (32~131°F) 35~80%RH
Cutting Size (mm)	71(W) × 29(H)
Gross Weight	284g

FOX-2001FD



- 4-stage temperature control / 4 steps output (deviation temperature / output delay time)
- Correction of the present temperature
- Restrictive function for setting range of the upper or lowest limit
- Cooling / heating control

Size (mm)	77(W) × 35(H) × 78(D)
Operating Range	-55.0 ~ 99.9°C
Input sensor	NTC (10 kΩ) 3M
Display Accuracy	±1%rdg ±1 digit
Output	4relay (1c, 3a 250VAC 2A)
Control Method	ON/OFF
Power Supply	230VAC 50/60Hz (Order production: 110VAC 50/60Hz, 12V or 24V AC/DC ±10%)
Programming	Set / Up / Down Key
Ambient Temp / Humi	0~55°C (32~131°F) 35~80%RH
Cutting Size (mm)	71(W) × 29(H)
Gross Weight	282g

FOX-2002



- Cooling / heating control(1 relay)
 - Temperature alarm output (1 relay)
 - Correction of the present temperature
 - Restrictive function for setting range of the upper or lowest limit
 - SSR output (2002RS)
- ※ FOX-2002DN (Diode + NTC Sensor)

Size (mm)	77(W) × 35(H) × 78(D)
Operating Range	-55.0 ~ 99.9°C
Input sensor	NTC (10 kΩ) 3M
Display Accuracy	±1%rdg ±1 digit
Output	2relay (1c, 1a 250VAC 2A)
Control Method	ON/OFF
Power Supply	230VAC 50/60Hz (Order production: 110VAC 50/60Hz, 12V or 24V AC/DC ±10%)
Programming	Set / Up / Down Key
Ambient Temp / Humi	0~55°C (32~131°F) 35~80%RH
Cutting Size (mm)	71(W) × 29(H)
Gross Weight	280g

NTC - Series III (Only Cooling)

Temperature Controller

FOX-23AF



- Only use Cooling & freezing
- Defrosting function
- Correction of the present temperature
- FAN delay time after defrosting

Size (mm)	77(W) × 35(H) × 78(D)
Operating Range	-55.0 ~ 99.9°C
Input sensor	NTC (10 kΩ) 3M
Display Accuracy	± 1%rdg ± 1 digit
Output	3relay (3a, 250VAC) 1R: Comp, 2R: Defrost, 3R: FAN/ 1R, 2R(250VAC 2A), 3R(250VAC 5A)
Control Method	230VAC 50/60Hz (Order production: 110VAC 50/60Hz, 12V AC/DC ± 10%)
Power Supply	ON/OFF
Programming	Set / Up / Down / Df Key
Ambient Temp / Humi	0~55°C (32~131°F) 35~80%RH
Cutting Size (mm)	71(W) × 29(H)
Gross Weight	280g

FOX-2003 / FOX-2003S (simple set type)



- Restrictive function for setting range of the upper or lowest limit
- Correction of the present temperature
- 2-stage Temperature Control
- Cooling only

Size (mm)	77(W) × 35(H) × 78(D)
Operating Range	-55.0 ~ 99.9°C
Input sensor	NTC (10 kΩ) 3M
Display Accuracy	± 1%rdg ± 1 digit
Output	3relay (1c, 2a 250VAC 2A) 1R: Comp, 2R: Defrost, 3R: FAN
Control Method	ON/OFF
Power Supply	230VAC 50/60Hz (Order production: 110VAC 50/60Hz, 12V or 24V AC/DC ± 10%)
Programming	Set / Up / Down / Df Key
Ambient Temp / Humi	0~55°C (32~131°F) 35~80%RH
Cutting Size (mm)	71(W) × 29(H)
Gross Weight	280g

CNT-703SJR (the updated product for FOX-7ND)



- For only cooling
- Defrosting
- Manual defrosting
- RS 485 communication
- COMP, FAN control

Size (mm)	72(W) × 72(H) × 110(D)
Operating Range	-55.0 ~ 99.9°C
Input sensor	NTC (10 kΩ) 3M
Display Accuracy	± 1%rdg ± 1 digit
Output	3relay (1c, 2a 250VAC 2A) 1R: Comp, 2R: Defrost, 3R: FAN
Control Method	ON/OFF
Power Supply	100~240VAC 50/60Hz
Programming	Set / Up / Down / Left / Right / Df Key
Ambient Temp / Humi	0~55°C (32~131°F) 35~80%RH
Cutting Size (mm)	68(W) × 68(H)
Gross Weight	400g

NTC - Series IV (Only Cooling)

Temperature Controller & Only use Cooling & freezing



FOX-2003SS



- COMP, Defrost, FAN
- Celsius / Fahrenheit
- Manual or automatically control when an error on the sensor
- Prevention of supercooling
- Various defrosting (outer signal, COMP, accumulated time of operation, defrosting cycle)

Size (mm)	77(W) × 35(H) × 78(D)
Operating Range	Celsius : -55.0 ~ 99.9°C, Fahrenheit : -67 ~ 212°F
Input sensor	NTC (10 kΩ) 3M
Display Accuracy	± 1%rdg ± 1 digit
Output	3relay (3a 250VAC 2A)
Control Method	ON/OFF
Power Supply	230VAC 50/60Hz
Programming	Set / Up / Down / Df Key
Ambient Temp / Humi	0~55°C (32~131°F) 35~80%RH
Cutting Size (mm)	71(W) × 29(H)
Gross Weight	282g

FOX-2003SJ-1



- Only use Cooling & freezing
- Defrosting function
- FAN control
- Correction of the present temperature
- FAN delay time after defrosting

Size (mm)	77(W) × 35(H) × 78(D)
Operating Range	-55.0 ~ 99.9°C
Input sensor	NTC (10 kΩ) 3M
Display Accuracy	± 1%rdg ± 1 digit
Output	3relay (3a 250VAC) 1R: Comp, 2R: Defrost, 3R: FAN / 1R, 2R(250VAC 2A), 3R (250VAC 5A)
Control Method	ON/OFF
Power Supply	230VAC 50/60Hz
Programming	Set / Up / Down / Df Key
Ambient Temp / Humi	0~55°C (32~131°F) 35~80%RH
Cutting Size (mm)	71(W) × 29(H)
Gross Weight	282g

FOX-2003SV



- COMP, Defrost, FAN Solenoid Valve
- Prevention of supercooling
- Defrost mode select (Comp. time saving, Periodic defrost)
- COMP stop delaying

Size (mm)	77(W) × 35(H) × 78(D)
Operating Range	-55.0 ~ 99.9°C
Input sensor	NTC (10 kΩ) 3M
Display Accuracy	± 1%rdg ± 1 digit
Output	4relay (250VAC 2A)
Control Method	ON/OFF
Power Supply	230VAC 50/60Hz
Programming	Set / Up / Down / Df Key
Ambient Temp / Humi	0~55°C (32~131°F) 35~80%RH
Cutting Size (mm)	71(W) × 29(H)
Gross Weight	220g

NTC Series V (485 Communication)

Temperature Controller

FOX-2001CC



- RS 485 Communication (Maximum 1.2km)
- Celsius / Fahrenheit
- Cooling or Heating control

Size (mm)	77(W) × 35(H) × 78(D)
Operating Range	Celsius : -55.0 ~ 99.9°C Fahrenheit : -67~212°F
Input sensor	NTC (10 kΩ) 3M
Display Accuracy	± 1%rdg ± 1 digit
Output	1relay (1a 250VAC 2A)
Control Method	230VAC 50/60Hz
Power Supply	ON/OFF
Programming	Set / Up / Down Key
Ambient Temp / Humi	0~55°C (32~131°F) 35~80%RH
Cutting Size (mm)	71(W) × 29(H)
Gross Weight	275g

FOX-2002CC



- RS 485 Communication (Maximum 1.2km)
- Celsius / Fahrenheit
- 6kinds of alarm
- 4kinds of alarm options
- Output 1: cooling or heating
- Output 2: Alarm

Size (mm)	77(W) × 35(H) × 78(D)
Operating Range	Celsius : -55.0 ~ 99.9°C Fahrenheit : -67~212°F
Input sensor	NTC (10 kΩ) 3M
Display Accuracy	± 1%rdg ± 1 digit
Output	2relay (2a 250VAC 2A)
Control Method	ON/OFF
Power Supply	230VAC 50/60Hz
Programming	Set / Up / Down Key
Ambient Temp / Humi	0~55°C (32~131°F) 35~80%RH
Cutting Size (mm)	71(W) × 29(H)
Gross Weight	282g

FOX-2003CC



- Computer(m:1) connection style with CC Models
- RS 485 Communication (Maximum 1.2km)
- Celsius / Fahrenheit
- Output 1: cooling
- Output 2: Alarm
- Output 3: FAN

Size (mm)	77(W) × 35(H) × 78(D)
Operating Range	Celsius : -55.0 ~ 99.9°C Fahrenheit : -67~212°F
Input sensor	NTC (10 kΩ) 3M
Display Accuracy	± 1%rdg ± 1 digit
Output	3relay (3a 250VAC 2A)
Control Method	ON/OFF
Power Supply	230VAC 50/60Hz
Programming	Set / Up / Down / Df Key
Ambient Temp / Humi	0~55°C (32~131°F) 35~80%RH
Cutting Size (mm)	71(W) × +29(H)
Gross Weight	285g

NTC Series VI (1:1 Communication)

Temperature Controller



FOX-2001TX



- Connect with the FOX-2000RX (1:1)
- RS 485 Communication (Maximum 1.2km)
- Celsius / Fahrenheit
- Cooling or Heating control

Size (mm)	77(W) × 35(H) × 78(D)
Input sensor	NTC (10kΩ) 3M
Operating Range	Celsius : -55.0 ~ 99.9°C Fahrenheit : -67 ~ 212°F
Display Accuracy	±1%rdg ± 1 digit
Output	1relay (1a 250VAC 2A)
Control Method	ON / OFF
Power Supply	230VAC 50/60Hz
Programming	Set / Up / Down Key
Ambient Temp / Humi	0~55°C (32~131°F) 35~80%RH
Cutting Size (mm)	71(W) × 29(H)
Gross Weight	277g

FOX-2002TX



- Connect with the FOX-2000RX (1:1)
- RS 485 Communication (Maximum 1.2km)
- Celsius / Fahrenheit
- Output 1: Cooling or Heating
- Output 2: Alarm

Size (mm)	77(W) × 35(H) × 78(D)
Input sensor	NTC (10kΩ) 3M
Operating Range	Celsius : -55.0 ~ 99.9°C Fahrenheit : -67 ~ 212°F
Display Accuracy	±1%rdg ± 1 digit
Output	2relay (2a 250VAC 2A)
Control Method	ON / OFF
Power Supply	230VAC 50/60Hz
Programming	Set / Up / Down Key
Ambient Temp / Humi	0~55°C (32~131°F) 35~80%RH
Cutting Size (mm)	71(W) × 29(H)
Gross Weight	282g

FOX-2003TX



- Connect with the FOX-2000RX (1:1)
- RS 485 Communication (Maximum 1.2km)
- Celsius / Fahrenheit
- Cooling or Heating control

Size (mm)	77(W) × 35(H) × 78(D)
Input sensor	NTC (10kΩ) 3M
Operating Range	Celsius : -55.0 ~ 99.9°C Fahrenheit : -67 ~ 212°F
Display Accuracy	±1%rdg ± 1 digit
Output	3relay (3a 250VAC 2A)
Control Method	ON / OFF
Power Supply	230VAC 50/60Hz
Programming	Set / Up / Down / Df Key
Ambient Temp / Humi	0~55°C (32~131°F) 35~80%RH
Cutting Size (mm)	71(W) × 29(H)
Gross Weight	285g

FOX-2000RX



- RS 485 Communication (Maximum 1.2km)
- Celsius / Fahrenheit
- 1:1 Communication with FOX-2001TX, FOX-2002TX, FOX-2003TX

Size (mm)	77(W) × 35(H) × 78(D)
Input sensor	NTC (10kΩ) 3M
Operating Range	Celsius : -55.0 ~ 99.9°C Fahrenheit : -67 ~ 212°F
Display Accuracy	±1%rdg ± 1 digit
Output	3relay (3a 250VAC 2A)
Control Method	ON / OFF
Power Supply	230VAC 50/60Hz
Ambient Temp / Humi	0~55°C (32~131°F) 35~80%RH
Cutting Size (mm)	71(W) × 29(H)
Gross Weight	190g

NTC Series (8A relay)

Temperature Controller

FOX-2002DN



- Alarm control
- Cooling or Heating control
- Compatible 3kinds of NTC 10k, 5k, Diode Sensor

Size (mm)	77(W) × 35(H) × 78(D)
Operating Range	-55.0 ~ 99.9°C
Input sensor	NTC (10kΩ), NTC(5kΩ), Diode 3 Type
Display Accuracy	± 1%rdg ± 1digit
Output	2relay (1c, 1a 250VAC 2A)
Control Method	ON / OFF
Power Supply	230VAC 50/60Hz
Programming	Set / Up / Down / Left Key
Ambient Temp / Humi	0~55°C (32~131°F) 35~80%RH
Cutting Size (mm)	71(W) × 29(H)
Gross Weight	277g

FOX-2108



- Restrictive function for the setting range of the upper or lowest limit
- Lock function of programs
- Large-capacity relay(8A)
- Correction of the present temperature
- Cooling or Heating control

Size (mm)	77(W) × 35(H) × 78(D)
Operating Range	-55.0 ~ 99.9°C
Input sensor	NTC (10kΩ) 3M
Display Accuracy	± 1%rdg ± 1digit
Output	1relay (1a 250VAC 8A)
Control Method	ON / OFF
Power Supply	230VAC 50/60Hz (Order production: 110VAC 50/60Hz, 12V or 24V AC/DC ± 10%)
Programming	Set / Up / Down Key
Ambient Temp / Humi	0~55°C (32~131°F) 35~80%RH
Cutting Size (mm)	71(W) × 29(H)
Gross Weight	280g

FOX-2208



- Output 1: Cooling or Heating
- Output 2: Alarm function
- Lock function of programs
- Large-capacity relay(8A)
- Correction of the present temperature
- Restrictive function for the setting range of the upper or lowest limit
- Cooling or Heating control

Size (mm)	77(W) × 35(H) × 78(D)
Operating Range	-55.0 ~ 99.9°C
Input sensor	NTC (10kΩ) 3M
Display Accuracy	± 1%rdg ± 1digit
Output	2relay (2a 250VAC 8A)
Control Method	ON / OFF
Power Supply	230VAC 50/60Hz (Order production: 110VAC 50/60Hz, 12V or 24V AC/DC ± 10%)
Programming	Set / Up / Down Key
Ambient Temp / Humi	0~55°C (32~131°F) 35~80%RH
Cutting Size (mm)	71(W) × 29(H)
Gross Weight	290g

FOX-2208A



- Lock function of programs
- Large-capacity relay(8A)
- Correction of the present temperature
- Restrictive function for the setting range of the upper or lowest limit
- 2-stage control(interlocking, fixing)

Size (mm)	77(W) × 35(H) × 78(D)
Operating Range	Celsius : -55.0 ~ 99.9°C Fahrenheit : -67 ~ 212°F
Input sensor	NTC (10kΩ) 3M
Display Accuracy	± 1%rdg ± 1digit
Output	2relay (2a 250VAC 8A)
Control Method	ON / OFF
Power Supply	230VAC 50/60Hz (Order production: 110VAC 50/60Hz, 12V or 24V AC/DC ± 10%)
Programming	Set / Up / Down Key
Ambient Temp / Humi	0~55°C (32~131°F) 35~80%RH
Cutting Size (mm)	71(W) × 29(H)
Gross Weight	300g

NTC Series VIII (2 Sensors)

Temperature Controller



FOX-2004



- 2 sensors(temperature sensor, a preventive sensor for super-heating of defrosting)
- Only use cooling
- FAN control output
- Defrosting function / manual defrosting
- Restrictive function for the setting range of the upper or lowest limit
- Select(s1, s2)

Size (mm)	77(W) × 35(H) × 78(D)
Operating Range	-55.0 ~ 99.9°C
Input sensor	NTC (10 kΩ) 3M: 2EA
Display Accuracy	± 1%rdg ± 1 digit
Output	3relay (3a 250VAC 2A) 1R: Temp, 2R: defrost, 3R: FAN
Control Method	ON/OFF
Power Supply	230VAC 50/60Hz (Order production: 110VAC 50/60Hz, 12V or 24V AC/DC ± 10%)
Programming	Set / Up / Down / Df Key
Ambient Temp / Humi	0~55°C (32~131°F) 35~80%RH
Cutting Size (mm)	71(W) × 29(H)
Gross Weight	360g

FOX-2005



- 2 sensors(temperature sensor, a preventive sensor for super-heating of defrosting)
- Only use cooling · FAN control output
- Defrosting function / manual defrosting
- Restrictive function for the setting range of the upper or lowest limit
- ※ FOX-2005S(Electricity saving/defrost by deviation)
- ※ FOX-2005S_R(485 communication)

Size (mm)	77(W) × 35(H) × 78(D)
Operating Range	-55.0 ~ 99.9°C
Input sensor	NTC (10 kΩ) 3M: 2EA
Display Accuracy	± 1%rdg ± 1 digit
Output	4relay (1c, 3a 250VAC 2A) 1R: Comp, 2R: Defrost, 3R: FAN 4R: Alarm
Control Method	ON/OFF
Power Supply	230VAC 50/60Hz (Order production: 110VAC 50/60Hz, 12V or 24V AC/DC ± 10%)
Programming	Set / Up / Down / Df Key
Ambient Temp / Humi	0~55°C (32~131°F) 35~80%RH
Cutting Size (mm)	71(W) × 29(H)
Gross Weight	340g

FOX-2006



- 2 sensors(temperature 1,2)
- Select(S1, S2)
- 2 channel of alarm function or 2-stage temperature setting
- Restrictive function for the setting range of the upper or lowest limit

Size (mm)	77(W) × 35(H) × 78(D)
Operating Range	-55.0 ~ 99.9°C
Input sensor	NTC (10 kΩ) 3M : 2EA
Display Accuracy	± 1%rdg ± 1 digit
Output	4relay (1c, 3a 250VAC 2A) 1R:Temp. 1, 2R:Alarm, 3R:Temp.2, 4R:Alarm2)
Control Method	ON/OFF
Power Supply	230VAC 50/60Hz (Order production: 110VAC 50/60Hz, 12V or 24V AC/DC ± 10%)
Programming	Set / Up / Down Key
Ambient Temp / Humi	0~55°C (32~131°F) 35~80%RH
Cutting Size (mm)	71(W) × 29(H)
Gross Weight	358g

PT 100Ω Series I

Temperature Controller

FOX-1PH / FOX-1PX



- Output delay time
- Use both Cooling & heating

Size (mm)	77(W) × 35(H) × 78(D)
Operating Range	-50 ~ 400°C
Display Accuracy	±0.5%rdg ± 1digit
Input sensor	PT100Ω
Output	1PH: 1relay (1c 250VAC 2A) 1PX: 1relay (1c 250VAC 8A)
Power Supply	100~240VAC 50/60Hz
Control Method	ON/OFF
Programming	Set / Up / Down Key
Ambient Temp / Humi	0~55°C (32~131°F) 35~80%RH
Cutting Size (mm)	71(W) × 29(H)
Gross Weight	146g

FOX-2P1 / FOX-2PX



- Cooling / Heating
- Restrictive function for the setting range of the upper or lowest limit
- 2PX-8A relay

Size (mm)	77(W) × 35(H) × 78(D)
Operating Range	-199.9 ~ 400°C
Display Accuracy	±0.5%rdg ± 1digit
Input sensor	PT100Ω
Output	2P1: 1relay (1c 250VAC 2A) 2PX: 1relay (1c 250VAC 8A)
Power Supply	100~240VAC 50/60Hz
Control Method	ON/OFF
Programming	Set / Up / Down Key
Ambient Temp / Humi	0~55°C (32~131°F) 35~80%RH
Cutting Size (mm)	71(W) × 29(H)
Gross Weight	152g

FOX-2P2



- Restrictive function for the setting range of the upper or lowest limit
- Output 1: control for Cooling or Heating
- Output 2: alarm temperature or defrosting control

Size (mm)	77(W) × 35(H) × 78(D)
Operating Range	-199.9 ~ 400°C
Display Accuracy	±0.5%rdg ± 1digit
Input sensor	PT100Ω
Output	2relay (1c 1a 250VAC 2A) 1R: Temp, 2R: Defrost/Alarm
Power Supply	100~240VAC 50/60Hz
Control Method	ON/OFF
Programming	Set / Up / Down Key
Ambient Temp / Humi	0~55°C (32~131°F) 35~80%RH
Cutting Size (mm)	71(W) × 29(H)
Gross Weight	162g

PT 100Ω Series II

Temperature Controller



FOX-2PD



- Restrictive function for the setting range of the upper or lowest limit
- 2-stage temperature control

Size (mm)	77(W) × 35(H) × 78(D)
Operating Range	-199 ~ 400°C
Input sensor	PT100Ω
Display Accuracy	±0.5%rdg ± 1 digit
Output	2relay (1c 1a 250VAC 2A)
Control Method	ON / OFF
Power Supply	100~240VAC 50/60Hz
Programming	Set / Up / Down Key
Ambient Temp / Humi	0~55°C (32~131°F) 35~80%RH
Cutting Size (mm)	71(W) × 29(H)
Gross Weight	146g

FOX-2PT



- Restrictive function for the setting range of the upper or lowest limit
- 3-stage temperature control

Size (mm)	77(W) × 35(H) × 78(D)
Operating Range	-199 ~ 400°C
Input sensor	PT100Ω
Display Accuracy	±0.5%rdg ± 1 digit
Output	3relay (1c 2a 250VAC 2A)
Control Method	ON / OFF
Power Supply	100~240VAC 50/60Hz
Programming	Set / Up / Down Key
Ambient Temp / Humi	0~55°C (32~131°F) 35~80%RH
Cutting Size (mm)	71(W) × 29(H)
Gross Weight	151g

FOX-2PF



- Restrictive function for the setting range of the upper or lowest limit
- 4-stage temperature control

Size (mm)	77(W) × 35(H) × 78(D)
Operating Range	-199 ~ 400°C
Input sensor	PT100Ω
Display Accuracy	±0.5%rdg ± 1 digit
Output	4relay (1c 3a 250VAC 2A)
Control Method	ON / OFF
Power Supply	100~240VAC 50/60Hz
Programming	Set / Up / Down Key
Ambient Temp / Humi	0~55°C (32~131°F) 35~80%RH
Cutting Size (mm)	71(W) × 29(H)
Gross Weight	156g

FOX-2PD1



- 2-stage control
- Interlocking control
- Fixed control
- Celsius / Fahrenheit

Size (mm)	77(W) × 35(H) × 78(D)
Operating Range	Celsius : -199 ~ 400°C Fahrenheit : -327 ~ 752°F
Input sensor	PT100Ω
Display Accuracy	±0.5%rdg ± 1 digit
Output	2relay (1c 1a 250VAC 2A)
Control Method	ON / OFF
Power Supply	100~240VAC 50/60Hz
Programming	Set / Up / Down Key
Ambient Temp / Humi	0~55°C (32~131°F) 35~80%RH
Cutting Size (mm)	71(W) × 29(H)
Gross Weight	146g

CA(K) Series I

Temperature Controller

FOX-1CH / FOX-1CX



- Cooling / Heating
- Restrictive function for the setting range of the upper or lowest limit
- 1CX-8A relay

Size (mm)	77(W) × 35(H) × 78(D)
Operating Range	-50 ~ 400°C
Input sensor	CA(K)
Display Accuracy	±1%rdg ±1digit
Output	1CH: 1relay (1c 250VAC 2A) 1CX: 1relay (1c 250VAC 8A)
Power Supply	100~240VAC 50/60Hz
Control Method	ON/OFF
Programming	Set / Up / Down Key
Ambient Temp / Humi	0~55°C (32~131°F) 35~80%RH
Cutting Size (mm)	71(W) × 29(H)
Gross Weight	146g

FOX-2C1 / FOX-2CX



- Temp. range (-50~1200°C)
- Restrictive function for the setting range of the upper or lowest limit
- 2CX-8A relay

Size (mm)	77(W) × 35(H) × 78(D)
Operating Range	-50 ~ 1200°C
Input sensor	CA(K)
Display Accuracy	±1%rdg ±1digit
Output	2C1: 1relay (1c 250VAC 2A) 2CX: 1relay (1c 250VAC 8A)
Power Supply	100~240VAC 50/60Hz
Control Method	ON/OFF
Programming	Set / Up / Down Key
Ambient Temp / Humi	0~55°C (32~131°F) 35~80%RH
Cutting Size (mm)	71(W) × 29(H)
Gross Weight	148g

FOX-2C2



- FOX-2C1 function in
- Restrictive function for the setting range of the upper or lowest limit
- Output 1: Temp
- Output 2: Alarm

Size (mm)	77(W) × 35(H) × 78(D)
Operating Range	-50 ~ 1200°C
Input sensor	CA(K)
Display Accuracy	±1%rdg ±1digit
Output	2relay (1c, 1a 250VAC 2A) 1R: Temp, 2R: Alarm
Power Supply	100~240VAC 50/60Hz
Control Method	ON/OFF
Programming	Set / Up / Down Key
Ambient Temp / Humi	0~55°C (32~131°F) 35~80%RH
Cutting Size (mm)	71(W) × 29(H)
Gross Weight	160g

CA(K) Series II

Temperature Controller



FOX-2CD



- Restrictive function for the setting range of the upper or lowest limit
- 2-stage temperature control

Size (mm)	77(W) × 35(H) × 78(D)
Input sensor	CA(K)
Operating Range	-50 ~ 999°C
Display Accuracy	± 1%rdg ± 1 digit
Output	2relay (2a 250VAC 2A)
Control Method	ON / OFF
Power Supply	100~240VAC 50/60Hz
Programming	Set / Up / Down Key
Ambient Temp / Humi	0~55°C (32~131°F) 35~80%RH
Cutting Size (mm)	71(W) × 29(H)
Gross Weight	145g

FOX-2CT



- Restrictive function for the setting range of the upper or lowest limit
- 3-stage temperature control

Size (mm)	77(W) × 35(H) × 78(D)
Input sensor	CA(K)
Operating Range	-50 ~ 999°C
Display Accuracy	± 1%rdg ± 1 digit
Output	3relay (3a 250VAC 2A)
Control Method	ON / OFF
Power Supply	100~240VAC 50/60Hz
Programming	Set / Up / Down Key
Ambient Temp / Humi	0~55°C (32~131°F) 35~80%RH
Cutting Size (mm)	71(W) × 29(H)
Gross Weight	150g

FOX-2CF



- Restrictive function for the setting range of the upper or lowest limit
- 4-stage temperature control

Size (mm)	77(W) × 35(H) × 78(D)
Input sensor	CA(K)
Operating Range	-50 ~ 999°C
Display Accuracy	± 1%rdg ± 1 digit
Output	4relay (1c 3a 250VAC 2A)
Control Method	ON / OFF
Power Supply	100~240VAC 50/60Hz
Programming	Set / Up / Down Key
Ambient Temp / Humi	0~55°C (32~131°F) 35~80%RH
Cutting Size (mm)	71(W) × 29(H)
Gross Weight	155g

FOX-2CD1



- 2-stage control
- Interlocking control
- Fixed control
- Celsius / Fahrenheit

Size (mm)	77(W) × 35(H) × 78(D)
Input sensor	CA(K)
Operating Range	Celsius : -50 ~ 1200°C Fahrenheit : -58 ~ 1999°F
Display Accuracy	± 1%rdg ± 1 digit
Output	2relay (1c 1a 250VAC 2A)
Control Method	ON / OFF
Power Supply	100~240VAC 50/60Hz
Programming	Set / Up / Down Key
Ambient Temp / Humi	0~55°C (32~131°F) 35~80%RH
Cutting Size (mm)	71(W) × 29(H)
Gross Weight	145g

Various Controller I

Temperature Controller

NF-4PR / 4CR



- Cooling / Heating
- Restrictive function for the setting range of the upper or lowest limit
- Correction of the present temperature

Size (mm)	48(W) × 48(H) × 106(D)
Operating Range	NF-4PR(-50 ~ 400°C) NF-4CR(-50 ~ 800°C)
Input sensor	4PR: PT100Ω / 4CR: CA(K)
Display Accuracy	4PR: ±0.5%rdg ± 1 digit 4CR: ±1%rdg ± 1 digit
Output	1relay (1c 250VAC 2A)
Power Supply	100~240VAC 50/60Hz
Control Method	ON/OFF
Programming	Sys / Set / Up / Down Key
Ambient Temp / Humi	0~55°C (32~131°F) 35~80%RH
Cutting Size (mm)	45(W) × 45(H)
Gross Weight	200g

NF-7XR5 (SERIES)



- Highest and lowest alarm function & 3-stage output
- Main output control by programmed on/off cycle while sensor's trouble
- 485/232 communication

Size (mm)	72(W) × 72(H) × 110(D)
Operating Range	PT100Ω: -199.9~400°C / CA: -50°C~1200°C NTC10K: -55.0°C~99.9°C
Input sensor	X→P:PT100Ω / X / →C:CA(K) / X→N:NTC 10kΩ (Recommendations for ordering)
Display Accuracy	PT100Ω/NTC : ±0.5%rdg ± 1 digit CA(K) : ±1%rdg ± 1 digit
Output	3relay (1c 2a 250VAC 2A) / 1R: Temp, 2R: High / Out 1, 3R:Low / Out 2 Option: Temp. output → SSR(DC24V ± 3V 30mA MAX)
Power Supply	100~240VAC 50/60Hz
Control Method	ON/OFF
Programming	Set / Up / Down / Left / Right Key
Ambient Temp / Humi	0~55°C (32~131°F) 35~80%RH
Cutting Size (mm)	68(W) × 68(H)
Gross Weight	300g

FOX-C1



- Temperature control for aquarium
- Use both Heating & cooling
- Control for electrical panel
- 10A relay, -40.0~80.0°C
- Wall hanging type

Size (mm)	83(W) × 150(H) × 40(D)
Operating Range	-40.0 ~ 80.0°C
Input sensor	NTC(10KΩ) 5M
Display Accuracy	±1%rdg ± 1 digit
Output	Input voltage 2.3KW or less (230VAC 10A)
Power Supply	230VAC 50/60Hz
Control Method	ON/OFF
Programming	Set / Up / Down / H/C / Power
Ambient Temp / Humi	0~55°C (32~131°F) 35~80%RH
Cutting Size (mm)	-
Gross Weight	760g

Various Controller II

Temperature Controller



FOX-815DT



- The temperature difference's control by using two sensors, a high or a low temperature sensor respectively
- For a solar heat boiler

Size (mm)	94(W) × 150(H) × 39(D)
Operating Range	-55.0 ~ 99.9°C
Input sensor	NTC(10kΩ): 2EA
Output	2relay (2c 250VAC 2A)
Display Accuracy	± 1%rdg ± 1 digit
Control Method	ON/OFF
Power Supply	100~240VAC 50/60Hz
Programming	Set / Up / Down / Conv / Power Key
Ambient Temp / Humi	0~55°C (32~131°F) 35~80%RH
Cutting Size (mm)	84(W) × 150(H)
Gross Weight	500g

- Geothermal air-conditioning and heating system
- Highest & lowest alarm temp
- Alarm temperature by the temperature's difference

FOX-7XDT (SERIES)



- The temperature difference's control by using two sensors, a high or a low temperature sensor respectively
- For a solar heat boiler

Size (mm)	72(W) × 72(H) × 110(D)
Operating Range	PT100Ω: -199.9~400°C / CA: -50~999.9°C NTC10K:-20.0~200.0°C
Input sensor	X→P:PT100Ω, X→C:CA, / X→N:NTC
Output	2relay (1c 1a 250VAC 2A)
Display Accuracy	± 1%rdg ± 1 digit
Control Method	ON/OFF
Power Supply	100~240VAC 50/60Hz
Programming	Md / Set / Up / Down / Left / Right
Ambient Temp / Humi	0~55°C (32~131°F) 35~80%RH
Cutting Size (mm)	68(W) × 68(H)
Gross Weight	400g

- Geothermal air-conditioning and heating system
- Highest & lowest alarm temp
- Alarm temperature by the temperature's difference
- Sensor select (X: N, P, C type)

CNT-FDC/FDP (Exclusive FAN controller)



- Operating characteristics :
FAN output will be OFF after temperature and OFF after setting delay time being.
- Fan setting delay time is set to ON still being output regardless of temperature

Size (mm)	77(W) × 35(H) × 78(D)
Operating Range	PT100Ω : -200~400°C CA(K) : -50~1200°C
Input sensor	CNP-FDP: PT100Ω, CNT-FDC: CA(K)
Output	2EA (1c 1a 250VAC 2A)
Display Accuracy	± 1%rdg ± 1 digit
Control Method	ON/OFF
Power Supply	100~240VAC 50/60Hz
Programming	Set / Up / Down Key
Ambient Temp / Humi	0~55°C (32~131°F) 35~80%RH
Cutting Size (mm)	71(W) × 29(H)
Gross Weight	140g

- Purpose of use
Heating refrigeration, freezing, temperature, compensation, frozen burial agricultural and fishery products drying equipment, Printing machinery, woodworking machinery, space heaters, ventilators, Green house etc

CNT-7000TT (Green house only)



- 1~5 step Temp, Humi setting
- Control by temperature, time opening and shutting of green house
- Opening time, closing time setting

Size (mm)	72(W) × 72(H) × 110(D)
Operating Range	-55.0°C ~ 99.9°C
Input sensor	NTC (10KΩ) 20M
Output	3relay (3a 250VAC 2A)
Display Accuracy	± 1%rdg ± 1 digit
Control Method	ON/OFF
Power Supply	100~240VAC 50/60Hz
Programming	T set / °C set / Up / Down / Left / Right Key
Ambient Temp / Humi	0~55°C (32~131°F) 35~80%RH
Cutting Size (mm)	68(W) × 68(H)
Gross Weight	400g

- Alarm output function
- External input setting (Open, Close, Rain sensor)
- Various display types setting channel (temperature, time)

Green house Controller I

Temperature Controller

FOX-2000TT



- Control by temperature, time opening and shutting of green house
- Opening temperature, Closing temperature setting
- Opening time, closing time setting
- Restriction function for the setting temp range of the upper or lowest limit

Size (mm)	77(W) × 35(H) × 78(D)
Operating Range	-55.0°C ~ 99.9°C
Input sensor	NTC(10kΩ)3M
Display Accuracy	± 1%rdg ± 1 digit
Output	2relay (1c 1a 250VAC 2A)
Power Supply	230VAC 50/60Hz, (Order production: 110VAC 50/60Hz, 12V AC/DC ± 10%)
Control Method	ON/OFF
Programming	T Set / °C Set / Up / Down Key
Ambient Temp / Humi	0~55°C (32~131°F) 35~80%RH
Cutting Size (mm)	71(W) × 29(H)
Gross Weight	290g

FOX-2000TR



- Control by temperature, time opening and shutting of green house
 - Opening temperature, time 1,2 closing temperature & time 1,2
 - Restriction function for the setting range of the upper or lowest limit
- *FOX-2000TR(Alarm output/485 com)-100-240AC

Size (mm)	77(W) × 35(H) × 80(D)
Operating Range	-55.0°C ~ 99.9°C
Input sensor	NTC(10kΩ)3M
Display Accuracy	± 1%rdg ± 1 digit
Output	2relay (1c 1a 250VAC 2A)
Power Supply	230VAC 50/60Hz, (Order production: 110VAC 50/60Hz, 12V AC/DC ± 10%)
Control Method	ON/OFF
Programming	T Set / °C Set / Up / Down Key
Ambient Temp / Humi	0~55°C (32~131°F) 35~80%RH
Cutting Size (mm)	71(W) × 29(H)
Gross Weight	290g

NF-9P24/9N24



- 9-stage temp. & time setting · Alarm output
- Correction of the present temperature
- Signal output for control of vinyl green house
- Set up the closing or opening time

Size (mm)	96(W) × 96(H) × 110(D)
Operating Range	9P24: -199.9~199.9°C / 9N24: -50.0°C ~90.0°C
Input sensor	9P24: PT100Ω / 9N24: NTC (10kΩ)
Display Accuracy	9P24: ± 0.5%rdg ± 1 digit 9N24: ± 1%rdg ± 1 digit
Output	3relay (1c 2a 250VAC 2A) / 1R: Main, 2R: High / Open, 3R: Low / Close
Power Supply	100~240VAC 50/60Hz
Control Method	ON/OFF
Programming	°C Set / T Set / Up / Down / Left / Right Key
Ambient Temp / Humi	0~55°C (32~131°F) 35~80%RH
Cutting Size (mm)	91(W) × 91(H)
Gross Weight	500g

NF-9H24-1



- 1~9-stage humidity & time setting
- Alarm output
- Correction of the present humidity
- Signal output for control of vinyl green house

Size (mm)	96(W) × 96(H) × 110(D)
Operating Range	10.0% ~ 95.0%Rh
Input sensor	HCPV - 220H
Display Accuracy	± 3%rdg ± 1 digit
Output	3relay (1c, 2a 250VAC 2A) 1R: Main, 2R: High / Open, 3R: Low / Close
Power Supply	100~240VAC 50/60Hz
Control Method	ON/OFF
Programming	°C Set / T Set / Up / Down / Left / Right Key
Ambient Temp / Humi	0~55°C (32~131°F) 35~80%RH
Cutting Size (mm)	91(W) × 91(H)
Gross Weight	500g

I Series I (Unit Cooler, Heat pump Controller)

Temperature Controller



i100 Unit Cooler controller



- TFT-LCD & touch pad
- Central monitoring control
- Alarm history recordable
- Small & slimness
- 1 Cycle Controller for refrigeration and cold storage

Size (mm)	137.21(W) × 95.21(H) × 54.7(D)
Operating Range	-55.0 ~ 99.9°C
Input sensor	NTC (10 kΩ) : 3M, 1EA
Display Accuracy	±1%rdg ±1 digit
Output	6relay (7a 250VAC 2A)
Control Method	ON/OFF
Power Supply	100~240VAC 50/60Hz
Programming	Set / Up / Down / Back / Df & Right / Power Key
Ambient Temp / Humi	0~55°C (32~131°F) 35~80%RH
Cutting Size (mm)	120(W) × 78(H)
Gross Weight	508g

i102 Unit Cooler controller



- TFT-LCD & touch pad
- Central monitoring control
- Alarm history recordable
- Small & slimness
- Reserved operation
- 2 Cycle Controller for refrigeration and cold storage

Size (mm)	137.21(W) × 95.21(H) × 54.7(D)
Operating Range	-55.0 ~ 99.9°C
Input sensor	NTC (10 kΩ) : 3M, 2EA
Display Accuracy	±1%rdg ±1 digit
Output	7relay (7a 250VAC 2A)
Control Method	ON/OFF
Power Supply	100~240VAC 50/60Hz
Programming	Set / Up / Down / Back / Df & Right / Power Key
Ambient Temp / Humi	0~55°C (32~131°F) 35~80%RH
Cutting Size (mm)	120(W) × 78(H)
Gross Weight	520g

i200 Heat Pump controller



- TFT-LCD & touch pad
- Central monitoring control
- Alarm history recordable
- Small & slimness
- Reserved operation
- Various defrost
 - Period / Temperature / Comp / Accumulation time

Size (mm)	137.21(W) × 95.21(H) × 54.7(D)
Operating Range	-55.0 ~ 99.9°C
Input sensor	NTC (10 kΩ) : 3M, 2EA
Display Accuracy	±1%rdg ±1 digit
Output	7relay (7a 250VAC 2A)
Control Method	ON/OFF
Power Supply	100~240VAC 50/60Hz
Programming	Set / Up / Down / Back / Df / Power Key
Ambient Temp / Humi	0~55°C (32~131°F) 35~80%RH
Cutting Size (mm)	120(W) × 78(H)
Gross Weight	600g



I Series I (Chiller, Thermo-hygrostat Controller)

Temperature Controller

i300 Chiller controller



- TFT-LCD & touch pad
- Central monitoring control
- Alarm history recordable
- Small & slimness
- Pump manual/auto operation made
- pre-heat & freeze protection

Size (mm)	137.21(W) × 95.21(H) × 54.7(D)
Operating Range	-55.0 ~ 99.9°C
Input sensor	NTC (10 kΩ): 1EA
Display Accuracy	±1%rdg ±1 digit
Output	7relay (7a 250VAC 2A)
Control Method	ON/OFF
Power Supply	100~240VAC 50/60Hz
Programming	Set / Up / Down / Pump & Right / Power / Back Key
Ambient Temp / Humi	0~55°C (32~131°F) 35~80%RH
Cutting Size (mm)	120(W) × 78(H)
Gross Weight	520g

i500 Thermo-hygrostat Controller



- Heating 4 steps, Cooling 2 steps, Humidification 3 steps, Dehumidification 2 steps
- 3 types of humidification (Step type / Electrode type / PAN type)
- Analog proportional output optional
- Two-way operation system (monitor & main unit)

Size (mm)	Monitor : 137.21(W) × 95.21(H) × 54.7(D) main unit : 212.1(W) × 76.2(H) × 45.8(D)
Operating Range	-20~70°C(±1°C), 0~100%(±3%)
Input sensor	HCPV-220NH
Display Accuracy	±1%rdg ±1 digit
Output	4~20mA(3 Ports)
Control Method	ON/OFF
Power Supply	100~240VAC 50/60Hz
Programming	Set / Up / Down / Back / Right / Power Key
Ambient Temp / Humi	0~55°C (32~131°F) 35~80%RH
Cutting Size (mm)	Monitor : 120(W) × 78(H) main unit : Channel or Wall hanging
Gross Weight	900g

Coller & Fan Controller Series **eZin**

easy N
Temperature Controller



Low-powered Refrigeration Controller



- eZin, Lower, HP Control panel
- Electronic valve, Comp, FAN defrost control by 4 outputs
- Control protect and alarm by 3outer inputs (DP, HTC, LTC)
- Less than 2HP, 3HP, optimize the thermal management of refrigerated warehouses
- Quick Setup parameters and display
- Easy-to-use, user, convenience bigger tends to direct management and operation

Size (mm)	180(W) × 240(H) × 102(D)
Operating Range	-55.5 ~ 99.9°C
Input sensor	NTC (10 kΩ): 1EA
Display Accuracy	± 1%rdg ± 1 digit
Output	2H.P., 3H.P. - 4EA
Control Method	100~240VAC 50/60Hz
Power Supply	ON/OFF
Programming	Set / Up / Down Key
Ambient Temp / Humi	0~55°C (32~131°F) 35~80%RH
Cutting Size (mm)	90(W) × 180(H)
Gross Weight	2HP Low : 1.34kg, 3HP Low : 1.52kg

eZIN-Series



- 4 Output Controls (Comp, Fan, Defrost, Sv)
- Temperature Selectable (Celsius / Fahrenheit)
- Three-color led change with temperature
- Easy installation / Institute Structure

Model	EZIN23 less than single phase 3HP		EZIN33 less than three phase 3HP		EZIN35 less than three phase 5HP	
Control Method	220VAC Outputs(4EA)		380VAC Outputs(3EA) 220VAC Outputs(1EA)		380VAC Outputs(3EA) 220VAC Outputs(1EA)	
	Relay	Def (12A) Pan (5A) S.V (2A)	Relay	S.V (2A)	Relay	S.V (2A)
	Magnet	Comp (20A)	Magnet	Comp (12A) Def (20A) Pan (20A)	Magnet	Comp (18A) Def (20A) Pan (20A)
Input	Sensor : NTC (10kΩ) External input : DP, HTC, LTC		Sensor : NTC (10kΩ) External input : DP, HTC, LTC, OCR		Sensor : NTC (10kΩ) External input : DP, HTC, LTC, OCR	
Operating Range	-55.0 ~ 99.9°C					
Output	S.V, Comp, Def, Pan					



Indicator Series I (NTC (10KΩ))

Temp & Humi Indicator

FOX-PM6000



- Material: stainless
- Wall hanging

Size (mm)	269(W) × 165(H) × 33(D)
Operating Range	-55.0 ~ 99.9°C
Input sensor	NTC (10 kΩ) 5M
Display Accuracy	± 1%rdg ± 1digit
Style of Instruction	7 segment LED Display 2.3" (48(W) × 70(H)mm)
Use for	Bathroom, Sauna (Wall hanging)
Power Supply	12V AC / DC ± 10%
Ambient Temp / Humi	0~70°C (32~158°F) 35~100%RH
Gross Weight	2kg

FOX-PM6000T



- Material: stainless
- Stand type

Size (mm)	269(W) × 165(H) × 33(D)
Operating Range	-55.0 ~ 99.9°C
Input sensor	NTC (10 kΩ) 5M
Display Accuracy	± 1%rdg ± 1digit
Style of Instruction	7 segment LED Display 2.3" (48(W) × 70(H)mm)
Use for	Bathroom, Sauna (Stand type)
Power Supply	12V AC / DC ± 10%
Ambient Temp / Humi	0~70°C (32~158°F) 35~100%RH
Gross Weight	2.4kg

FOX-PM6101



- Material: acryl
- Wall hanging type

Size (mm)	259(W) × 170(H) × 70(D)
Operating Range	-55.0 ~ 99.9°C
Input sensor	NTC (10 kΩ) 5M
Display Accuracy	± 1%rdg ± 1digit
Style of Instruction	7 segment LED Display 2.3" (48(W) × 70(H)mm)
Use for	Bathroom, Sauna (Wall hanging)
Power Supply	12V AC / DC ± 10%
Ambient Temp / Humi	0~70°C (32~158°F) 35~100%RH
Gross Weight	1.8kg

Indicator Series II - PT 100Ω

Temp & Humi Indicator



FOX-PM5000



- Material: stainless
- Wall hanging

Size (mm)	269(W) × 165(H) × 33(D)
Operating Range	-99 ~ 400°C
Input sensor	PT 100Ω 3M
Display Accuracy	±0.5%rdg ± 1 digit
Style of Instruction	7 segment LED Display 2.3" (48(W) × 70(H)mm)
Use for	Bathroom, Sauna (Wall hanging)
Power Supply	12V AC / DC ± 10%
Ambient Temp / Humi	0~70°C (32~158°F) 35~100%RH
Gross Weight	1.95kg

FOX-PM5000T



- Material: stainless
- Stand type

Size (mm)	269(W) × 165(H) × 33(D)
Operating Range	-99.0 ~ 400°C
Input sensor	PT 100Ω 3M
Display Accuracy	±0.5%rdg ± 1 digit
Style of Instruction	7 segment LED Display 2.3" (48(W) × 70(H)mm)
Use for	Bathroom, Sauna (Stand type)
Power Supply	12V AC / DC ± 10%
Ambient Temp / Humi	0~70°C (32~158°F) 35~100%RH
Gross Weight	2.5kg

FOX-PM5101



- Material: acryl
- Wall hanging type

Size (mm)	259(W) × 170(H) × 70(D)
Operating Range	-99.0 ~ 400°C
Input sensor	PT 100Ω 3M
Display Accuracy	±0.5%rdg ± 1 digit
Style of Instruction	7 segment LED Display 2.3" (48(W) × 70(H)mm)
Use for	Bathroom, Sauna (Wall hanging)
Power Supply	12V AC / DC ± 10%
Ambient Temp / Humi	0~70°C (32~158°F) 35~100%RH
Gross Weight	1.8kg

FOX-CM5000



- Material: stainless
- Wall hanging

Size (mm)	269(W) × 165(H) × 33(D)
Operating Range	0 ~ 1,200°C
Input sensor	CA(K)
Display Accuracy	± 1%rdg ± 1 digit
Style of Instruction	7 segment LED Display 2.3" (48(W) × 70(H)mm)
Use for	Non-Waterproof (Wall hanging)
Power Supply	12V AC / DC ± 10%
Ambient Temp / Humi	0~70°C (32~158°F) 35~100%RH
Gross Weight	1.6kg



Indicator Series III (Temp/Humi/Timer)

Temp & Humi Indicator

FOX-2121



- Display time, temperature humidity, day
- Digital temp./humi. sensor applied
- * 2.3" FND adopted within easy range of one's eye
- * Humi./ temp display embedded

Size (mm)	193.5(W) × 241(H) × 59(D)
Operating Range	Temp : Low Temp(Shield line) -20~65°C, High Temp(Teflon line) -20~85°C Humi : 0%Rh~100%Rh
Input sensor	DS-SH-series
Display Accuracy	±3%rdg ± 1digit
Power Supply	100 ~ 240VAC 50/60Hz
Ambient Temp / Humi	-20~65°C, 0%Rh~100%Rh
Gross Weight	1.9kg

CNT-PM3000



- * Small size temperature indicator
- * Wall / Stand combination
- * Non-water proof
- * Designed the big size FND 2.3" in order to see it easily from a distance

Size (mm)	182.59(W) × 136.71(H) × 30(D)
Operating Range	-50 ~ 99.9°C
Input sensor	NTC (10 kΩ) 5M
Display Accuracy	± 1%rdg ± 1digit
Style of Instruction	7 segment LED Display 2.3" (48(W) × 70(H)mm)
Power Supply	12V AC / DC ± 10%
Ambient Temp / Humi	0~60°C, 0%Rh~100%Rh
Use for	Non-Waterproof (Wall hanging type, stand type selectable)
Gross Weight	1.2kg

CNT-PM3100



- * Digital temperature & Humidity indicator
- * RS485 MODBUS RTU
- * °C, °F selectable
- * Selecting sensor (input/output)

Size (mm)	182.59(W) × 136.71(H) × 31(D)
Operating Range	Humi : 10~90%RH / Temp : -39.0°C~80.0°C
Input sensor	DS-SH (All-in-One)
Display Accuracy	± 1%rdg ± 1digit
Power Supply	12V AC / DC ± 10%
Ambient Temp / Humi	0~55°C (32~131°F), 35~80%Rh
Use for	Non-Waterproof (Wall hanging type, stand type selectable)
Gross Weight	1.2kg

CNT-DM3000



- * Remote monitoring of temp and humi with 1:1 communication MODBUS 485 Communication
- * Conotec protocol, Modbus RTU available 4~20mA input

Size (mm)	182.59(W) × 136.71(H) × 30(D)
Operating Range	Temp : -39.0.0°C ~ 80.0°C Humi : 10 ~ 90%H
Input sensor	4~20mA CURRENT(Temp,Humi)
Display Accuracy	± 1%rdg ± 1digit
Power Supply	12VDC 50/60HZ
Ambient Temp / Humi	0~60°C, 80%RH
Use for	Remote Indicator/ 485 communication
Gross Weight	1.2kg

Indicator Series IV (Panel Type)

Temp & Humi Indicator



M200



- Correction of the present temperature
- NTC 10kΩ sensor use

Size (mm)	77(W) × 35(H) × 78(D)
Operating Range	-55.0 ~ 99.9°C
Input sensor	NTC 10kΩ 3M
Display Accuracy	± 1%rdg ± 1 digit
Style of Instruction	7 segment LED Display
Use for	Only temp. display
Power Supply	230VAC 50/60Hz (Order production: 110VAC 50/60Hz, 12V AC/ DC ± 10%)
Ambient Temp / Humi	0~55°C (32~131°F) 35~80%RH
Cutting Size (mm)	71(W) × 29(H)
Gross Weight	258g

FM-2PT-1



- Correction of the present temperature
- PT 100Ω sensor use

Size (mm)	77(W) × 35(H) × 78(D)
Operating Range	-199.9 ~ 400°C
Input sensor	PT 100Ω
Display Accuracy	± 0.5%rdg ± 1 digit
Style of Instruction	7 segment LED Display
Use for	Only temp. display
Power Supply	100~240VAC 50/60Hz
Ambient Temp / Humi	0~55°C (32~131°F) 35~80%RH
Cutting Size (mm)	71(W) × 29(H)
Gross Weight	140g

FM-2CA-2



- Correction of the present temperature
- CA(K) sensor use

Size (mm)	77(W) × 35(H) × 78(D)
Operating Range	-50 ~ 1200°C
Input sensor	CA(K)
Display Accuracy	± 1%rdg ± 1 digit
Style of Instruction	7 segment LED Display
Use for	Only temp. display
Power Supply	100~240VAC 50/60Hz
Ambient Temp / Humi	0~55°C (32~131°F) 35~80%RH
Cutting Size (mm)	71(W) × 29(H)
Gross Weight	140g

FM-2HD



- Correction of the present humidity
- HCPV-220H sensor use

Size (mm)	77(W) × 35(H) × 78(D)
Operating Range	Humi. : 10 ~ 95%Rh
Input sensor	HCPV-220H 3M
Display Accuracy	Humi. : ± 3%rdg ± 1 digit
Style of Instruction	7 segment LED Display
Power Supply	230VAC 50/60Hz
Ambient Temp / Humi	0~55°C (32~131°F) 35~80%RH
Cutting Size (mm)	71(W) × 29(H)
Gross Weight	140g(No sensor), 240g(Sensor included)



Indicator Series V (Large size display)

Temp Indicator

FM-5N



- Large sized display
- LED's height : 20.3mm
- NTC 10K Ω

Size (mm)	96(W) × 48(H) × 109(D)
Operating Range	-55.0 ~ 99.9°C
Input sensor	NTC 10k Ω 3M
Display Accuracy	$\pm 1\%$ rdg ± 1 digit
Style of Instruction	7 segment LED Display
Use for	Only temp. display
Power Supply	100~240VAC 50/60Hz
Ambient Temp / Humi	0~55°C (32~131°F) 35~80%RH
Cutting Size (mm)	91(W) × 45(H)
Gross Weight	330g

FM-5P



- Large sized display
- LED's height : 20.3mm
- PT 100 Ω

Size (mm)	96(W) × 48(H) × 109(D)
Operating Range	-199.9 ~ 400°C
Input sensor	PT 100 Ω
Display Accuracy	$\pm 0.5\%$ rdg ± 1 digit
Style of Instruction	7 segment LED Display
Use for	Only temp. display
Power Supply	100~240VAC 50/60Hz
Ambient Temp / Humi	0~55°C (32~131°F) 35~80%RH
Cutting Size (mm)	91(W) × 45(H)
Gross Weight	275g

FM-5C

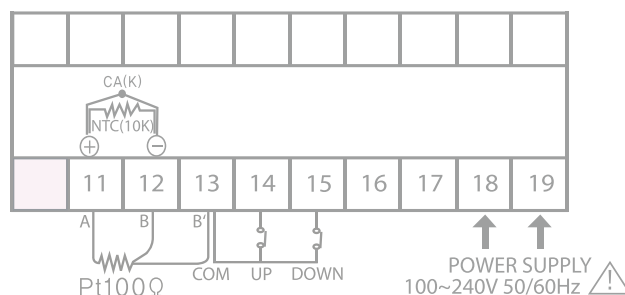


- Large sized display
- LED's height : 20.3mm
- CA(K)

Size (mm)	96(W) × 48(H) × 109(D)
Operating Range	-50 ~ 1200°C
Input sensor	CA(K)
Display Accuracy	$\pm 1\%$ rdg ± 1 digit
Style of Instruction	7 segment LED Display
Use for	Only temp. display
Power Supply	100~240VAC 50/60Hz
Ambient Temp / Humi	0~55°C (32~131°F) 35~80%RH
Cutting Size (mm)	91(W) × 45(H)
Gross Weight	275g

Terminal wiring diagram

FM-5P
FM-5C
FM-5N



Temp.&Humi. Controller Series I (2 Relays)

Smart Controller



FOX-300-2S1 (DS-SH Sensor) / FOX-300A-1 / AR1



- Control concurrently of temperature and humidity
- Correction function of present temperature or humidity
- RS485 Communication (applicable to 300AR)

Size (mm)	72(W) × 72(H) × 110(D)
Operating Range	Temp: -40.0 ~ 65°C / Humi: 10~95%RH
Input sensor	HCPV - 220NH
Display Accuracy	Temp : ± 1%rdg ± 1digit Humi : ± 3%rdg ± 1digit
Output	2relay(2c 250VAC 2A) 1R: Temp. 1R: Humidity
Programming	°Cset / %Set / Up / Down / Left / Right Key
Cutting Size (mm)	68(W) × 68(H)
Ambient Temp / Humi	0~55°C (32~131°F) 35~80%RH
Control Method	ON / OFF
Gross Weight	460g
Power Supply	100~240VAC 50/60Hz

FOX-300JR1



- Control concurrently of temperature and humidity
- Correction function of present temperature or humidity
- Designed the big size FND 2.3 " in order to see it easily from a distance
- RS485 Communication

Size (mm)	194(W) × 241(H) × 60(D)
Operating Range	Temp: -40.0 ~ 65°C / Humi: 10~95%RH
Input sensor	HCPV - 220NH
Display Accuracy	Temp : ± 1%rdg ± 1digit Humi : ± 3%rdg ± 1digit
Output	2relay(2c 250VAC 2A) 1R: Temp. 1R: Humidity
Programming	°Cset / %Set / Up / Down Key
Use for	Wall hanging
Ambient Temp / Humi	0~55°C (32~131°F) 35~80%RH
Control Method	ON / OFF
Gross Weight	2.1kg
Power Supply	100~240VAC 50/60Hz

FOX-8300R1



- Control concurrently of temperature and humidity
- Correction function of present temperature or humidity
- RS485 Communication

Size (mm)	94(W) × 150(H) × 39(D)
Operating Range	Temp: -40.0 ~ 65°C / Humi: 10~95%RH
Input sensor	HCPV - 220NH
Display Accuracy	Temp : ± 1%rdg ± 1digit Humi : ± 3%rdg ± 1digit
Output	2relay(2c 250VAC 2A) 1R: Temp. 1R: Humidity
Programming	°Cset / %Set / Up / Down / Power Key
Use for	Choice of panel mounting or wall mounting
Ambient Temp / Humi	0~55°C (32~131°F) 35~80%RH
Control Method	ON / OFF
Gross Weight	410g
Power Supply	100~240VAC 50/60Hz



Temp.&Humi. Controller Series II (4 Relays) RS485

Smart Controller

FOX-301AR1



- Temp: Cooling / heating each control
- Humi: Dehumi. / Humi each control
- RS485 Communication

Size (mm)	72(W) × 72(H) × 110(D)
Operating Range	Temp: -40.0 ~ 65°C / Humi: 10~95%RH
Input sensor	HCPV - 220NH
Display Accuracy	Temp : ±1%rdg ± 1digit Humi : ±3%rdg ± 1digit
Output	4relay(4a 250VAC 2A) 1R: Temp. 2R: Temp. 3R: Humi. 4R: Humi.
Programming	°Cset / %Set / Up / Down / Left / Right Key
Cutting Size (mm)	68(W) × 68(H)
Ambient Temp / Humi	0~55°C (32~131°F) 35~80%RH
Control Method	ON / OFF
Gross Weight	460g
Power Supply	100~240VAC 50/60Hz

FOX-301JR1



- Temp: Cooling / heating each control
- Humi: Dehumi. / Humi each control
- Designed the big size FND 2.3 " in order to see it easily from a distance
- RS485 Communication

Size (mm)	194(W) × 241(H) × 59(D)
Operating Range	Temp: -40.0 ~ 65°C / Humi: 10~95%RH
Input sensor	HCPV - 220NH
Display Accuracy	Temp : ±1%rdg ± 1digit Humi : ±3%rdg ± 1digit
Output	4relay(4a 250VAC 2A) 1R: Temp. 2R: Temp. 3R: Humi. 4R: Humi.
Programming	°Cset / %Set / Up / Down Key
Use for	Wall hanging
Ambient Temp / Humi	0~55°C (32~131°F) 35~80%RH
Control Method	ON / OFF
Gross Weight	2.4kg
Power Supply	100~240VAC 50/60Hz

FOX-8301R1



- Temp: Cooling / heating each control
- Humi: Dehumi. / Humi each control
- RS485 Communication

Size (mm)	94(W) × 150(H) × 39(D)
Operating Range	Temp: -40.0 ~ 65°C / Humi: 10~95%RH
Input sensor	HCPV - 220NH
Display Accuracy	Temp : ±1%rdg ± 1digit Humi : ±3%rdg ± 1digit
Output	4relay(4a 250VAC 2A) 1R: Temp. 2R: Temp. 3R: Humi. 4R: Humi.
Programming	°Cset / %Set / Up / Down / Power Key
Use for	Choice of panel mounting or wall mounting
Ambient Temp / Humi	0~55°C (32~131°F) 35~80%RH
Control Method	ON / OFF
Gross Weight	410g
Power Supply	100~240VAC 50/60Hz

Temp.&Humi. Controller Series III (4 Relays)

RS485

Smart Controller



FOX-302R1



- 1-stage output: temp & humidity control output
- 2-stage output: alarm output or temp. humidity
- Alarm function of the highest or lowest limit
- RS485 Communication

Size (mm)	72(W) × 72(H) × 110(D)
Operating Range	Temp : -55.0 ~ 99.9°C / Humi : 10~95%RH
Input sensor	FS-200N (Temp), HCPV - 220H (Humi)
Display Accuracy	Temp : ±1%rdg ± 1 digit Humi : ±3%rdg ± 1 digit
Output	4relay(4a 250VAC 2A) 1R: Temp. 2R: Temp. 3R: Humi. 4R: Humi.
Programming	°Cset / %Set / Up / Down / Left / Right Key
Cutting Size (mm)	68(W) × 68(H)
Ambient Temp / Humi	0~55°C (32~131°F) 35~80%RH
Control Method	ON / OFF
Gross Weight	500g
Power Supply	100~240VAC 50/60Hz

FOX-9302R1



- 1-stage output: temp & humidity control output
- 2-stage output: alarm output or temp. humidity
- Alarm function of the highest or lowest limit
- RS485 Communication

Size (mm)	96(W) × 48(H) × 110(D)
Operating Range	Temp : -55.0 ~ 99.9°C / Humi : 10~95%RH
Input sensor	FS-200N (Temp), HCPV - 220H (Humi)
Display Accuracy	Temp : ±1%rdg ± 1 digit Humi : ±3%rdg ± 1 digit
Output	4relay(4a 250VAC 2A) 1R: Temp. 2R: Temp. 3R: Humi. 4R: Humi.
Programming	°Cset / %Set / Up / Down Key
Cutting Size (mm)	91(W) × 45(H)
Ambient Temp / Humi	0~55°C (32~131°F) 35~80%RH
Control Method	ON / OFF
Gross Weight	400g
Power Supply	100~240VAC 50/60Hz

FOX-8302R1



- 1-stage output: temp & humidity control output
- 2-stage output: alarm output or temp. humidity
- Alarm function of the highest or lowest limit
- RS485 Communication

Size (mm)	94(W) × 150(H) × 39(D)
Operating Range	Temp : -55.0 ~ 99.9°C / Humi : 10~95%RH
Input sensor	FS-200N (Temp), HCPV - 220H (Humi)
Display Accuracy	Temp : ±1%rdg ± 1 digit Humi : ±3%rdg ± 1 digit
Output	4relay(4a 250VAC 2A) 1R: Temp. 2R: Temp. 3R: Humi. 4R: Humi.
Programming	°Cset / %Set / Up / Down / Power Key
Use for	Choice of panel mounting or wall mounting
Ambient Temp / Humi	0~55°C (32~131°F) 35~80%RH
Control Method	ON / OFF
Gross Weight	400g
Power Supply	100~240VAC 50/60Hz



Humidity Controller Series I

Humidity Controller

FOX-1H



- Selection of dehumid or humidity
- Correction of the present humidity

Size (mm)	77(W) × 35(H) × 78(D)
Operating Range	10~95%RH
Input sensor	HCPV – 220H
Display Accuracy	± 5%rdg ± 1digit
Output	1relay(1c 250VAC 2A)
Programming	Set / Up / Down Key
Cutting Size (mm)	71(W) × 29(H)
Ambient Temp / Humi	0~55°C (32~131°F) 35~80%RH
Control Method	ON / OFF
Gross Weight	312g
Power Supply	230VAC 50/60Hz (Order production: 110VAC 50/60Hz, 12V AC/DC ± 10%)

FOX-1H-2



- Selection of dehumid or humidity
- Correction of the present humidity

Size (mm)	77(W) × 35(H) × 78(D)
Operating Range	10~95%RH
Input sensor	HCPV – 220H
Display Accuracy	± 5%rdg ± 1digit
Output	1relay(1c 250VAC 2A)
Programming	Set / Up / Down Key
Cutting Size (mm)	71(W) × 29(H)
Ambient Temp / Humi	0~55°C (32~131°F) 35~80%RH
Control Method	ON / OFF
Gross Weight	310g
Power Supply	230VAC 50/60Hz (Order production: 110VAC 50/60Hz, 12V AC/DC ± 10%)

NF-4HR-1



- Selection of dehumid or humidity
- Correction of the present humidity

Size (mm)	48(W) × 48(H) × 106(D)
Operating Range	10~95%RH
Input sensor	HCPV – 220H
Display Accuracy	± 3%rdg ± 1digit
Output	1relay(1c 250VAC 2A)
Programming	Sys / Set / Up / Down Key
Cutting Size (mm)	45(W) × 45(H)
Ambient Temp / Humi	0~55°C (32~131°F) 35~80%RH
Control Method	ON / OFF
Gross Weight	320g
Power Supply	230VAC 50/60Hz (Order production: 110VAC 50/60Hz, 12V AC/DC ± 10%)

NF-7HR-1



- Selection of dehumid or humidity
- Correction of the present humidity

Size (mm)	72(W) × 72(H) × 110(D)
Operating Range	10~95%RH
Input sensor	HCPV – 220H
Display Accuracy	± 3%rdg ± 1digit
Output	1relay(1c 250VAC 2A)
Programming	Set / Up / Down / Left / Right Key
Cutting Size (mm)	68(W) × 68(H)
Ambient Temp / Humi	0~55°C (32~131°F) 35~80%RH
Control Method	ON / OFF
Gross Weight	450g
Power Supply	100~240VAC 50/60Hz

Humidity Controller Series II

Humidity Controller



CNT-2H



- Selection of dehumid or humidity
- Correction of the present humidity
- 1-stage output: control of humidity
- 2-stage output: 2nd humidity setting or time output

Size (mm)	77(W) × 35(H) × 78(D)
Operating Range	10 ~ 95% RH
Input sensor	HCPV - 220H
Display Accuracy	± 3%rdg ± 1 digit
Output	2relay(1c 1a 250VAC 2A) 1R: Humi. 2R: Humi. or time output
Programming	Set / Up / Down Key
Cutting Size (mm)	71(W) × 29(H)
Ambient Temp / Humi	0~55°C (32~131°F) 35~80%RH
Control Method	ON / OFF
Gross Weight	234g
Power Supply	230VAC 50/60Hz (Order production: 110VAC 50/60Hz, 12V AC/DC ± 10%)

CNT-2H-2



- Selection of dehumid or humidity
- Correction of the present humidity
- 1-stage output: control of humidity
- 2-stage output: 2nd humidity setting or time output

Size (mm)	77(W) × 35(H) × 78(D)
Operating Range	10 ~ 95% RH
Input sensor	HCPV - 220H
Display Accuracy	± 3%rdg ± 1 digit
Output	2relay(1c 1a 250VAC 2A) 1R: Humi. 2R: Humi. or time output
Programming	Set / Up / Down Key
Cutting Size (mm)	91(W) × 45(H)
Ambient Temp / Humi	0~55°C (32~131°F) 35~80%RH
Control Method	ON / OFF
Gross Weight	320g
Power Supply	230VAC 50/60Hz (Order production: 110VAC 50/60Hz, 12V AC/DC ± 10%)

CNT-4HRA



- Selection of dehumid or humidity
- Correction of the present humidity
- 1-stage output: control of humidity
- 2-stage output: 2nd humidity setting or time output

Size (mm)	48(W) × 48(H) × 106(D)
Operating Range	10 ~ 95% RH
Input sensor	HCPV - 220H
Display Accuracy	± 3%rdg ± 1 digit
Output	2relay(1c 1a 250VAC 2A) 1R: Humi. 2R: Humi. or time output
Programming	Sys / Set / Up / Down Key
Cutting Size (mm)	45(W) × 45(H)
Ambient Temp / Humi	0~55°C (32~131°F) 35~80%RH
Control Method	ON / OFF
Gross Weight	320g
Power Supply	230VAC 50/60Hz (Order production: 110VAC 50/60Hz, 12V AC/DC ± 10%)



Humidity Controller Series III (DS-SH Sensors)

Humidity Controller

CNT-1SH-1



- Selection of dehumid or humidity
- Correction of the present humidity
- Temperature display + Humi
- High temperature (85°C)
- Heating element for prevention of dew

Size (mm)	77(W) × 35(H) × 78(D)
Operating Range	0~100.0%RH
Input sensor	DS-SH-series
Display Accuracy	±2%rdg ±1digit
Output	1relay(1c 250VAC 2A)
Programming	Set / Up / Down Key
Cutting Size (mm)	71(W) × 29(H)
Ambient Temp / Humi	0~55°C (32~131°F) 35~80%RH
Control Method	ON / OFF
Gross Weight	380g
Power Supply	230VAC 50/60Hz (Order production: 110VAC 50/60Hz, 12V AC/DC ±10%)

CNT-1SHR-1



- Selection of dehumid or humidity
- Correction of the present humidity
- Temperature display + Humi
- High temperature (85°C)
- Heating element for prevention of dew
- RS485 Communication

Size (mm)	77(W) × 35(H) × 78(D)
Operating Range	0~100.0%RH
Input sensor	DS-SH-series
Display Accuracy	±2%rdg ±1digit
Output	1relay(1c 250VAC 2A)
Programming	Set / Up / Down Key
Cutting Size (mm)	71(W) × 29(H)
Ambient Temp / Humi	0~55°C (32~131°F) 35~80%RH
Control Method	ON / OFF
Gross Weight	380g
Power Supply	230VAC 50/60Hz (Order production: 110VAC 50/60Hz, 12V AC/DC ±10%)

CNT-2SH-1



- Main output: dehumid/humi.
- Aux. output: 2-stage humi. or time
- present humi correction
- Humi/temp display
- Sensor heating element for prevention of dew
- High temperature (85°C)

Size (mm)	77(W) × 35(H) × 78(D)
Operating Range	0~100.0%RH
Input sensor	DS-SH-series
Display Accuracy	±2%rdg ±1digit
Output	2relay(1a 1a 250VAC 2A)
Programming	Set / Up / Down Key
Cutting Size (mm)	71(W) × 29(H)
Ambient Temp / Humi	0~55°C (32~131°F) 35~80%RH
Control Method	ON / OFF
Gross Weight	400g
Power Supply	230VAC 50/60Hz (Order production: 110VAC 50/60Hz, 12V AC/DC ±10%)

CNT-2SHR-1



- Main output: dehumid/humi.
- Aux. output: 2-stage humi. or time
- present humi correction
- Humi/temp display
- Sensor heating element for prevention of dew
- High temperature (85°C)
- RS485 Communication

Size (mm)	77(W) × 35(H) × 78(D)
Operating Range	0~100.0%RH
Input sensor	DS-SH-series
Display Accuracy	±2%rdg ±1digit
Output	2relay(1a 1a 250VAC 2A)
Programming	Set / Up / Down Key
Cutting Size (mm)	71(W) × 29(H)
Ambient Temp / Humi	0~55°C (32~131°F) 35~80%RH
Control Method	ON / OFF
Gross Weight	400g
Power Supply	230VAC 50/60Hz (Order production: 110VAC 50/60Hz, 12V AC/DC ±10%)

Humidity Controller Series IV (DS-SH Sensors)

Humidity Controller



CNT-2SHA-1



- Main output : dehumid/humi.
- Aux. output : 2-stage humi. or time
- Correction of the present humidity
- Humi/temp display
- Sensor heating element for prevention of dew
- High temp. sensor usable (85°C)

Size (mm)	77(W) × 35(H) × 78(D)
Operating Range	0~100.0%RH
Input sensor	DS-SH-series
Display Accuracy	±2%rdg ±1digit
Output	2relay(2a 250VAC 2A)
Programming	Set / Up / Down Key
Cutting Size (mm)	71(W) × 29(H)
Ambient Temp / Humi	0~55°C (32~131°F) 35~80%RH
Control Method	ON / OFF
Gross Weight	400g
Power Supply	230VAC 50/60Hz (Order production: 110VAC 50/60Hz, 12V AC/DC ±10%)

CNT-2SHAR-1



- Main output : dehumid/humi.
- Aux. output : 2-stage humi. or time
- Correction of the present humidity
- Humi/temp display
- Sensor heating element for prevention of dew
- High temp. sensor usable (85°C)

Size (mm)	77(W) × 35(H) × 78(D)
Operating Range	0~100.0%RH
Input sensor	DS-SH-series
Display Accuracy	±2%rdg ±1digit
Output	2relay(2a 250VAC 2A)
Programming	Set / Up / Down Key
Cutting Size (mm)	71(W) × 29(H)
Ambient Temp / Humi	0~55°C (32~131°F) 35~80%RH
Control Method	ON / OFF
Gross Weight	400g
Power Supply	230VAC 50/60Hz (Order production: 110VAC 50/60Hz, 12V AC/DC ±10%)

CNT-2SHT-1



- Temp. control output
- Humi/temp display
- High temp. sensor usable (85°C)

Size (mm)	77(W) × 35(H) × 78(D)
Operating Range	0~100.0%RH
Input sensor	DS-SH-series
Display Accuracy	±2%rdg ±1digit
Output	2relay(2a 250VAC 2A)
Programming	Set / Up / Down Key
Cutting Size (mm)	71(W) × 29(H)
Ambient Temp / Humi	0~55°C (32~131°F) 35~80%RH
Control Method	ON / OFF
Gross Weight	400g
Power Supply	230VAC 50/60Hz (Order production: 110VAC 50/60Hz, 12V AC/DC ±10%)

CNT-2SHTR-1 (Temp/Humi)



- Temp. control output
- Humi/temp display
- High temp. sensor usable (85°C)
- RS485 Communication

Size (mm)	77(W) × 35(H) × 78(D)
Operating Range	0~100.0%RH
Input sensor	DS-SH-series
Display Accuracy	±2%rdg ±1digit
Output	2relay(2a 250VAC 2A)
Programming	Set / Up / Down Key
Cutting Size (mm)	71(W) × 29(H)
Ambient Temp / Humi	0~55°C (32~131°F) 35~80%RH
Control Method	ON / OFF
Gross Weight	400g
Power Supply	230VAC 50/60Hz (Order production: 110VAC 50/60Hz, 12V AC/DC ±10%)



Panel Meter

Multi-Panel Meter



Size (mm)	77(W) × 35(H) × 78(D)	Ambient Temp/Humi	0~50°C, 35~85%RH
Max input	AV: 0~600V	Output Range	AV: 600V
	AA: 0~5A		AA: 5A
	DV: 0~800V		DV: 800V
	DA: 0~5A		DA: 5A
Gross Weight	100g	Accuracy	DM2: ±0.3%rdg ±3digit
Power Supply	AC 110~240V	Polarity	If DC input signal is reversed

Panel Meter



Name of Specification	<p>FM - ■■■ - ■</p> <p>2 : 77 × 35mm SIZE</p> <p>■■■ : Name</p> <p>■ ■ : DV : DC-VOLT DA : AMPERE(50mV) AV : VOLT AA : AC-AMPERE(AC5A Output C.T) RPM(DC/AC 0-10V Input)</p>	F : FOX M : METER
Model per Specification	DC VOLT METER FM-□ DV-□ DC AMPERE METER FM-□ DA-□ AC VOLT METER FM-□ AV-□ AC AMPERE METER FM-□ AA-□ RPM METER FM-□ RPM	

Panel meter specifications



- Power Supply : 230VAC 50/60Hz
 [Order Production : 110VAC 50/60H, 12 or 24V AC/DC \pm 10%]

Type	Name	Input Specification	Display Scale
(DC VOLT) FM-2 DV-□	3	0~20V	20V
	4	0~200V	200V
(DC AMPERE) FM-2 DA-□	1	0~50mV	20A
(AC VOLT) FM-2 AV-□	5	0~600V	600V
(AC AMPERE) FM-2 AA-□	1	0~5A	20A
	2	0~5A	200A
	4	0~2A	2A
	50	0~5A	50A
	100	0~5A	100A
	300	0~5A	300A





Counter & Timer Series

Digital Counter



FOX-CTM series

FOX-CTM5 : 96 X 48 size

FOX-CTM7 : 72 X 72 size

Specifications

- AC power : 100~240VAC 50/60hz
- Relay output : 2EA (1c, 1a)
- Capacity : 250VAC 2A / Resistive load
- Open Collector(Tr) output : 3EA / Volume : 30VDC Max, 100mA Max
- External Power : 12VDC \pm 10% , 200mA Max
(ex : Sensor operation Power)

Main Functions

Counter	Timer
<ul style="list-style-type: none"> • Prescale • 10Kcps • Max counting speed • 0~999999 • Input mode : 12 kinds • Output mode : 8 kinds • Decimal 3digits 	<ul style="list-style-type: none"> • Time indicaton 10 counting / 60 system • Max speed 0.01sec (10ms) • Input mode: 3 kinds • Output mode: 8 kinds

- Batch counter (0~999999)
- When power off counting value storage (ON / OFF selectable)
- Output time setting available (0.01sec ~ 99.99sec)
- External input
: CP1(START), CP2(INHIBIT), RESET, BATCH RESET(NPN/PNP selectable)

CNT-T1



- "Minute", "Hour" setting function
- 24-channel setting / electrostatic storage function
- Indication of the present time
- 3kinds of control made (LOOP, SEQ, LOOP SEQ)

Size (mm)	77(W) × 35(H) × 78(D)
Operating Range	00:00~23:59
Output	1relay (1c 250VAC 3A)
Control Method	ON / OFF
Power Supply	230VAC 50/60Hz (Order production: 110VAC 50/60Hz, 12V AC/ DC ±10%)
Programming	Set / Up / Down Key
Cutting Size (mm)	71(W) × 29(H)
Ambient Temp / Humi	0~55°C (32~131°F) 35~80%RH
Gross Weight	196g

FOX-TT1



- "Minute", "Hour" setting function
- 24-channel setting / electrostatic storage function
- Indication of the present time
- 3kinds of control made (LOOP, SEQ, LOOP SEQ)

Size (mm)	48(W) × 48(H) × 106(D)
Operating Range	00:00~23:59
Output	1relay (1c 250VAC 3A)
Control Method	ON / OFF
Power Supply	230VAC 50/60Hz (Order production: 110VAC 50/60Hz, 12V AC/ DC ±10%)
Programming	Rst / Pgm / Mov / Up Key
Cutting Size (mm)	45(W) × 45(H)
Ambient Temp / Humi	0~55°C (32~131°F) 35~80%RH
Gross Weight	210g

CNT-T2



- Single or Twin timer operation
- Add-subtract time

Size (mm)	77(W) × 35(H) × 78(D)
Operating Range	0~9999
Output	1relay (1c 250VAC 3A)
Control Method	ON / OFF
Power Supply	230VAC 50/60Hz (Order production: 110VAC 50/60Hz, 12V AC/ DC ±10%)
Programming	Rst / Pgm / Mov / Up Key
Cutting Size (mm)	71(W) × 29(H)
Ambient Temp / Humi	0~55°C (32~131°F) 35~80%RH
Gross Weight	194g

FOX-TT2



- Single or Twin timer operation
- Add-subtract time

Size (mm)	48(W) × 48(H) × 106(D)
Operating Range	0~9999
Output	1relay (1c 250VAC 3A)
Control Method	ON / OFF
Power Supply	230VAC 50/60Hz (Order production: 110VAC 50/60Hz, 12V AC/ DC ±10%)
Programming	Rst / Pgm / Mov / Up Key
Cutting Size (mm)	45(W) × 45(H)
Ambient Temp / Humi	0~55°C (32~131°F) 35~80%RH
Gross Weight	200g



Temperature Sensor (NTC)

S-N03



Size (mm)	6.0(Φ) × 30(L)
Sensor type	NTC(10KΩ)
Sensor case	Nylon+GF
Sensor Cable	2C X 22AWG
Operating range	-55~99.0°C
Application model	DSFOX-X10, DSFOX-XR10, DSFOX-GH30, DSFOX-SLR40, DSFOX-SL30, DSFOX-CL30

S-N03-3.3K



Size (mm)	4.5(Φ) × 20(L)
Sensor type	NTC(3.3kΩ)
Sensor case	Nylon+GF
Sensor Cable	FT-MC-H-FF 24AWGx2C(BLACK) / 1.5M
Operating range	-20.0~200.0°C
Application model	DSFOX-MR20

FS-200N



Size (mm)	6.0(Φ) × 60(L)
Sensor type	NTC(10KΩ)
Sensor case	SUS
Sensor Cable	2C × 0.35Q
Operating range	-55~90.9°C
Application model	FOX-2001 / FOX-2002 / FOX-2003 / FOX-2004 / FOX-2005 / FOX-2006 / FOX-2001D / FOX-2001T / FOX-2001F / FOX-2000TX / NF-9N24 / FOX-7ND / FOX-2001CC / FOX-2002CC / FOX-2003CC / FOX-2001TX / FOX-2002TX / FOX-2003TX / FOX-2108 / FOX-2208 / FOX-2208A / FOX-2003SS / FM-5N / EURO SERIES

FS-201N



Size (mm)	7.5(Φ) × 35(L)
Sensor type	NTC(10KΩ)
Sensor case	PVC
Sensor Cable	22 × 2C cable (5Φ)
Operating range	-50~99.9°C
Application model	FOX-C1

Temperature Sensor (PT & CA)



FS-400P



Size (mm)	6.4(φ) × 100(L)
Sensor type	PT100Ω
Sensor case	SUS
Sensor Cable	Teflon 3P (Silicon)
Operating range	-100~200°C
Application model	FOX-1PH / FOX-2P1 / FOX-2P2 / NF-7PR5 / NF-9P24 / FOX-2PT / FOX-2PF / FOX-2PD1 / FM-5P / PT SERIES / DSFOX-TP10 / DSFOX-TP20 / DSFOX-TPI

FS-401P



Size (mm)	6.4(φ) × 35(L) × 1/8PT
Sensor type	PT100Ω
Sensor case	SUS
Sensor Cable	(Teflon + Shield)
Operating range	-100~200°C
Application model	FOX-1PH / FOX-2P1 / FOX-2P2 / NF-7PR5 / NF-9P24 / FOX-2PT / FOX-2PF / FOX-2PD1 / FM-5P / PT SERIES / DSFOX-TP10 / DSFOX-TP20 / DSFOX-TPI

FS-501C



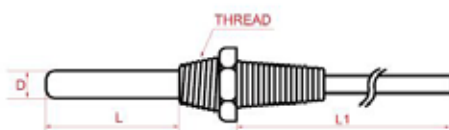
Size (mm)	6.4(φ) × 100(L) × 1/8PT
Sensor type	CA(K)
Sensor case	SUS
Sensor Cable	Braided Shield (Chromel + / Alumel -)
Operating range	-50~1200°C
Application model	FOX-1CH / FOX-2C1 / FOX-2C2 / NF-7CR5 / FOX-2CD / FOX-2CT / FOX-2CD1 / FM-5C / FM-2CA-2/CA(K) SERIES / DSFOX-TC10 / DSFOX-TC20



(mm)	D	D1	L	L1
FS-100D	6.5	7.5	35	3M
FS-201N	6.5	7.5	35	3M



(mm)	D	L	L1
FS-200N	6.4	60	3M
FS-400P	6.5	100	0.7M



(mm)	D	L	L1	THREAD
FS-401P	6.4	35	3M	1/8PT
FS-501C	6.4	100	3M	1/8PT



Humi/Temp.&Humi Sensor Series (HCPV-220 Sensor)

HCPV-220H Humidity Sensor



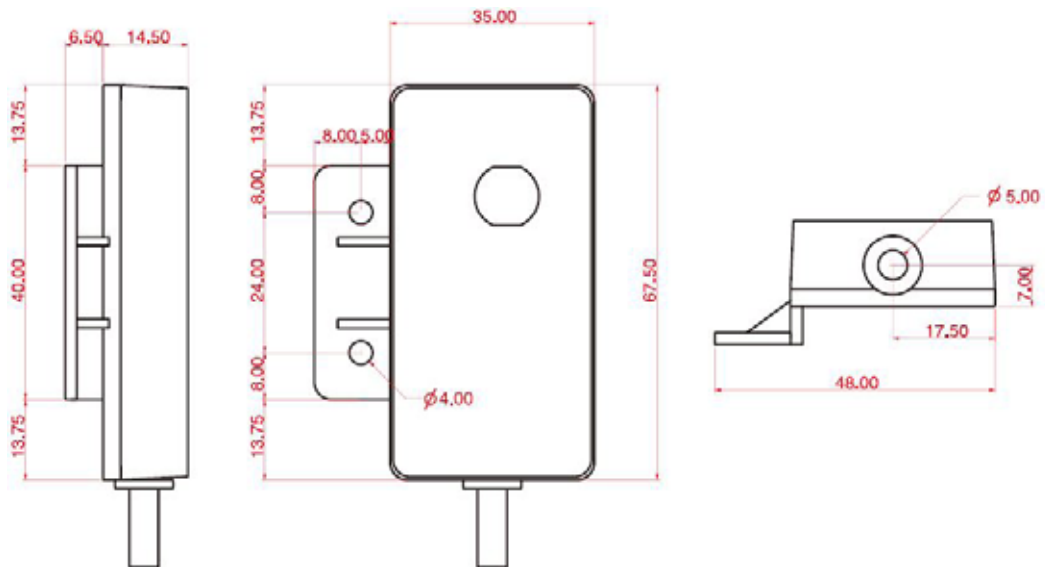
Size (mm)	35(W) × 67.5(L) × 21(H)mm
Sensor Cable	2p Shields
Sensor case	PVC
Operating range	10~95%
Application model	FOX-1H, FOX-1H-2, NF-9H24, NF-7HR-1, CNT-2H, CNT-2H-2
Ambient Temp / Humi	-40~85°C

HCPV-220NH Temp./Humi. Sensor



Size (mm)	35(W) × 67.5(L) × 21(H)mm
Sensor cable	4p Shields
Sensor case	PVC
Operating range	Temp : -40~65°C / Humi : 10~95%
Application model	FOX-300Series, 301Series, 8300R1, 8301R1

HCPV-220H & HCPV-220NH

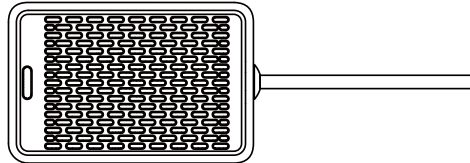


Temp&Humi Sensor Series (DS-SH Sensor)

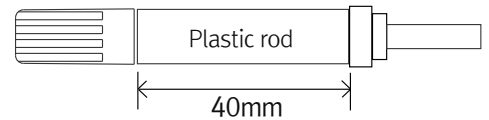


CNT-H Series (Temp./Humi. Sensor)

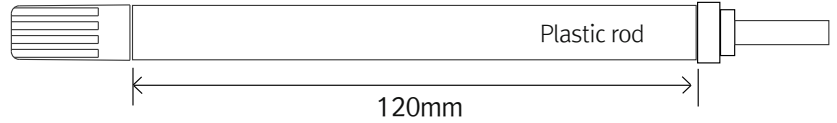
S : Low temperature case



C4 : Plastic rod 40mm



C12 : Plastic rod 120mm



Sensor Model	Sensor Type A : Analog Type D : Digital Type	Sensor Case C4 : Plastic rod 40mm C12 : Plastic rod 120mm S : Low temperature Case	Sensor Cable T:Teflon sensor (high temp.) - Basic:1.5M/Max:2.5M S:Shield sensor (low temp.) - Basic:3M/Max:20M	Temperature sensor application N:10K NTC sensor applied to Analog type sensor	Ambient Temp
CNT-HDC4T	D:Digital Type	C4 : Plastic rod 40mm	T:Teflon sensor (high temp.)	-	-39.9~85.0°C
CNT-HDC12T	D:Digital Type	C12 : Plastic rod 120mm	T:Teflon sensor (high temp.)	-	-39.9~85.0°C
CNT-HDC4S	D:Digital Type	C4 : Plastic rod 40mm	S:Shield sensor (low temp.)	-	-39.9~65.0°C
CNT-HDC12S	D:Digital Type	C12 : Plastic rod 120mm	S:Shield sensor (low temp.)	-	-39.9~65.0°C
CNT-HDSS	D:Digital Type	S : Low temperature Case	S:Shield sensor (low temp.)	-	-39.9~65.0°C

Humidity Range : 0.0~100.0%Rh

Application model : CNT-1SH-1,CNT-1SHR-1,CNT-2SH-1,CNT-2SHR-1,CNT-2SHA-1,CNT-2SHAR-1,
CNT-2SHT-1,CNT-2SHTR-1,FOX-300-2S1

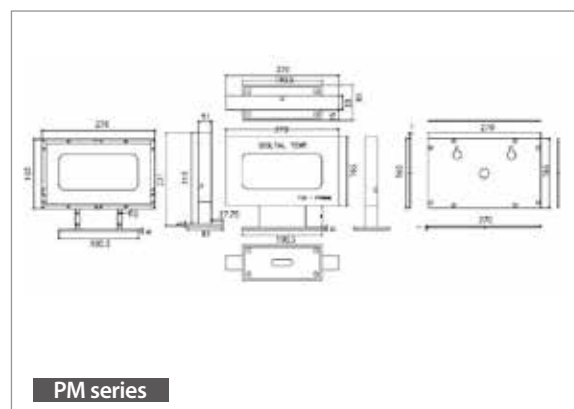
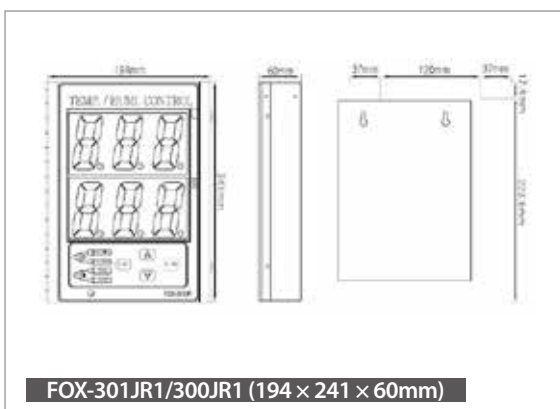
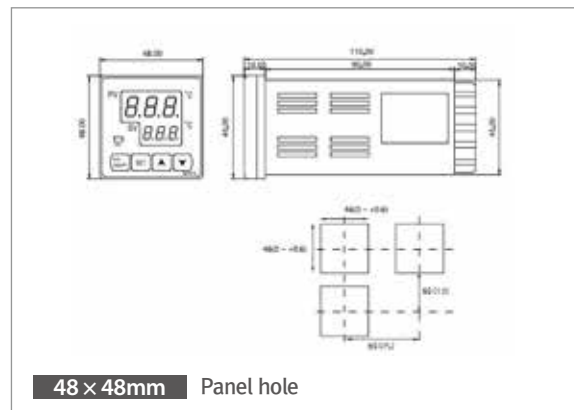
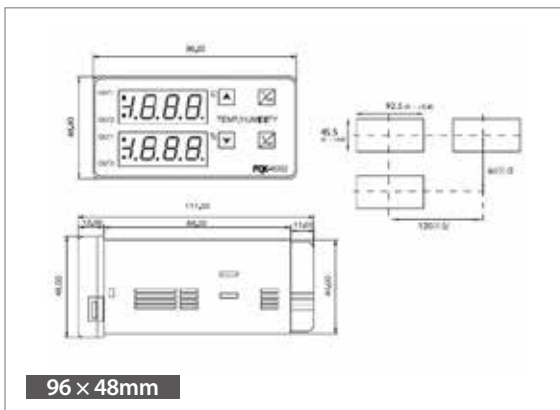
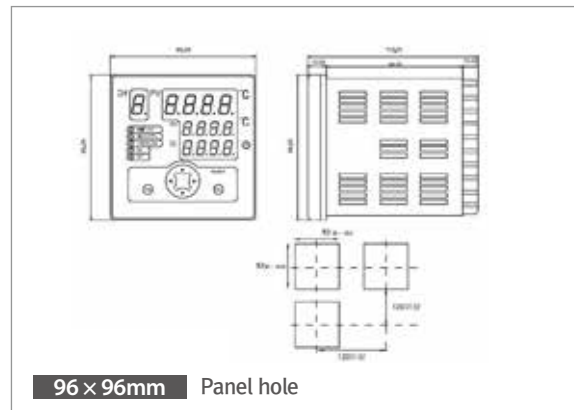
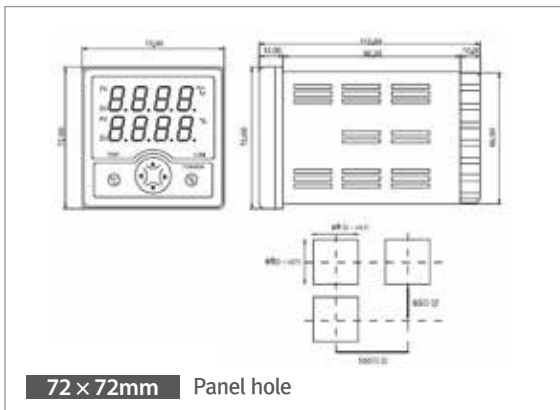
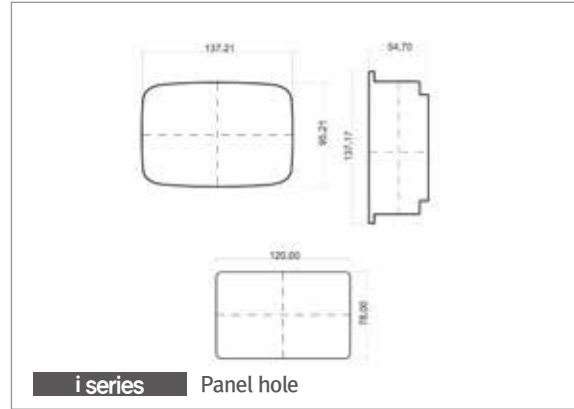
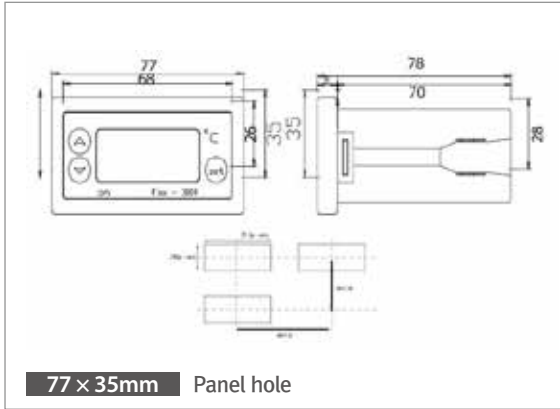
Sensor Model	Sensor Type A : Analog Type D : Digital Type	Sensor Case C4 : Plastic rod 40mm C12 : Plastic rod 120mm S : Low temperature Case	Sensor Cable T:Teflon sensor (high temp.) - Basic:1.5M/Max:2.5M S:Shield sensor (low temp.) - Basic:3M/Max:20M	Temperature sensor application N:10K NTC sensor applied to Analog type sensor	Ambient Temp
CNT-HAC4TN	A:Analog Type	C4 : Plastic rod 40mm	T:Teflon sensor (high temp.)	N:10K NTC sensor applied	-39.9~85.0°C
CNT-HAC12TN	A:Analog Type	C12 : Plastic rod 120mm	T:Teflon sensor (high temp.)	N:10K NTC sensor applied	-39.9~85.0°C
CNT-HAC4SN	A:Analog Type	C4 : Plastic rod 40mm	S:Shield sensor (low temp.)	N:10K NTC sensor applied	-39.9~65.0°C
CNT-HAC12SN	A:Analog Type	C12 : Plastic rod 120mm	S:Shield sensor (low temp.)	N:10K NTC sensor applied	-39.9~65.0°C
CNT-HASSN	A:Analog Type	S : Low temperature Case	S:Shield sensor (low temp.)	N:10K NTC sensor applied	-39.9~65.0°C

Humidity Range : 0.0~100.0%Rh

Application model : CNT-PM3100

※ Please check your temperature and wire length previously when you order.

Size / Dimension



Simple tips and kinds of fault diagnosis / Character display

1. If the chip is reset due to shock, noise and sparks it appears while residual noise, it can be back to normal, but if receiving the message of ER1 continuously due to damage of the device, A/S is required.

2. If the sensor circuit is shorted or measured temperature range beyond the limits, or left behind short error for a long time, the sensor will be damaged. Therefore, if message S-E appears, check the sensor (short, etc.,) or not exceeded the temperature range.

3. Disconnection of the sensor's line, bad connection of contact area(terminal, etc). It can be occurred to the broken sensor devices, such as caused by shock. Therefore, if O-E message appears, check the sensor's line(scratched-line, tec), terminal region of the sensor, and damage on the red region. Otherwise, A/S is required.

4.

In this case, it's not fault on the product, the model name can be shown during the first loading when On(depending on model name), as may appear continuously when irregular power up, and the above display will be disappeared if the correct power.

EX.
 FOX-1004 FOX-S1004 FOX-2001 FOX-2003 FOX-2003S

Displayed depending on model name.

A	B	C	D	E	F	G	H	I	J	K	L	M
N	O	P	Q	R	S	T	U	V	W	X	Y	Z

- Digital Temperature Controller
- Digital Humidity Controller
- Multi Panel Controller
- Heat Pump Controller
- Counter & Timer
- Chiller Controller
- Oven Controller
- CO₂ Controller
- PID Controller
- Control Panels
- 485 Converter
- Transmitter
- Rain sensor



CONOTEC
CONOTEC CO., LTD.

56, Ballyonsandan 1-ro, Jangan-eup,
Gijang, Busan, Republic of Korea

TEL. 82-51-819-0425~7

FAX. 82-51-819-4562



DAESUNG ENG www.foxeng.co.kr | E-mail. foxeng@foxeng.co.kr

CONOTEC www.conotec.co.kr | E-mail. conotec@conotec.co.kr