



JSZ3 Time Delay Relay

1. General

JSZ3 Time Delay Relay is applicable for automatic control system, such as machine automatic control, and complete equipment automatic control, etc.

2. Type designation

JS Z 3 □ - □

Adopt A, B, C, D, E, F, G to represent delay range code (applicable for multi-range type)

A: basic type power on delay, multi-range type)

B: multi-function (multi-delay mode, with starting control), multi-range type

C: instantaneously operation type power on delay, multi-range type

F: turn-off power off delay type

H: instantaneously operation type power on delay, single-range type

Y: delta start-delay type power on delay

K: control off-delay

R: repeat circulation-delay type power on delay

-2, 3: power on delay, single-range type

Design sequence No.

Integrative type

Time Delay Relay

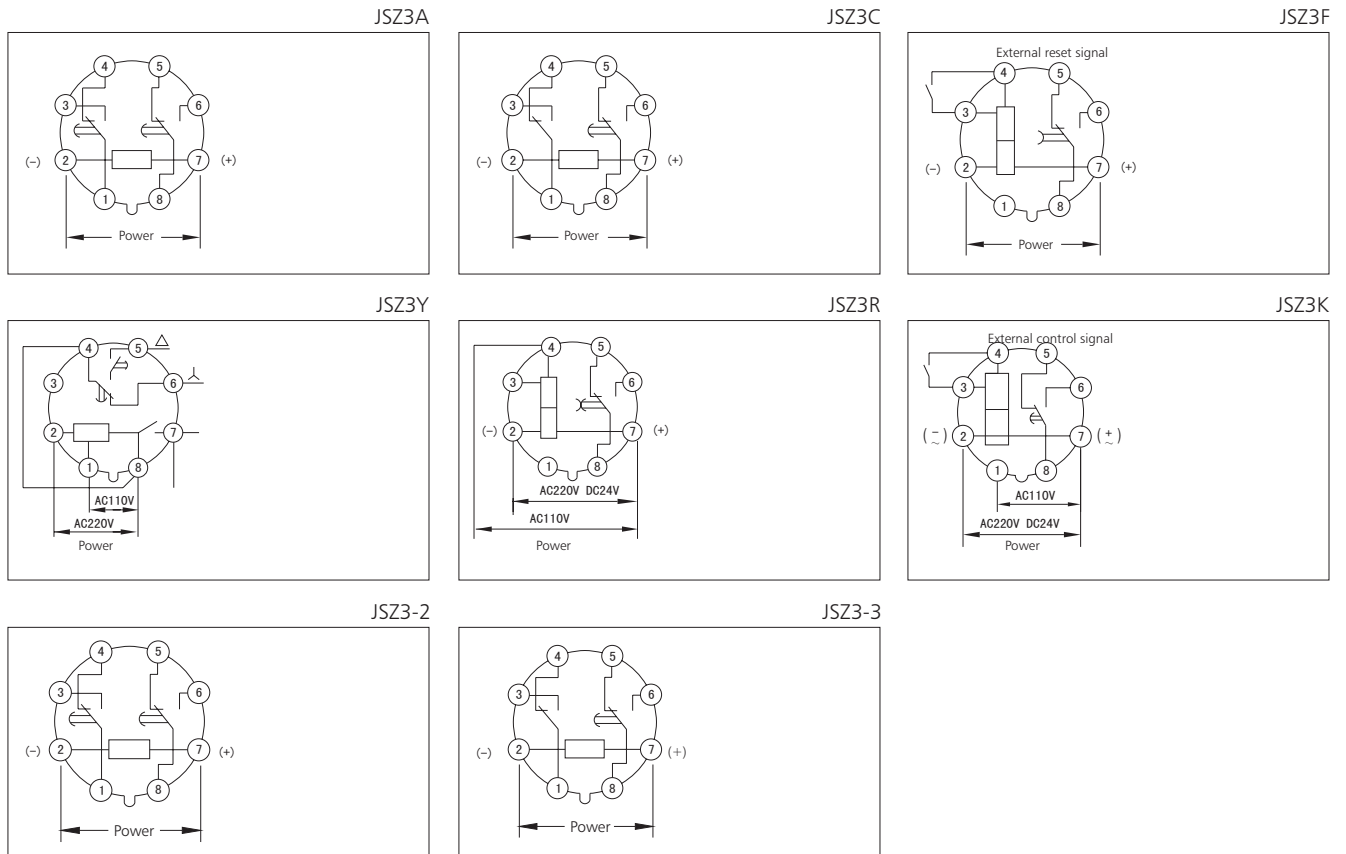
3. Technical data

Type	JSZ3A	JSZ3C	JSZ3F	JSZ3K	JSZ3Y	JSZ3R
Operating mode	power on delay	JSZ3C power on delay with instantaneously operation contact	power off delay	Signal breaking-delay	Delta start-delay	Reciprocating circulation-delay
Delay range	A: 0.05-0.5s/5s/30s/3min		0.1-1s	0.1-1s		
	B: 0.1-1s/10s/60s/6min		0.5-5s	0.5-5s	0.1-1s	0.5-6s/60s
	C: 0.5-5s/50s/5min/30min		1-10s	1-10s	0.5-5s	1-10s/10min
	D: 1-10s/100s/10min/60min		2.5-30s	2.5-30s	1-10s	2.5-30s/30min
	E: 5-60s/10min/60min/6h		5-60s	5-60s	2.5-30s	5-60s/60min
	F: 0.25-2min/2min/2h/12h		10-180s	10-180s	5-60s	
	G: 0.5-4min/40min/4h/24h					
Set mode	Potentiometer					
Operating voltage	AC50Hz/60Hz, 36V, 110V, 127V, AC220V AC230V AC380V AC400V DC24V		AC50Hz/60Hz, 36V, 110V, 127V AC220V AC230V AC380V AC400V DC24V	AC50Hz/60Hz AC110V AC220V AC230V AC380V AC400V DC24V	AC110V/220V 50Hz/60Hz AC220V AC230V AC380V AC400V DC24V	AC110V/220V 50Hz/60Hz AC220V AC230V AC380V AC400V DC24V
Delay precision	≤10%		≤10%	≤10%	≤10%	≤10%
Contact number	Delay 2 switching, delay 1 changeover, instantaneous switching		Delay 1 switching or delay 2 switching	Delay 1 switching	Delay Delta 1 switching	Delay 1 switching
Contact capacity	Ue/Ie: AC-15 220V/0.75A, 380V/0.47A; DC-13 220V/0.27A;Ith:5A					
Electrical Endurance	1 × 10 ⁵					
Mechanical Endurance	1 × 10 ⁶					
Ambient temperature	-5℃ ~ +40℃					
Installation mode	Panel type, Equipment type					
Matched pedestal	Panel type: FM8858, FM8858X, Equipment type, CZS08X, CZS08X-E					

Continued

Type	JSZS-2	JSZ3-3
Operating mode	power on delay	
Delay range	0.1-1s, 0.5-5s, 1-10s 3-30s, 6-60s, 0.3-3min, 0.5-5min, 1-10min, 1.5-15min, 3-30min 0.1-1h	
Set mode	Potentiometer	
Operating voltage	AC50Hz/60Hz 36V, 110V, 127V, 220V, 230V, 380V, 400V DC24V(other voltage could be custom made)	
Delay precision	≤10%	
Contact number	Delay 2 switching	Delay 1 switching, instantaneously operation 1 switching
Contact capacity	Ue/Ie: AC-15 220V/0.75A, 380V/0.47A; DC-13 220V/0.27A;Ith:5A	
Electrical Endurance	1 × 10 ⁵	
Mechanical Endurance	1 × 10 ⁶	
Ambient temperature	-5℃ ~ +40℃	
Installation mode	Panel type, Equipment type, Track type	
Matched pedestal	Panel type: FM8858, FM8858X; Equipment type: CZS08X	

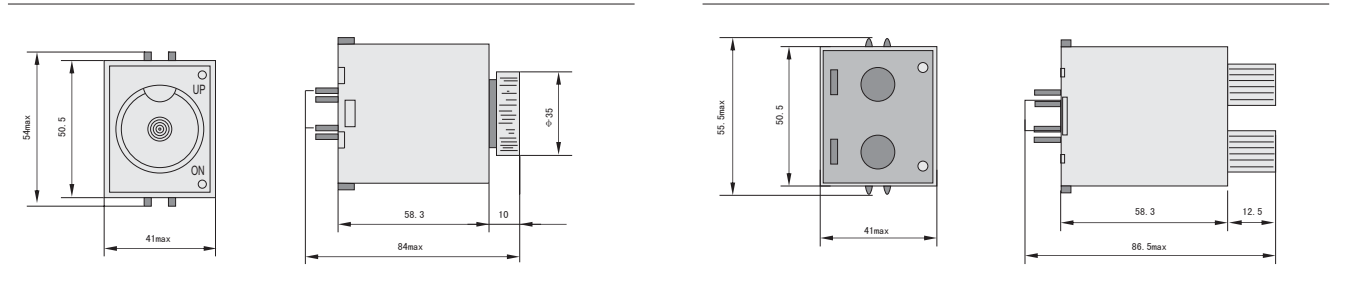
4. Wiring diagram



5. Overall and mounting dimensions (mm)

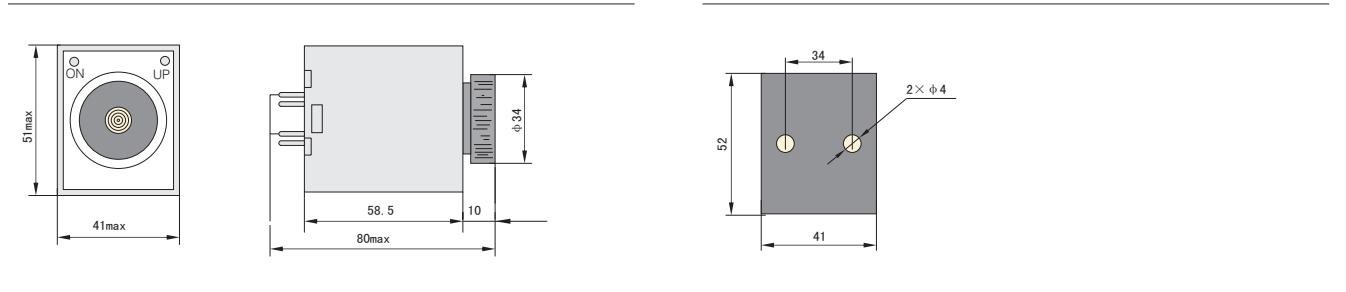
JSZ3A-C, F, K, Y Profile and installation dimension

JSZ3R Profile and installation dimension



JSZ3-2, 3, Profile and installation dimension

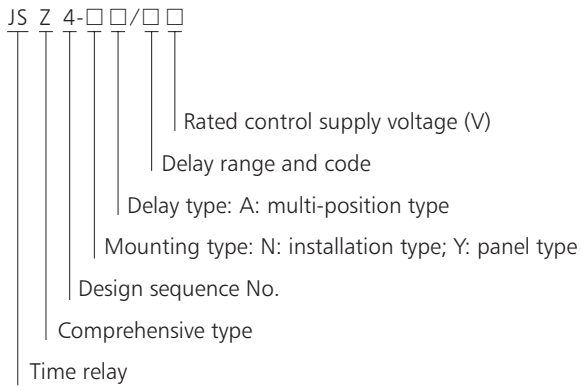
Opening size





JSZ4 Time Relay

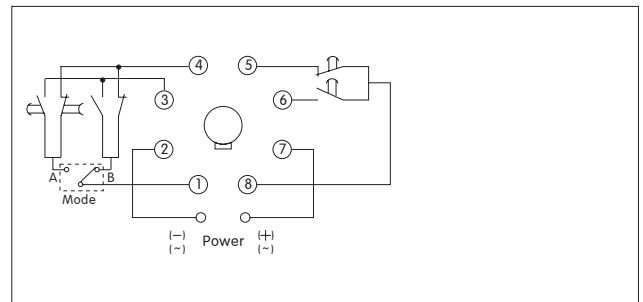
1. Type designation



2. Technical data

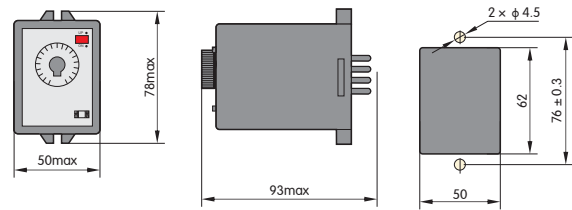
Model	JSZ4-YA	JSZ4-NA
Operating mode	On-delay or on-delay with instantaneous acting	
Number of contacts	Delay 2 change-over or delay 1 change-over, instantaneous 1 change-over (optional by switch)	
Contact capacity	Ue/Ie: AC-15 220V/0.75A, 380V/0.47A; DC-13 220V/0.27A; Ith:5A	
Delay range	A: 1s/10s/1min/10min B: 3s/30s/3min/30min C: 6s/60s/6min/60min D: 1min/10min/1h/10h E: 3min/30min/3h/30h F: 6min/60min/6h/60h	
Operational voltage	AC50Hz 36V, 110V, 220V, 380V DC24V (Other voltages available upon request)	
Electrical life	1 × 10 ⁵	
Mechanical life	1 × 10 ⁶	
Delay accuracy	≤ 10%	
Ambient temperature	-5°C ~ +40°C	
Mounting type	Panel type	Installation type

3. Wiring diagram

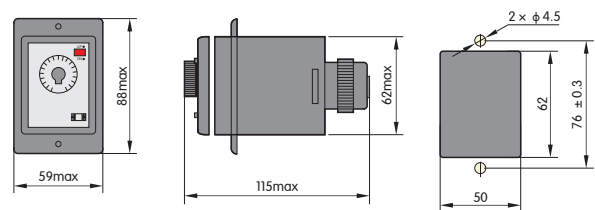


4. Overall and mounting dimensions (mm)

JSZ4-NA



JSZ4-YA





JSZ6 Time Delay Relay

1. General

JSZ6 Time Delay Relay is applicable for automatic control system, such as machine tool automatic control, complete equipment automatic control. Etc.

2. Type designation

JS Z 6 - □

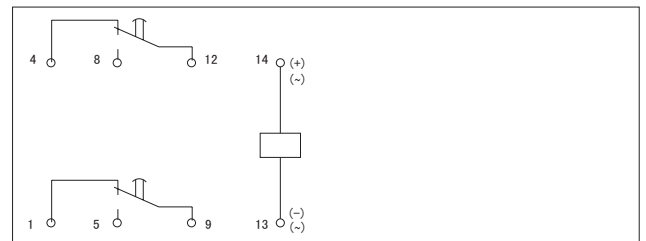
□: 2: Delay 2 changeover; 4: Delay 4 changeover
 | Design sequence No.
 | Integrated type
 | Time delay Relay

3. Technical data

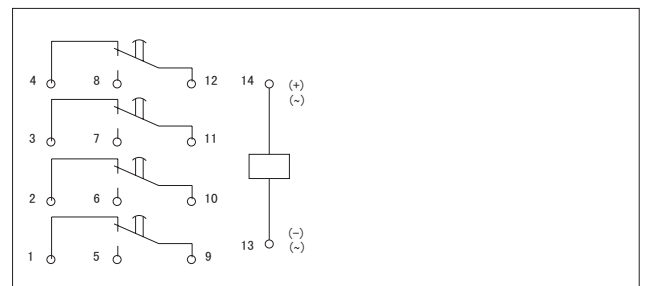
Type	JSZ6-2	JSZ6-4
Operating mode	power on delay	power on delay
Contact number	Delay 2 changeover	Delay 4 changeover
Contact capacity	Ue/Ie: AC-15 220V/0.75A, 380V/0.47A; DC-13 220V/0.27A; Ith:5A	
Delay range	0.1-1s, 5-5s, 1-10s, 2.5-30s, 5-60s, 15-180s, 1-10min, 2.5-30min, 5-60min,	
Operating voltage	AC50Hz/60Hz 36V, 110V, 127V, AC220V, DC24V	
Electrical life	1 × 10 ⁵	
Mechanical life	1 × 10 ⁶	
Set mode	Potentiometer	
Repeat precision	≤ 10%	
Ambient temperature	-5°C ~ +40°C	
Interchangeability	Can interchange with H3Y series for use	

4. Wiring diagram

JSZ6-2

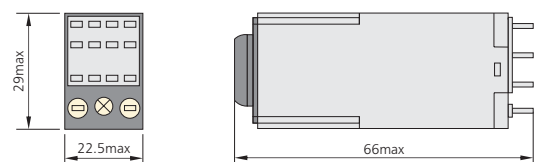


JSZ6-4



5. Overall and mounting dimensions (mm)

JSZ6 Profile and installation dimension



Opening size

