

U-shaped Magnetic Proximity Sensor



MU Series CATALOG

For your safety, read and follow the considerations written in the instruction manual, other manuals and Autonics website.

The specifications, dimensions, etc. are subject to change without notice for product improvement. Some models may be discontinued without notice.

Features

- Non-voltage magnetic detection method
- Two wiring specifications of cable / cable connector type
- IP67 protection structure (IEC standard)

Ordering Information

This is only for reference, the actual product does not support all combinations. For selecting the specified model, follow the Autonics website.

MU - ① - 30 - ②

① Contact type

1A: Normally open
1B: Normally closed

② Cable type

No mark: cable type (2 m)
E: Cable connector type (0.5 m)

Product Components

- Product
- Instruction manual

Specifications

Model	MU-1A-30-□	MU-1B-30-□
Contact	N.O.	N.C.
Operating distance ⁰¹⁾	OFF → ON	± 10 mm
	ON → OFF	± 20 mm
Standard sensing target	Steel plate - a galvanized steel sheet 1.6t	
Operating time	≤ 2 ms	
Release time	≤ 1 ms	
Operating frequency	≤ 500 Hz	
Approval	CE	
Unit weight (package)	Cable type: ≈ 132.5 g (≈ 172.3 g)	
	Cable connector type: ≈ 107 g (≈ 147.2 g)	

01) Rated at the ambient temperature of 23 °C. It can be differed up to ±20 % according to the ambient temperature.

Switching voltage	≤ 24 VDC≐
Life expectancy	≥ 100 million times (at a resistive load of 5 VDC≐m 10 mA)
Insulated resistance	≥ 1,000 MΩ (500 VDC≐ megger)
Dielectric strength	500 VAC~ 50/60 Hz for 1 minute (between all terminals and case)
Vibration	1.5 mm double amplitude at frequency of 10 to 55 Hz (for 1 minute) in each X, Y, Z direction for 2 hours
Shock	100 m/s ² (≈ 10 G) in each X, Y, Z direction for 3 times
Ambient temperature	-10 to 65 °C, storage: -10 to 70 °C (no freezing or condensation)
Ambient humidity	35 to 85 %RH, storage: 35 to 85 %RH (no freezing or condensation)
Protection structure	IP67 (IEC standard)
Connection	Cable type / Cable connector type
Cable	Cable type: Ø 4, 2-wire, 2 m (UL Style 20276, AWG22)
	Cable connector type: Ø 4, 2-wire, 0.5 m (UL Style 20276, AWG22)
Material	Cover/Case: PC (915R)

Applied REED SWITCH

Model	ORD324-10-15 (STANDEX MEDER)
Contact	A (SPST-NO: single pole, single throw, normally open)
Contact rating ⁰¹⁾	≤ 10 W/VA
Voltage	Switching: ≤ 200 VDC≐, Breakdown: ≥ 250 VDC≐
Current	Switching: ≤ 0.5 A, Carry: ≤ 1.0 A
Ambient temperature	-40 to 125 °C, storage: -65 to 125 °C ⁰²⁾
Material	Body: glass, leads: tin-plated Ni-Fe wire

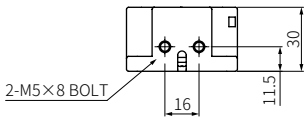
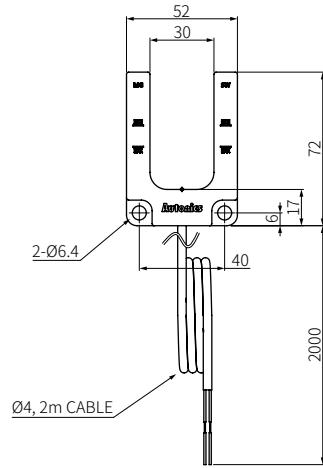
01) Switching voltage and current should never exceed the wattage rating.

02) Long time exposure at elevated temperature may degrade solderability of the leads.

Dimensions

• Unit: mm, For the detailed dimensions of the product, follow the Autonics web site.

■ MU-□-30



■ MU-□-30-E

