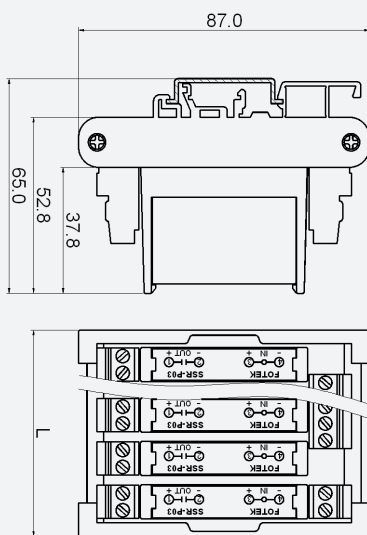


Model

Model	Description	Model	Description
SSR-P03N-2P	2 units / NPN input	SSR-P03P-2P	2 units / PNP input
SSR-P03N-4P	4 units / NPN input	SSR-P03P-4P	4 units / PNP input
SSR-P03N-8P	8 units / NPN input	SSR-P03P-8P	8 units / PNP input

Outline dimension / 外形尺寸



Type	L
SSR-P03-1P	20.0
SSR-P03-2P	33.6
SSR-P03-4P	59.6
SSR-P03-8P	111.6

Connection / 接線圖

