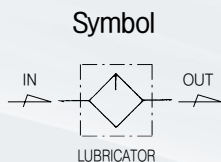


PL2 Series Lubricator 1/8" and 1/4"

Lubricator

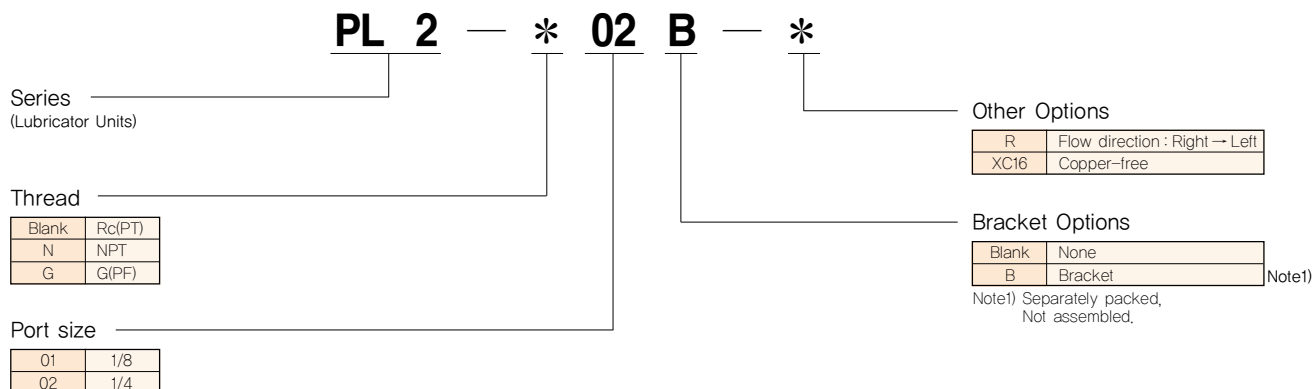


Standard Specifications

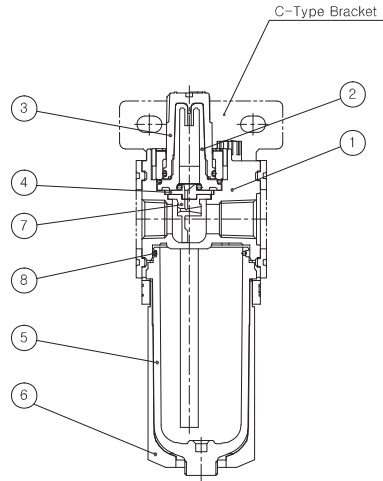
Fluid	Air	
Max. operating pressure (MPa)	1.0(140psi)	
Proof pressure (MPa)	1.5(200psi)	
Min operating flow (Nℓ/min)	15(0.5scfm) (1/4")	
Bowl capacity (cm ³)	18(0.61oz)	
Ambient and fluid temperature (°C)	-5~60(23~140°F) (Non-freezing)	
Flow capacity (Nℓ/min) ※	1/8"	900(32scfm)
	1/4"	1,600(57scfm)
Bowl material	Polycarbonate	
Bowl guard material	Nylon	
Recommended oil	ISO VG32 (Turbine oil 1 class)	
Weight (kg)	0.14(0.31lb)	

※ Test conditions : Supply pressure 0.6 MPa(90psi), Number of drop=0.05 MPa(7psi)

How to order



Construction



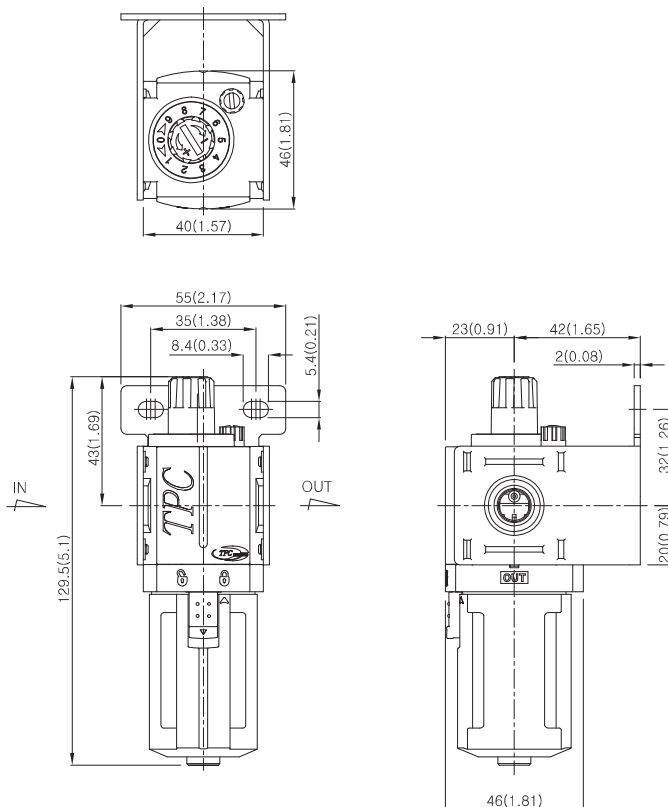
Main Parts / Parts List

No.	Description	Material	Remarks
①	Body	Aluminum	
②	Inner sight dome	Nylon (clear)	
③	Outer sight dome	Nylon (clear)	
④	Damper plate	Acetal	
⑤	Bowl	Polycarbonate	
⑥	Bowl guard	Nylon	

Replacement Parts / Parts List

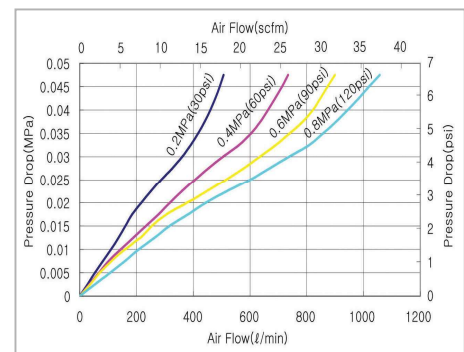
No.	Description	Material	Part No.
⑦	Damper	NBR	PL2-34-001-01
⑧	Bowl O-ring	NBR	DX2R-53-3000

Dimensions

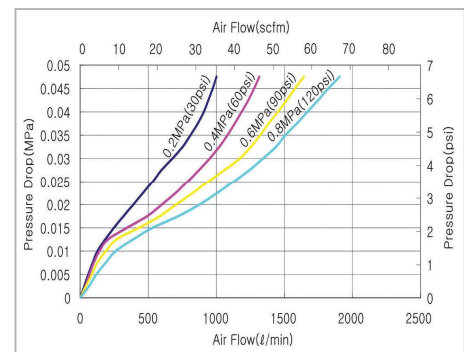


Flow Characteristics

► 1/8" PL2

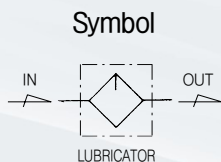


► 1/4" PL2



PL3 Series Lubricator 1/4" and 3/8"

Lubricator

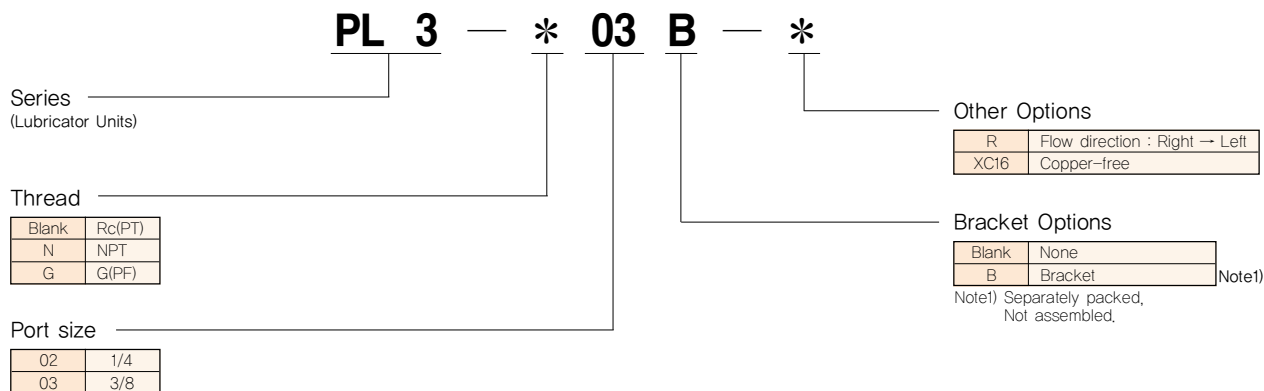


Standard Specifications

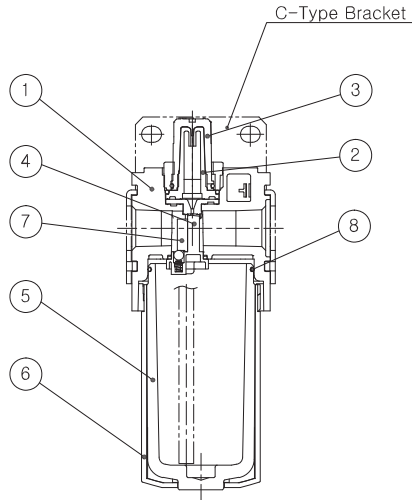
Fluid	Air	
Max. operating pressure (MPa)	1.0(140psi)	
Proof pressure (MPa)	1.5(200psi)	
Min operating flow (Nℓ/min)	40(1.4scfm) (3/8")	
Bowl capacity (cm ³)	56(1.89oz)	
Ambient and fluid temperature (°C)	-5~60(23~140°F) (Non-freezing)	
Flow capacity (Nℓ/min) ※	1/4"	2,100(74scfm)
	3/8"	3,100(109scfm)
Bowl material	Polycarbonate	
Bowl guard material	Nylon	
Recommended oil	ISO VG32 (Turbine oil 1 class)	
Weight (kg)	0.26(0.57lb)	

※ Test conditions : Supply pressure 0.6 MPa(90psi), Pressure drop 0.05 MPa(7psi)

How to order



Construction



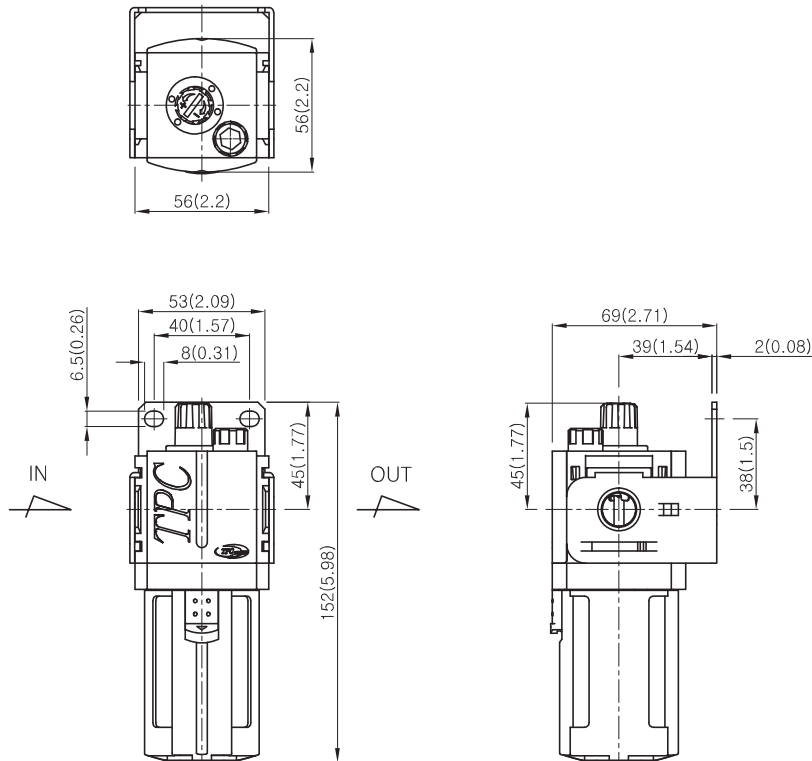
Main Parts / Parts List

No.	Description	Material	Remarks
①	Body	Aluminum	
②	Inner sight dome	Nylon(transparent)	
③	Outer sight dome	Nylon(transparent)	
④	Damper plate	Acetal	
⑤	Bowl	Polycarbonate	
⑥	Bowl guard	Nylon	

Replacement Parts / Parts List

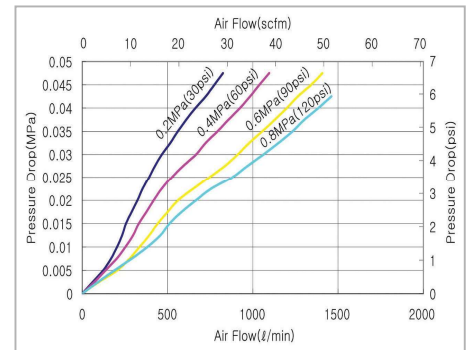
No.	Description	Material	Part No.
⑦	Damper	NBR	PL3-34-001-01
⑧	Bowl O-ring	NBR	PL3-04-001-01

Dimensions

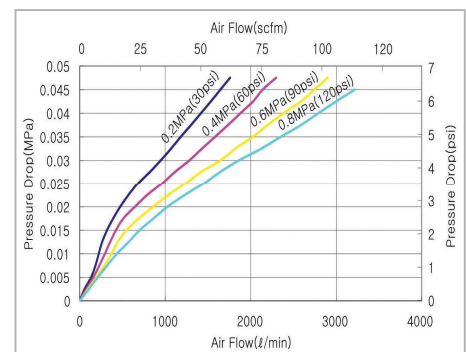


Flow Characteristics

► 1/4" PL3

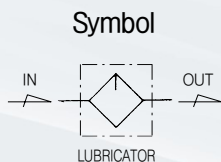


► 3/8" PL3



PL4 Series Lubricator 3/8" and 1/2"

Lubricator

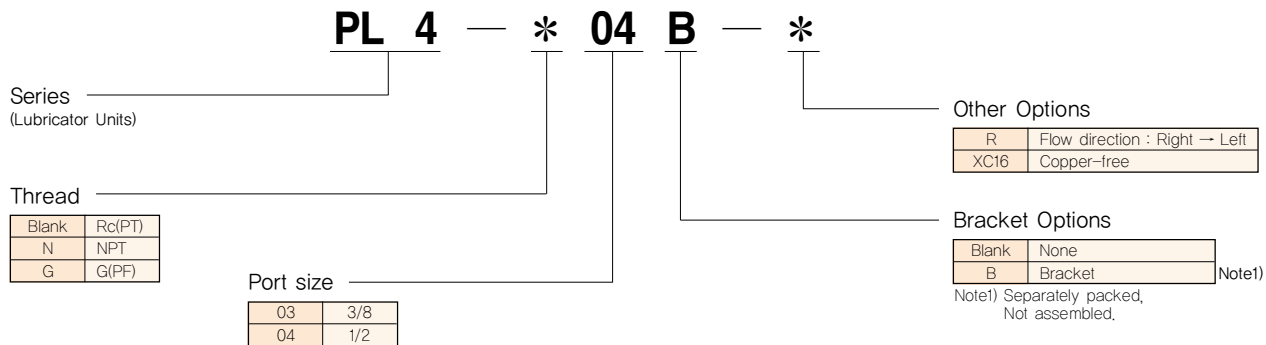


Standard Specifications

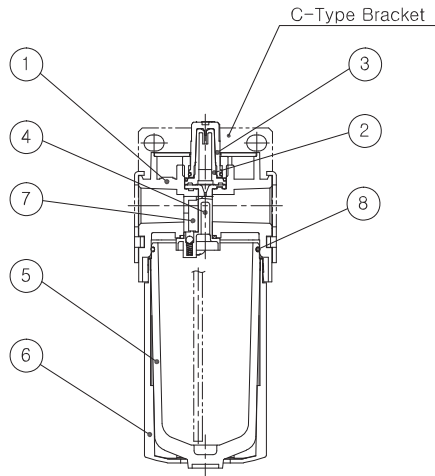
Fluid	Air	
Max. operating pressure (MPa)	1.0(140psi)	
Proof pressure (MPa)	1.5(200psi)	
Min operating flow (Nℓ/min)	50(1.8scfm) (1/2")	
Bowl capacity (cm ³)	127(4.29oz)	
Ambient and fluid temperature (°C)	-5~60(23~140°F) (Non-freezing)	
Flow capacity (Nℓ/min) ※	3/8"	2,400(85scfm)
	1/2"	4,500(159scfm)
Bowl material	Polycarbonate	
Bowl guard material	Nylon	
Recommended oil	ISO VG32 (Turbine oil 1 class)	
Weight (kg)	0.54(1.19lb)	

※ Test conditions : Supply pressure 0.6 MPa(90psi), Pressure drop 0.05 MPa(7psi)

How to order



Construction



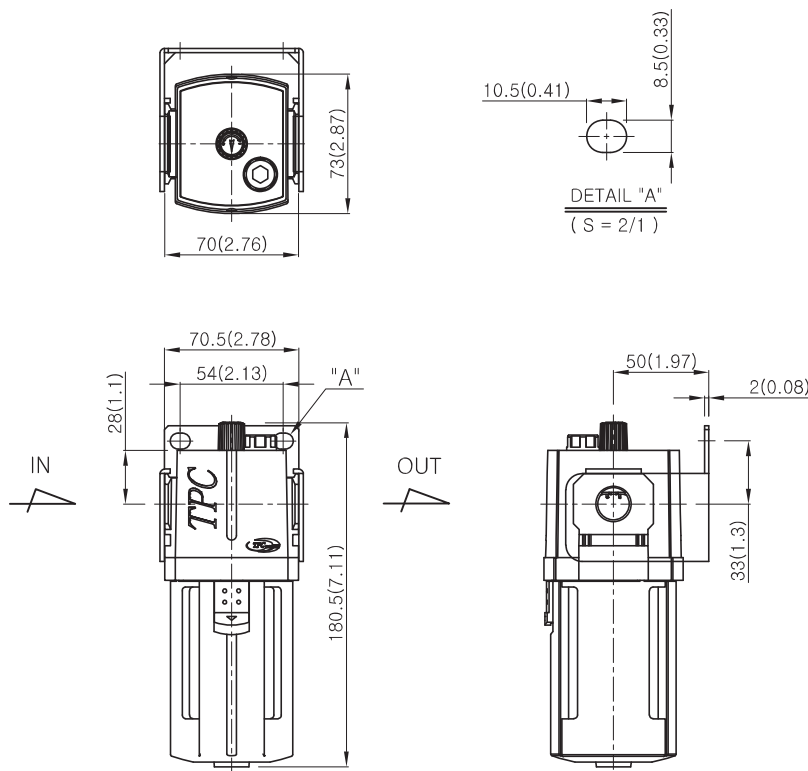
Main Parts / Parts List

No.	Description	Material	Remarks
①	Body	Aluminum	
②	Inner sight dome	Nylon (transparent)	
③	Outer sight dome	Nylon (transparent)	
④	Damper plate	Acetal	
⑤	Bowl	Polycarbonate	
⑥	Bowl guard	Nylon	

Replacement Parts / Parts List

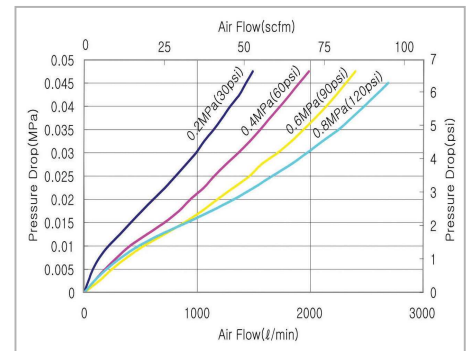
No.	Description	Material	Part No.
⑦	Damper	NBR	PL4000-14-6100-01
⑧	Bowl O-ring	NBR	TAF4000-08-6000

Dimensions

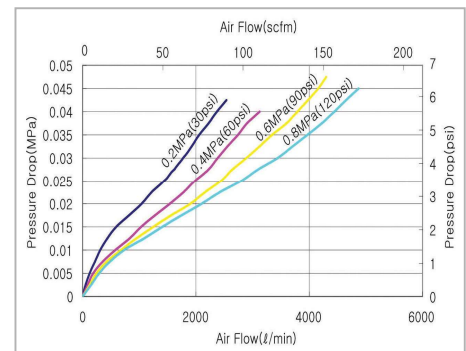


Flow Characteristics

▶ 3/8" PL4



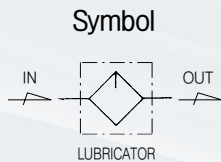
▶ 1/2" PL4



Lubricator

PL5 Series Lubricator 3/4" and 1"

Lubricator

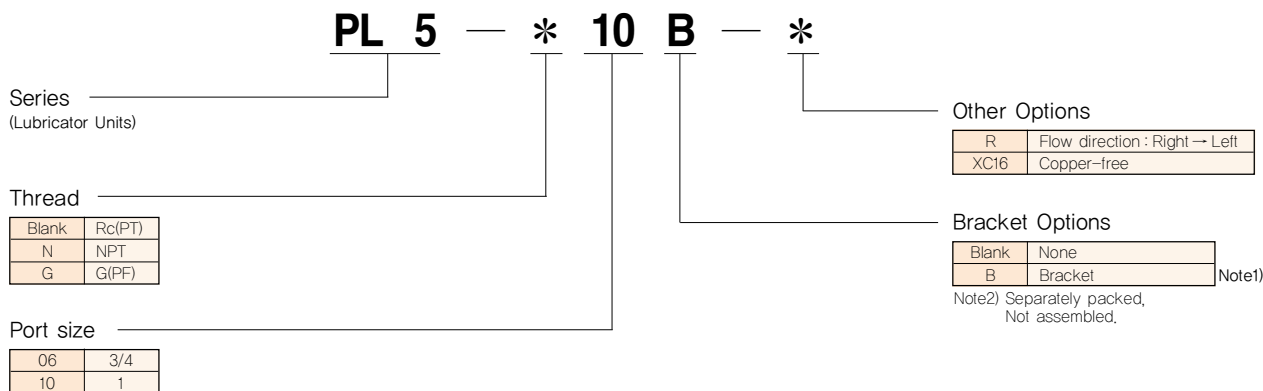


Standard Specifications

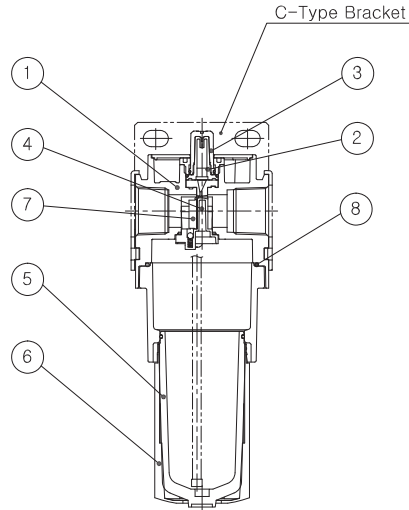
Fluid	Air	
Max. operating pressure (MPa)	1.0(140psi)	
Proof pressure (MPa)	1.5(200psi)	
Min operating flow (Nℓ/min)	150(5.3scfm) (1")	
Bowl capacity (cm ³)	109(3.69oz)	
Ambient and fluid temperature (°C)	-5~60(23~140°F) (Non-freezing)	
Flow rate ※ (Nℓ/min)	3/4"	9,400(332scfm)
	1"	9,900(350scfm)
Bowl material	Polycarbonate	
Bowl guard material	Nylon	
Recommended oil	ISO VG32 (Turbine oil 1 class)	
Weight (kg)	1.08(2.38lb)	

※ Test conditions : Supply pressure 0.6 MPa(90psi), Pressure drop 0.05 MPa(7psi)

How to order



Construction



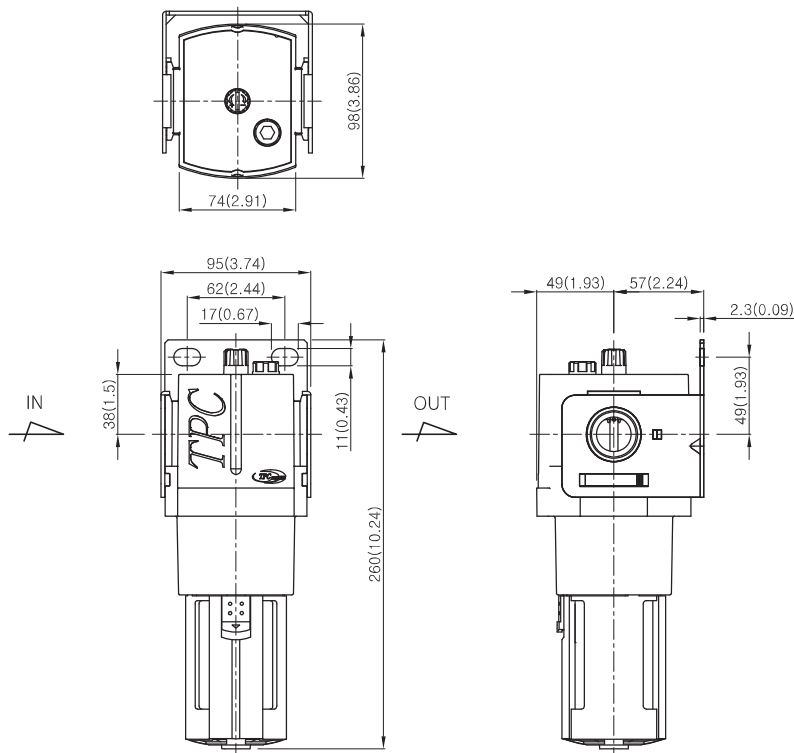
Main Parts / Parts List

No.	Description	Material	Remarks
①	Body	Aluminum	
②	Inner sight dome	Nylon(transparent)	
③	Outer sight dome	Nylon(transparent)	
④	Damper plate	Acetal	
⑤	Bowl	Polycarbonate	
⑥	Bowl guard	Nylon	

Replacement Parts / Parts List

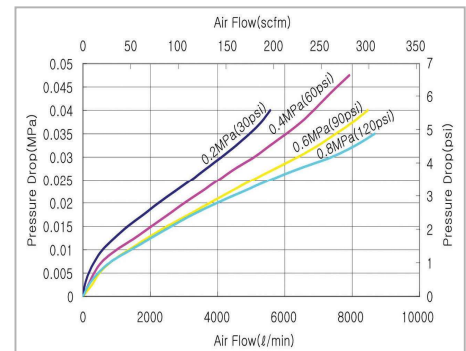
No.	Description	Material	Part No.
⑦	Damper	NBR	PL5-34-001-01
⑧	Bowl O-ring	NBR	TAF4000-08-6000

Dimensions

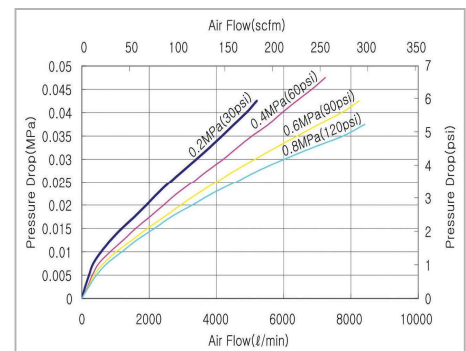


Flow Characteristics

▶ 3/4" PL5



▶ 1" PL5



Lubricator