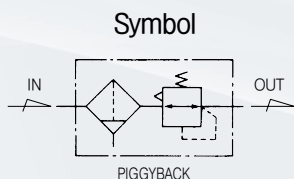


PP2 Series Piggyback Filter/Regulator 1/8" and 1/4"

Piggyback Filter/Regulator



Standard Specifications

Fluid	Air	
Max. operating pressure (MPa)	1.0(140psi)	
Proof pressure (MPa)	1.5(200psi)	
Set pressure range (MPa)	Standard	0.05 ~ 1.0(7~140psi)
	Made to order specifications	0.05~0.2(7~30psi), 0.05~0.4(7~60psi)
Ambient and fluid temperature (°C)	-5~60(23~140° Fpsi) (Non-freezing)	
Flow capacity ※ (Nℓ /min)	1/8 "	1,200(42scfm)
	1/4 "	1,300(46scfm)
Filtration (μm)	Standard : 5	
Construction	Relieving style	
Bowl material	Polycarbonate	
Bowl guard material	Nylon	
Drain capacity (cm ³)	Manual drain : 15(0.51oz)	
	Auto drain : 20(0.68oz)	
Weight (kg)	0.23(0.5lb)	

※ Test conditions : Supply pressure 0.7Mpa(100psi), Set pressure 0.6Mpa(90psi)

How to order

PP 2 — * 02 B D G — *

Series
(Piggyback Unit)

Thread

Blank	Rc(PT)
N	NPT
G	G(PF)

Port size

01	1/8
02	1/4

Bracket Options

Blank	None
B	Bracket + Panel nut
B1	Panel nut

Note2) Separately packed, Not assembled.

Other Options

Blank	Set at 0 to 1.0 MPa(140psi)	5μm (Standard)	
2	Set at 0 to 0.2 MPa(30psi)	K	Built-in Check Valve
4	Set at 0 to 0.4 MPa(60psi)	R	Flow direction : Right → Left
E	Non-relieving type	T	Tamper Resistant Kit
J2	Filter element - 20μm	XC16	Copper-free
J4	Filter element - 40μm		

Note1) Refer to page 85 for Built-in Check valve, Tamper resistant kit.
*If ordering more than one option, indicate symbols numerically then alphabetically Ex) 2EK

*Over Max. pressure value can be set.

Pressure Gauge

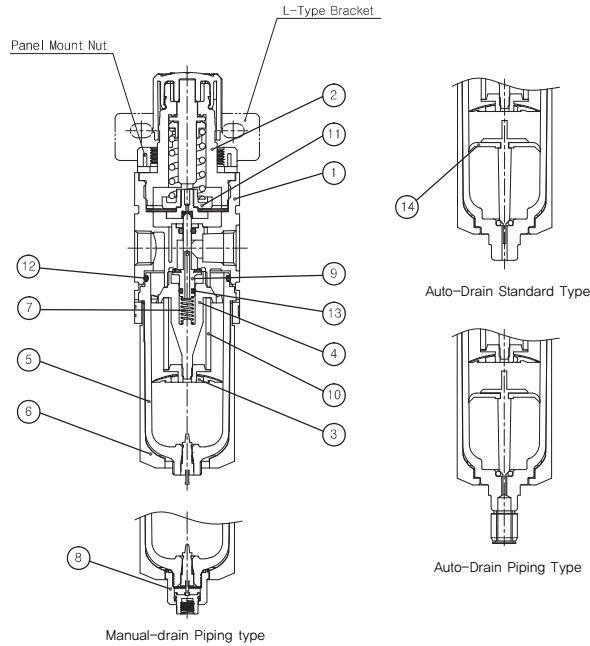
Symbol	Description	Pressure range
Blank	No-gauge	
G	Integral pressure gauge (W/Limit Indicator)	1.0MPa(140psi)
P	Pressure gauge	1.0MPa(140psi)
P2	Pressure gauge	0.2MPa(30psi)
P4	Pressure gauge	0.4MPa(60psi)

Drain Options

Blank	Manual Push Drain
D	Auto Drain (N.O Type)
D2	Auto Drain (Piping exhaust)
D5	Manual Drain (Piping exhaust)

Note3) Min. operating pressure is 0.15MPa (20psi) for Auto Drain (N.O Type)

Construction



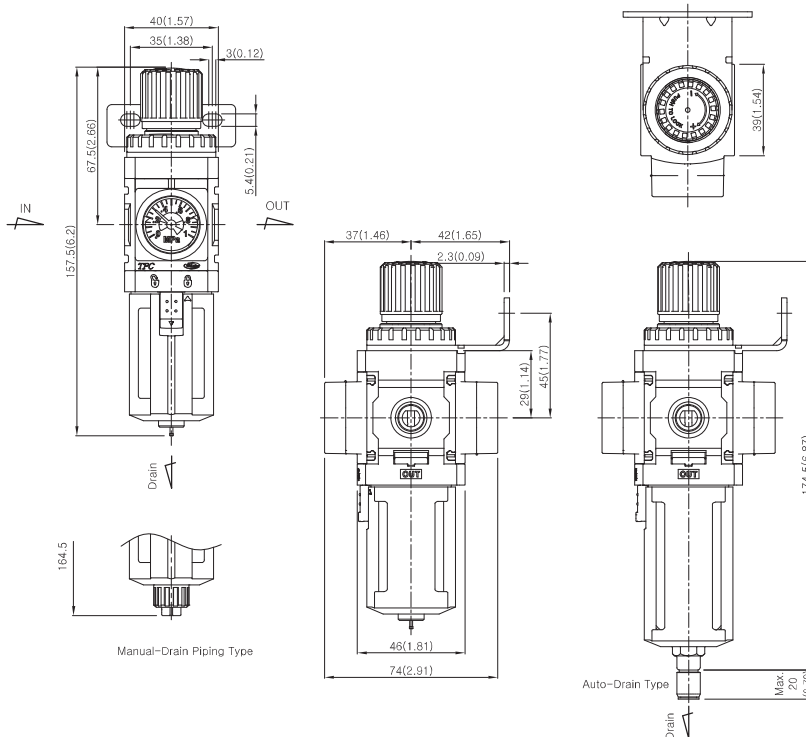
Main Parts / Parts List

No.	Description	Material	Remarks
①	Body	Aluminum	
②	Bonnet	Nylon	
③	Baffle	Acetal	
④	Deflector	Nylon	
⑤	Bowl	Polycarbonate	
⑥	Bowl guard	Nylon	
⑦	Valve Spring	Stainless steel	
⑧	Manual-drain pipe Ass'y		

Replacement Parts / Parts List

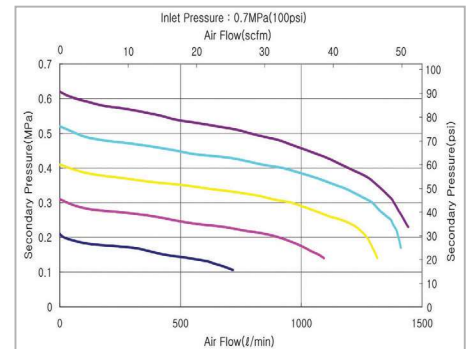
No.	Description	Material	Part No.
⑨	Valve ass'y	Brass+NBR	PP2-08-001-01
⑩	Filter element	Polyethylene	PF2-24-005-01
⑪	Diaphragm ass'y	Nylon+NBR	PR2-11A001-01
⑫	Bowl O-ring	NBR	DX2R-53-3000
⑬	Valve O-ring	NBR	S4-01
⑭	Auto-drain ass'y	-	PF2-26A002-01

Dimensions

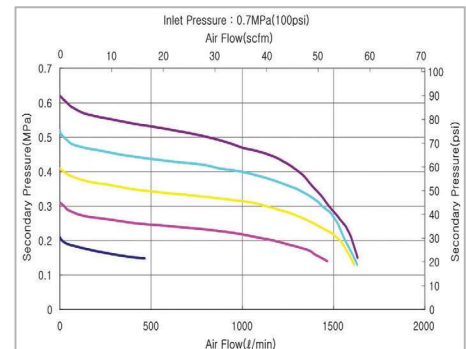


Flow Characteristics

▶ 1/8" PP2



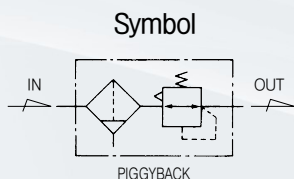
▶ 1/4" PP2



PP3 Series

Piggyback Filter/Regulator 1/4" and 3/8"

Piggyback Filter/Regulator

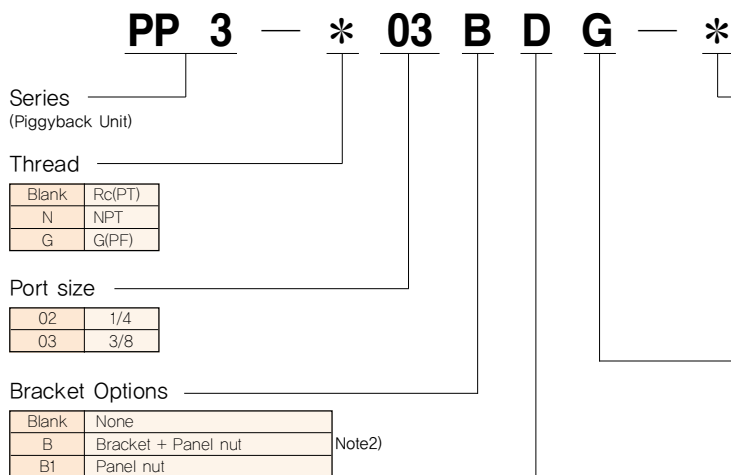


Standard Specifications

Fluid	Air	
Max. operating pressure (MPa)	1.0(140psi)	
Proof pressure (MPa)	1.5(200psi)	
Set pressure range (MPa)	Standard	0.05 ~ 1.0(7~140psi)
	Made to order specifications	0.05 ~ 0.2(7~30psi)
		0.05 ~ 0.4(7~60psi) 0.05 ~ 1.2(7~170psi)
Ambient and fluid temperature (°C)	-5 ~ 60(23~140°F) (Non-freezing)	
Flow capacity ※ (Nℓ/min)	1/4"	2,100(74scfm)
	3/8"	2,600(92scfm)
Filtration (μm)	5	
Construction	Relieving style	
Bowl material	Polycarbonate	
Bowl guard material	Nylon	
Drain capacity (cm ³)	Manual drain:38(1.28oz), Auto drain:30(1.01oz)	
Weight (kg)	0.49(1.08lb)	

※ Test conditions : Supply pressure 0.7Mpa(100psi), Set pressure 0.6Mpa(90psi)

How to order



Other Options

Blank	Set at 0 to 1.0 MPa(140psi), 5μm (Standard)		
2	Set at 0 to 0.2 MPa(30psi)	J4	Filter element - 40μm
4	Set at 0 to 0.4 MPa(60psi)	K	Built-in Check Valve
12	Set at 0 to 1.2 MPa(170psi)	R	Flow direction : Right → Left
E	Non-relieving type	T	Tamper Resistant Kit
J2	Filter element - 20μm	XC16	Copper-free

Note1)

Note1,2)

Note1) Refer to page 85 for Built-in Check valve, Tamper resistant kit, *If ordering more than one option, indicate symbols numerically then alphabetically Ex) 2EK
*Over Max. pressure value can be set.

Pressure Gauge

Symbol	Description	Pressure range
Blank	None	
G	Integral pressure gauge (W/Limit Indicator)	1.0MPa(140psi)
P	Pressure gauge	1.0MPa(140psi)
P2	Pressure gauge	0.2MPa(30psi)
P4	Pressure gauge	0.4MPa(60psi)

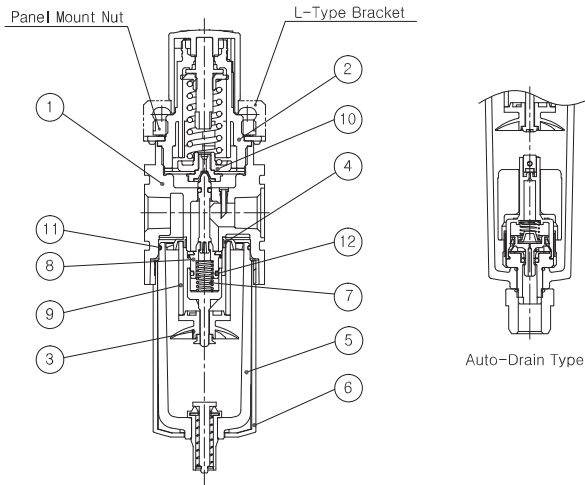
Drain Options

Blank	Manual Push Drain
D	Auto Drain (N.O Type)

Note3)

Note3) Min. operating pressure is 0.15MPa(20psi) for Auto Drain (N.O Type)

Construction



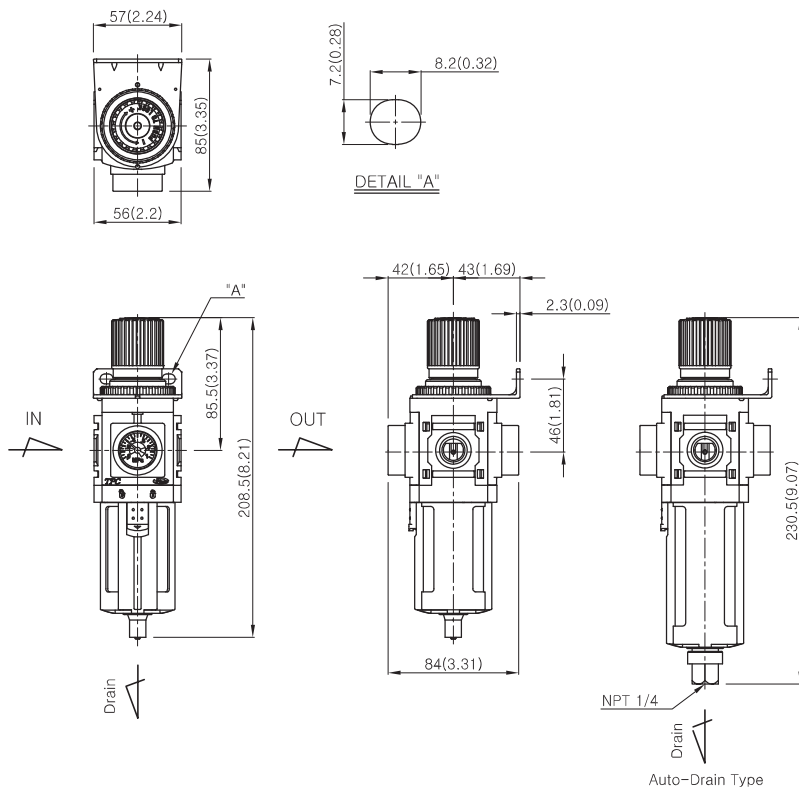
Main Parts / Parts List

No.	Description	Material	Remarks
①	Body	Aluminum	
②	Bonnet	Nylon	
③	Baffle	Acetal	
④	Deflector	Nylon	
⑤	Bowl	Polycarbonate	
⑥	Bowl guard	Nylon	
⑦	Valve Spring	Stainless steel	

Replacement Parts / Parts List

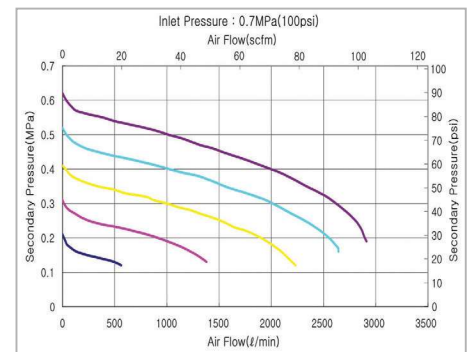
No.	Description	Material	Part No.
⑧	Valve ass'y	Nylon+NBR	PP3-08A001-01
⑨	Filter element	Polyethylene	PF3-24-005-01
⑩	Diaphragm ass'y	Nylon+NBR	PR3-11A001-01
⑪	Bowl O-ring	NBR	PL3-04-001
⑫	Valve O-ring	NBR	P10-01

Dimensions

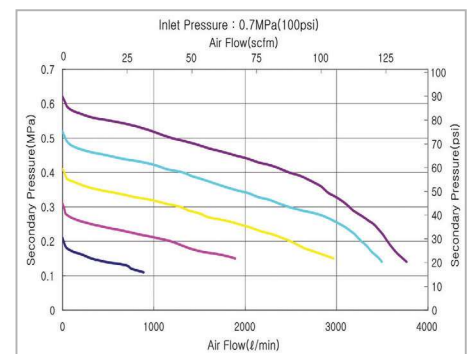


Flow Characteristics

▶ 1/4" PP3



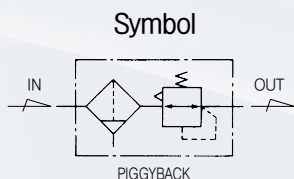
▶ 3/8" PP3



PP4 Series

Piggyback Filter/Regulator 3/8" and 1/2"

Piggyback Filter/Regulator

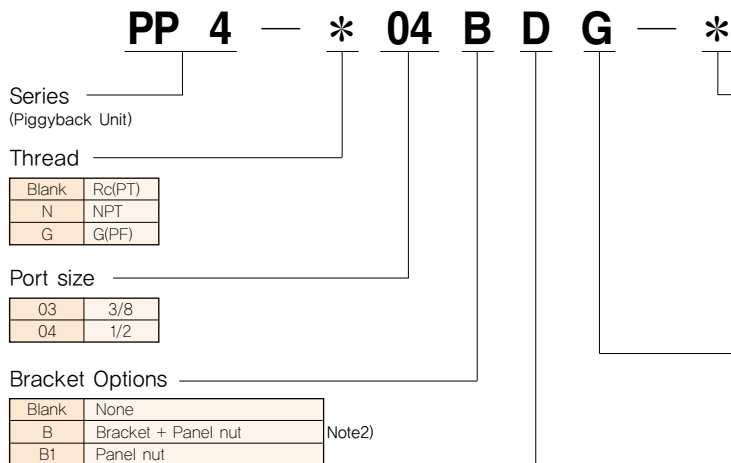


Standard Specifications

Fluid	Air	
Max. operating pressure (MPa)	1.0(140psi)	
Proof pressure (MPa)	1.5(200psi)	
Set pressure range (MPa)	Standard	0.05 ~ 1.0(7~140psi)
	Made to order specifications	0.05 ~ 0.2(7~30psi) 0.05 ~ 0.4(7~60psi) 0.05 ~ 1.5(7~200psi)
Ambient and fluid temperature (°C)	-5 ~ 60(23~140°F) (Non-freezing)	
Flow capacity ※ (Nℓ/min)	3/8"	3,800(134scfm)
	1/2"	4,700(166scfm)
Filtration (μm)	5	
Construction	Relieving style	
Bowl material	Polycarbonate	
Bowl guard material	Nylon	
Drain capacity (cm ³)	Manual drain:56(1.89oz), Auto drain:68(2.3oz)	
Weight (kg)	0.74(1.63lb)	

※ Test conditions : Supply pressure 0.7Mpa(100psi), Set pressure 0.6Mpa(90psi)

How to order



Other Options

Blank	Set at 0 to 1.0 MPa(140psi), 5μm (Standard)	J4	Filter element - 40μm
2	Set at 0 to 0.2 MPa(30psi)	K	Built-in Check Valve
4	Set at 0 to 0.4 MPa(60psi)	R	Flow direction : Right → Left
15	Set at 0 to 1.5 MPa(200psi)	T	Tamper Resistant Kit
E	Non-relieving type	XC16	Copper-free
J2	Filter element - 20μm		

Note1)

Note1,2)

Note1) Refer to page 85 for Built-in Check valve, Tamper resistant kit.
*If ordering more than one option, indicate symbols numerically then alphabetically Ex) 2EK
*Over Max. pressure value can be set.

Pressure Gauge

Symbol	Description	Pressure range
Blank	None	
G	Integral pressure gauge (W/Limit Indicator)	1.0MPa(140psi)
P	Pressure gauge	1.0MPa(140psi)
P2	Pressure gauge	0.2MPa(30psi)
P4	Pressure gauge	0.4MPa(60psi)

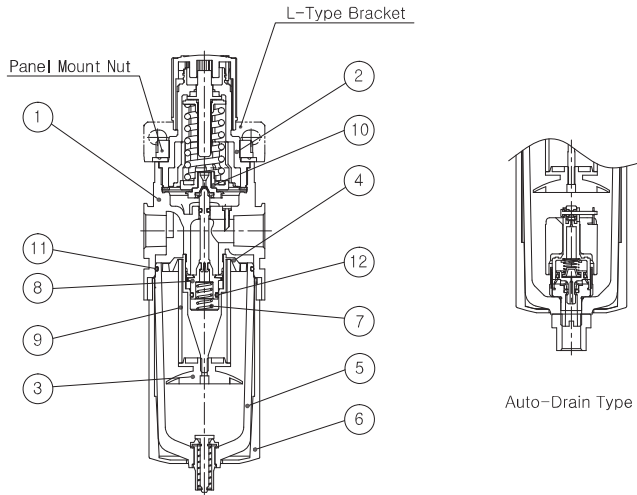
Drain Options

Blank	Manual Push Drain
D	Auto Drain (N.O Type)

Note3)

Note1) Min. operating pressure is 0.15MPa (20psi) for Auto Drain (N.O Type)

Construction



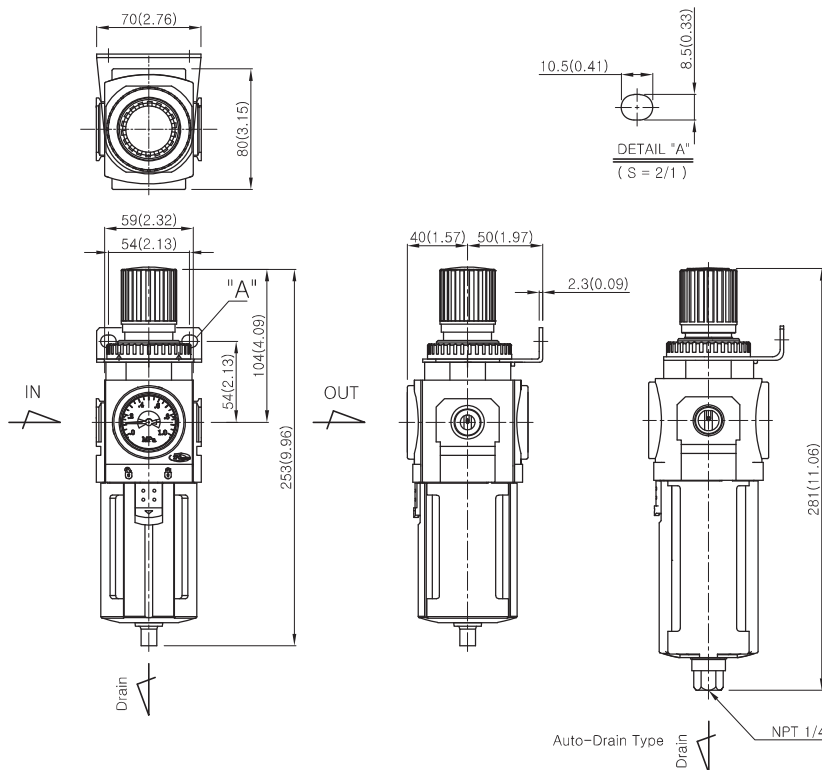
Main Parts / Parts List

No.	Description	Material	Remarks
①	Body	Aluminum	
②	Bonnet	Nylon	
③	Baffle	Acetal	
④	Deflector	Acetal	
⑤	Bowl	Polycarbonate	
⑥	Bowl guard	Nylon	
⑦	Valve Spring	Stainless steel	

Replacement Parts / Parts List

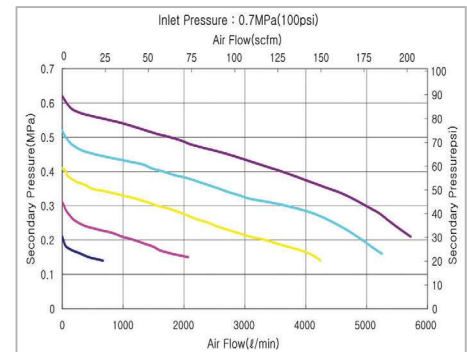
No.	Description	Material	Part No.
⑧	Valve ass'y	Nylon+NBR	PP4-08A001-01
⑨	Filter element	Polyethylene	PF4-24-005-01
⑩	Diaphragm ass'y	Nylon+NBR	PR4-11A001-01
⑪	Bowl O-ring	NBR	TAF4000-08-6000
⑫	Valve O-ring	NBR	PR3-04-001-01

Dimensions

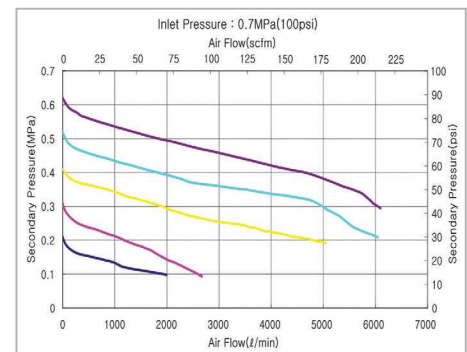


Flow Characteristics

▶ 3/8" PP4

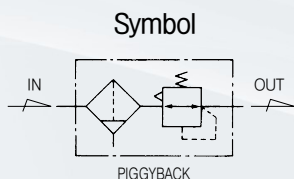


▶ 1/2" PP4



PP5 Series Piggyback Filter/Regulator 3/4" and 1"

Piggyback Filter/Regulator



Standard Specifications

Fluid	Air	
Max.operating pressure (MPa)	1.0(140psi)	
Proof pressure (MPa)	1.5(200psi)	
Set pressure range (MPa)	Standard	0.05 ~ 1.0(7~140psi)
	Made to order specifications	0.05 ~ 0.2(7~30psi) 0.04 ~ 0.4(7~60psi) 0.05 ~ 1.5(7~200psi)
Ambient and fluid temperature (°C)	-5 ~ 60(23~140°F) (Non-freezing)	
Flow capacity ※ (Nℓ/min)	3/4"	9,400(332scfm)
	1"	9,900(350scfm)
Filtration (μm)	5	
Construction	Relieving style	
Bowl material	Polycarbonate	
Bowl guard material	Nylon	
Drain capacity (cm ³)	Manual drain:156(5.27oz), Auto drain:174(5.88oz)	
Weight (kg)	2.39(5.27lb)	

※ Test conditions : Supply pressure 0.7 MPa(100psi), Set pressure 0.6 MPa(90psi)

How to order

PP 5 — ***** **10** **B** **D** **G** — *****

Series (Piggyback Unit)

Thread

Blank	Rc(PT)
N	NPT
G	G(PF)

Port size

06	3/4
10	1

Bracket Options

Blank	None
B	Bracket + Panel nut
B1	Panel nut

Note2) Separately packed, Not assembled.

Other Options

Blank	Set at 0 to 1.0 MPa(140psi), 5μm (Standard)		
2	Set at 0 to 0.2 MPa(30psi)	J4	Filter element - 40μm
4	Set at 0 to 0.4 MPa(60psi)	K	Built-in Check Valve
15	Set at 0 to 1.5 MPa(200psi)	R	Flow direction : Right → Left
E	Non-relieving type	T	Tamper Resistant Kit
J2	Filter element - 20μm	XC16	Copper-free

Note1)

Note1,2)

Note1) Refer to page 85 for Built-in Check valve, Tamper resistant kit, *If ordering more than one option, indicate symbols numerically then alphabetically Ex) 2EK

*Over Max. pressure value can be set.

Pressure Gauge

Symbol	Description	Pressure range
Blank	No-gauge	
G	Integral pressure gauge (W/Limit Indicator)	1.0MPa(140psi)
P	Pressure gauge	1.0MPa(140psi)
P2	Pressure gauge	0.2MPa(30psi)
P4	Pressure gauge	0.4MPa(60psi)

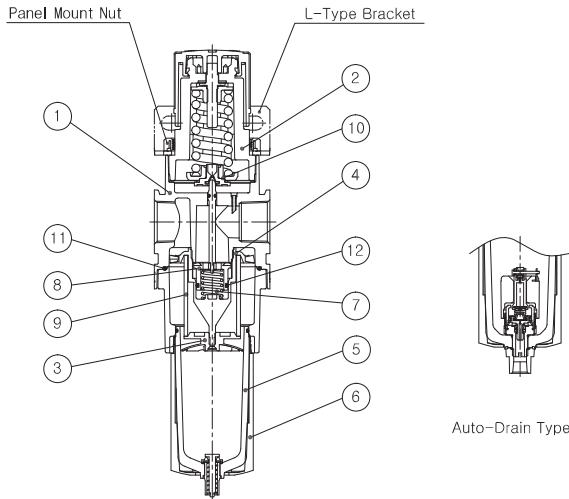
Drain Options

Blank	Manual Push Drain
D	Auto Drain (N.O Type)

Note3)

Note3) Min.operating pressure is 0.15MPa (20psi) for Auto Drain (N.O Type)

Construction



Main Parts / Parts List

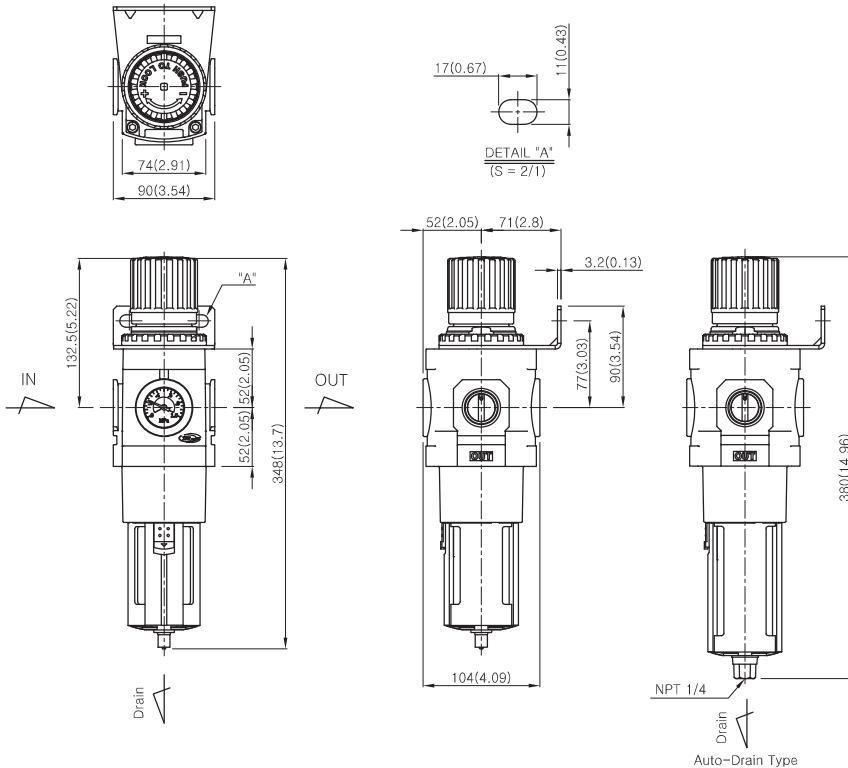
No.	Description	Material	Remarks
①	Body	Aluminum	
②	Bonnet	Aluminum	
③	Baffle	Acetal	
④	Deflector	Nylon	
⑤	Bowl	Polycarbonate	
⑥	Bowl guard	Nylon	
⑦	Valve Spring	Stainless steel	

Replacement Parts / Parts List

No.	Description	Material	Part No.
⑧	Valve ass'y	Brass+NBR	PP5-08A001-01
⑨	Filter element	Polyethylene	PF5-24-005-01
⑩	Diaphragm ass'y	Aluminum+NBR	PR5-11A001-01
⑪	Bowl O-ring	NBR	TAF4000-08-6000
⑫	Valve O-ring	NBR	P21-01

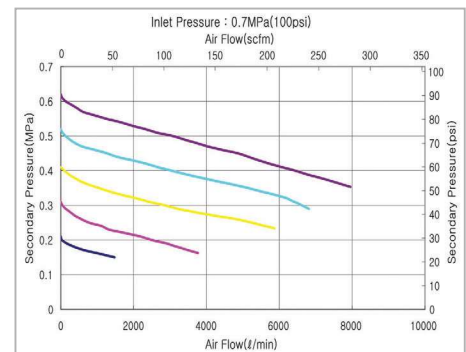
Piggyback Filter/Regulator

Dimensions



Flow Characteristics

▶ 3/4" PP5



▶ 1" PP5

