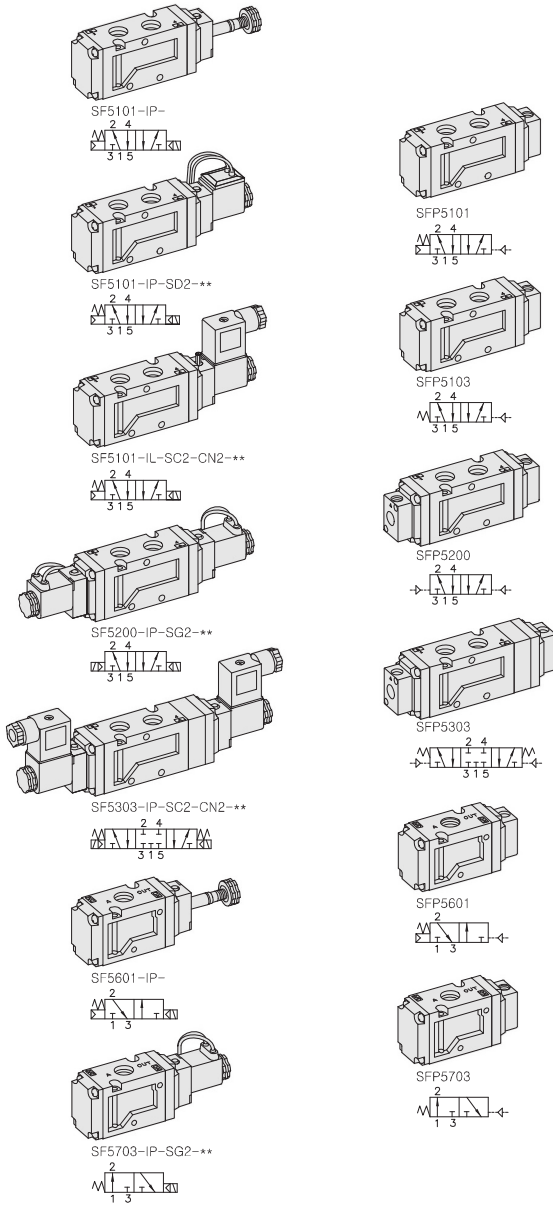


SF5000. 3/8

"F" FLEXIBLE Series
Solenoid / Pneumatic Valves

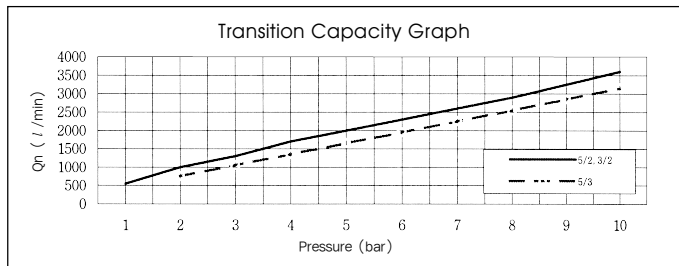
- 5/2, 5/3, 3/2 - 3/8
- 32mm Body Width
- Transition Flow 2000ℓ/min (5bar)



** : Voltage Selection (see page 80)

SPECIFICATION

ITEM	SERIES	SOLENOID, PNEUMATIC	
	FUNCTION	5, 3 Port 2 Position	5 Port 3 Position
Fluids		Compressed Air & Inert Gases	
Pressure(bar)		1.5~10.0	2.0~10.0
Eff. Section Area(mm ²)-5bar		36.0	30.0
Ambient & Fluid Temp.		5~60°C (41~140°F)	
Response Time(5bar)		30ms or Less	40ms or Less
Max. Working Frequency		5c/sec	3c/sec
Lubrication		Not Required(Use ISO VG32#)	
Manual Override		Push Button(Standard), Lever Lock(Optional)	
Coil Insulation Class		F-Class or Equivalent	
Permissible Voltage Variation		±10% of Rated Voltage	
Off Min. Residual Voltage		AC:20% or Less / DC:10% or Less	
Power Consumption		Holding-AC:5.5VA(60Hz) / DC:2.5W	



The Material of Parts

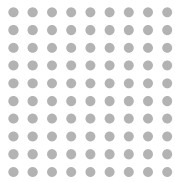
- Valve Body : Die-Cast Aluminium
- Pilot Parts : Glass Filled Nylon
- Spool : Aluminium
- Armature : Stainless Steel
- Seals : NBR
- Armature Seals : Viton
- Spring : Stainless
- Cap : Zinc Pressure Die-Cast

* The specification on each item can be amended without any prenotice to improve a performance.
* The specification on each item can be different from actual specification.

ORDERING NO.

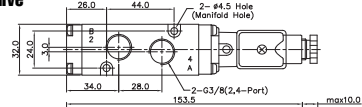
SF5 1 0 1 - I P - SC2 - CN2 - A2

Valve Series	Function	Port Size & Thread	Return Method	Int/Ext. Pilot	Manual Operator	Solenoid Coil Type	Connector Type	Voltage
SF5 : Solenoid Valve	1 5/2 Single	0 G 3/8	0 None	I Internal Pilot	0 None	0 None	0 None	0 None
	2 5/2 Double	1 NPT 3/8	1 Air + Spring		P Push Non-Locking	SC2 3 Pin Connector Coil	CN2 Normal Connector	A2 AC 220V
	3 5/3 Closed Center		2 Air		L Lever Locking	SG2 Grommet/Flying Leads	CD2 Connector With LED	A1 AC 110V
	4 5/3 Open Center		3 Spring			SD2 Grommet/Flying Leads With LED	CZ2 Connector With LED & Surge Suppressor	A4 AC 24V
SFP5 : Pneumatic Valve	5 5/3 Pressure Center							D4 DC 24V
	6 3/2 Normally Closed							D4 DC 24V
	7 3/2 Normally Open							D2 DC 12V

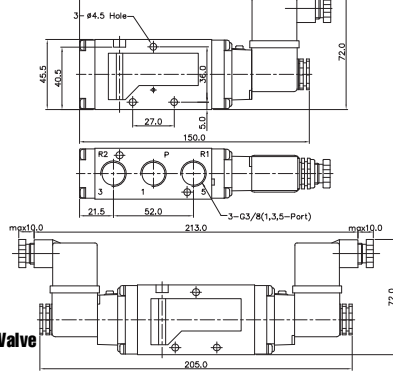


5Port 2Position Solenoid Valve

Single Center
SF5300-HP-SC2-CN2-***
22 44
33 65



Double Center
SF5300-HP-SC2-CN2-***
22 44
33 65

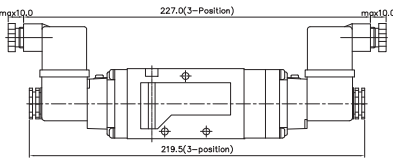


5Port 3Position Solenoid Valve

Closed Center
SF5303-IP-SC2-CN2-***
22 44
33 65

Exhaust Center
SF5403-IP-SC2-CN2-***
22 44
33 65

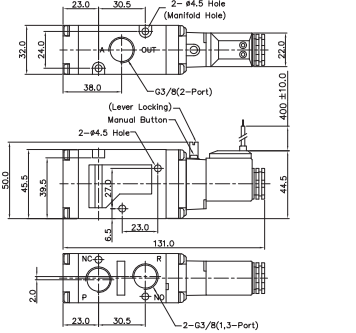
Pressure Center
SF5503-IP-SC2-CN2-***
22 44
33 65



3Port 2Position Solenoid Valve

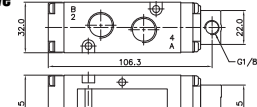
Normally Closed
SF5601-IP-SD2-***
22 44
33 65

Normally Closed
SF5701-IP-SD2-***
22 44
33 65

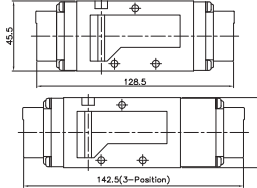


5Port 2Position Pneumatic Valve

Single Pneumatic
SFP5101
2 4
3 15



Double Pneumatic
SFP5200
2 4
3 15



5Port 3Position Pneumatic Valve

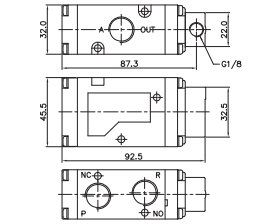
Closed Center
SFP5303 2 4
3 15

Exhaust Center
SFP5403 2 4
3 15

Pressure Center
SFP5503 2 4
3 15

3Port 2Position Pneumatic Valve

Single Pneumatic
SFP5601
2 4
3 15



MF5000 MANIFOLD BLOCK

(SF5000 Solenoid & Pneumatic Valve Use)

Manifold Block Ordering Code

MF 5500 - 2

Series	Manifold Station
MF5500	5 Way
MF5300	3 Way

Manifold Station	Series
02	2-Station
04	4-Station
06	6-Station
08	8-Station
10	10-Station

Blanking Plate Ordering Code

MF5500-BLK

Blanking Plate. (Material: SCP1)

Manifold Gasket. (Material: NBR)

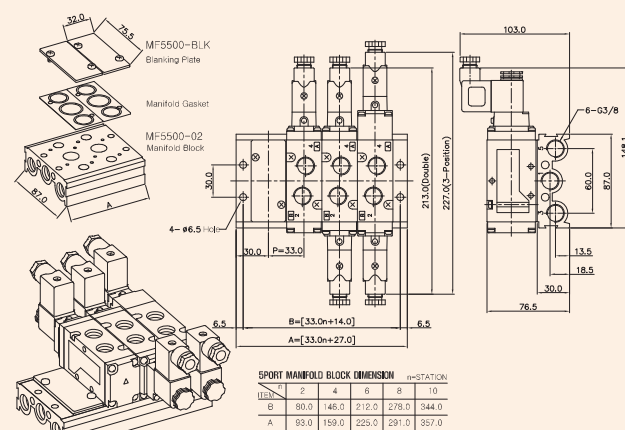
MF5300-BLK

Blanking Plate. (Material: SCP1)

Manifold Gasket. (Material: NBR)

5-Port Manifold Block

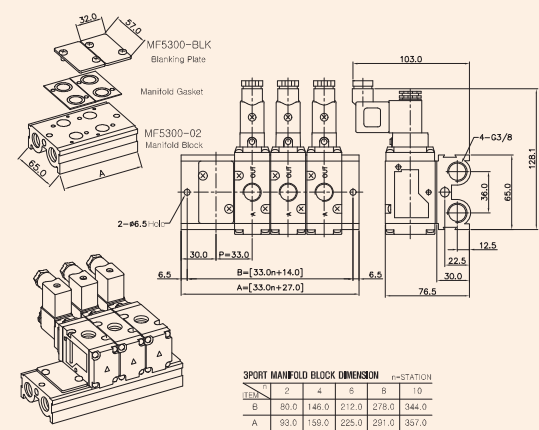
MF5500-4



5PORT MANIFOLD BLOCK DIMENSION		n-STATION			
UNIT	2	4	6	8	10
B	80.0	146.0	212.0	278.0	344.0
A	93.0	159.0	225.0	291.0	357.0

3-Port Manifold Block

MF5300-4



3PORT MANIFOLD BLOCK DIMENSION		n-STATION			
UNIT	2	4	6	8	10
B	80.0	146.0	212.0	278.0	344.0
A	93.0	159.0	225.0	291.0	357.0