

Transformer

Control Transformer



NDK
Control Transformer

Page K-01



JBK5
Control Transformer

Page K-04



JBK6
Control Transformer

Page K-06



SG
Series Three-phase
Air-immersed
Transformer

Page K-08

Current Transformer



BH-0.66 I
Current Transformer

Page K-11



BH(SDH)-0.66 II
Current Transformer

Page K-15



BH-0.66 III
Current Transformer

Page K-17



RCT
Current Transformer

Page K-22



MES
Current Transformer

Page K-25

Potential Transformer



JDZ-1
Voltage Transformer

Page K-26



JDG4-0.5
Voltage Transformer

Page K-27

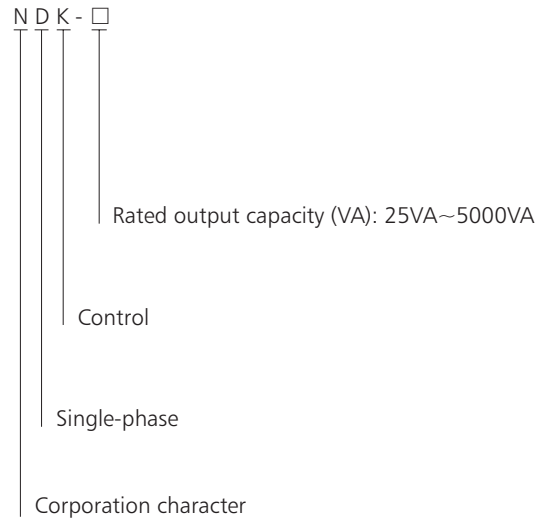


NDK Control Transformer

1. General

- 1.1 Frequency: AC 50Hz/60Hz;
- 1.2 Application: for control power supply of apparatus, partial illumination and indicator light of machine tool and other mechanic equipments.
- 1.3 Standard: IEC/EN 61558, Q/ZT258.

2. Type designation



3. Operation conditions

- 3.1 Temperature: $-5^{\circ}\text{C} \sim +40^{\circ}\text{C}$, the average value within 1 month should not exceed $+30^{\circ}\text{C}$ and not exceed $+20^{\circ}\text{C}$ within 1 year;
- 3.2 Altitude: $\leq 2000\text{m}$;
- 3.3 Relative humidity: $\leq 95\%$

4. Features

The transformer is characterized by excellent performances, reliable operation, compact design, safe wiring, and wide application, etc.

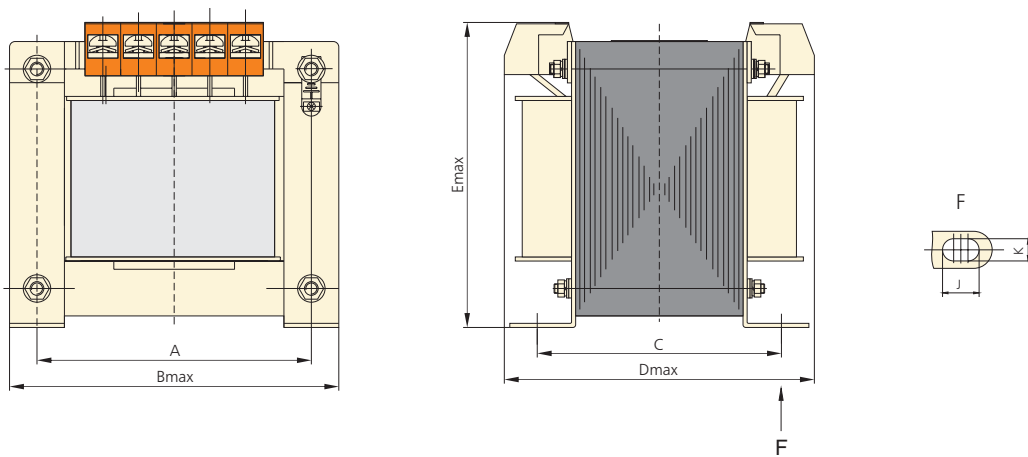
5. Technical data

Model	Capacity (VA)	Rated input voltage(V)	Rated output voltage(V)	Frequency (Hz)
NDK-25	25	230, 400	6, 12, 24, 36, 110, 127, 230, 400	50/60
NDK-50	50			
NDK-100	100			
NDK-150	150			
NDK-200	200			
NDK-250	250			
NDK-300	300			
NDK-400	400			
NDK-500	500			
NDK-700	700			
NDK-1000	1000			
NDK-1500	1500			
NDK-2000	2000			
NDK-3000	3000			
NDK-4000	4000			
NDK-5000	5000			

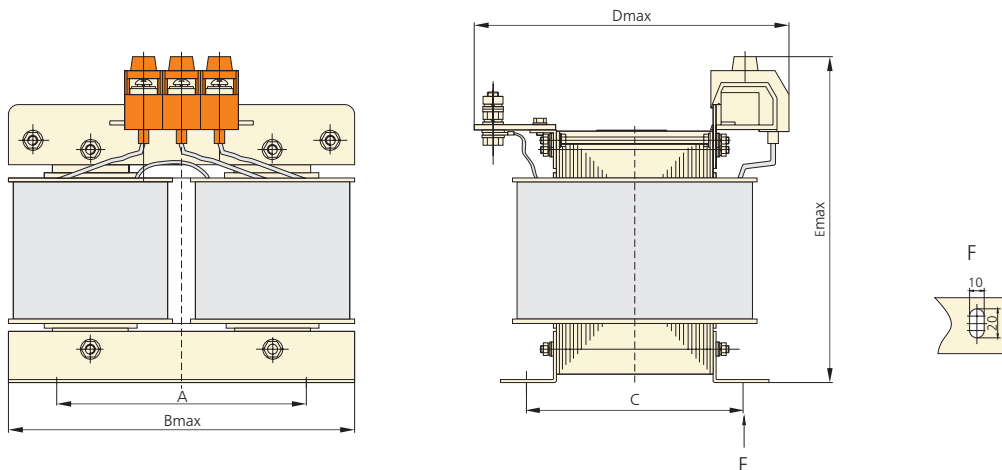
Note: Customized products are available.

6. Overall and mounting dimensions

NDK-25~1000



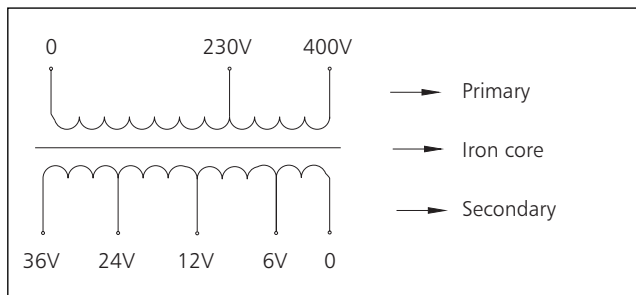
NDK-1500~5000



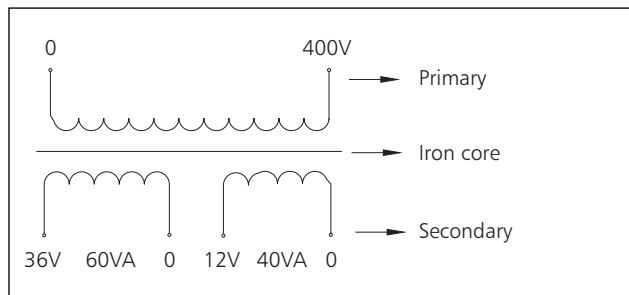
Model	Mounting dimensions (A×C) (mm)	Mounting holes (K×J) (mm)	Overall dimensions (B×D×E) (mm)
NDK-25	62.5×50	5×8	80×80×82
NDK-50	70×58	6×10	85×83×84
NDK-100	85×64	6×10	103×87×99
NDK-150	85×72	6×10	103×93×99
NDK-200	85×83	6×10	103×105×99
NDK-250	100×80	8×11	130×120×150
NDK-300	100×84	8×11	130×125×150
NDK-400	110×114	8×11	148×155×153
NDK-500	110×114	8×11	148×155×153
NDK-700	125×99	8×11	173×158×174
NDK-1000	125×123	8×11	173×186×174
NDK-1500	160×120	10×20	265×195×265
NDK-2000	160×130	10×20	265×205×275
NDK-3000	160×140	10×20	265×220×305
NDK-4000	190×180	10×20	315×260×305
NDK-5000	190×180	10×20	315×260×305

7. Wiring

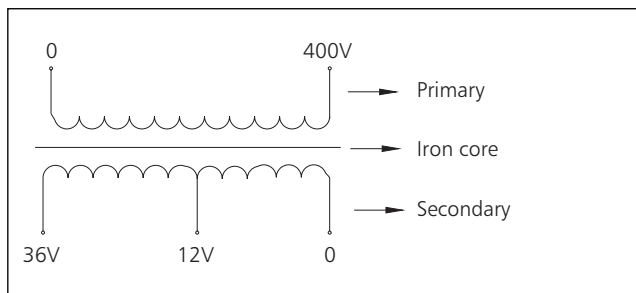
7.1 NDK-100, capacity: 100VA, input 400V 230V, output 36V 24V 12V 6V



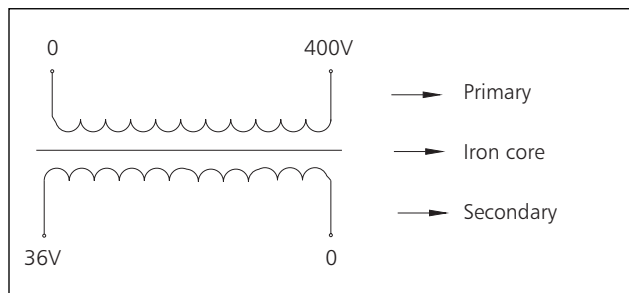
7.2 NDK-100, capacity: 100VA, input 400V, output 36V; capacity 60VA 12V; capacity 40VA



7.3 NDK-100, capacity: 100VA, input 400V, output 36V 12V



7.4 NDK-100, capacity: 100VA, input 400V, output 36V





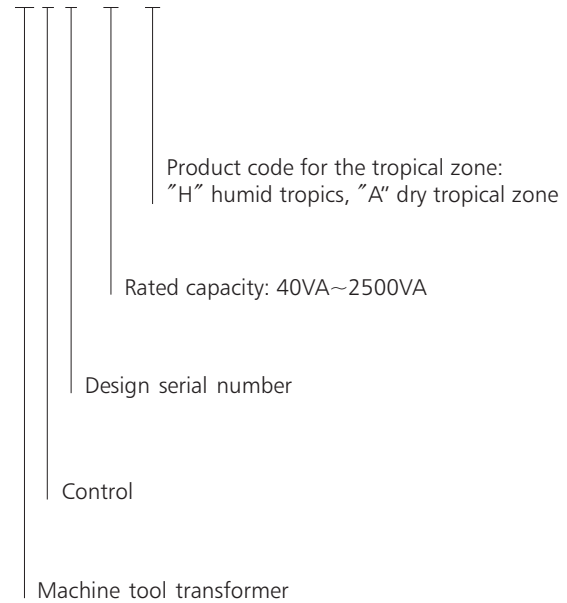
JBK5 Control Transformer

1. General

- 1.1 Application: JBK5 series control transformers are suitable for AC circuit of 50Hz/60Hz, used as control sources for various mechanical equipment and general electrical appliances, and used as power supplies for work lighting and signal lamps.
- 1.2 Standard: IEC/EN 61558, Q/ZT205

2. Type designation

JB K 5 - □ / □



3. Operating conditions

- 3.1 Temperature: $-5^{\circ}\text{C} \sim +40^{\circ}\text{C}$, should not exceed $+35^{\circ}\text{C}$ the average value within 24 hours. If the lowest limit is -10°C or -25°C , please declared.
- 3.2 Altitude: $\leq 2000\text{m}$;
- 3.3 Relative humidity $\leq 90\%$, when the average lower limit value is under $+25^{\circ}\text{C}$ within the month; $\leq 50\%$ when the temperature is $+40^{\circ}\text{C}$.
And when lower temperature; the humidity could be relatively higher. But the teperature is lower, the humidity higher.

4. Structure features

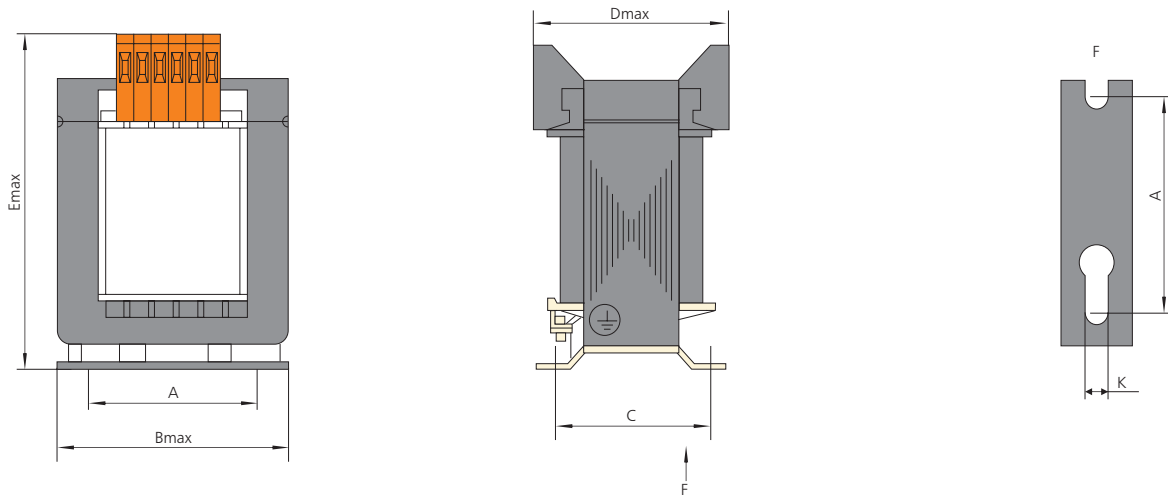
We always adopt gas argon arc welding for the connection among iron cores and between iron core and clamping piece (mounting piece) of JBK5 series control transformers, which enables the product to be an entirety, so that the structure is more reasonable and reliable.

The mounting piece adopts technique of casting at a time and the earthing lugs are made of high quality corrosion protection alloy material, which sharply improves the reliability of grounding.

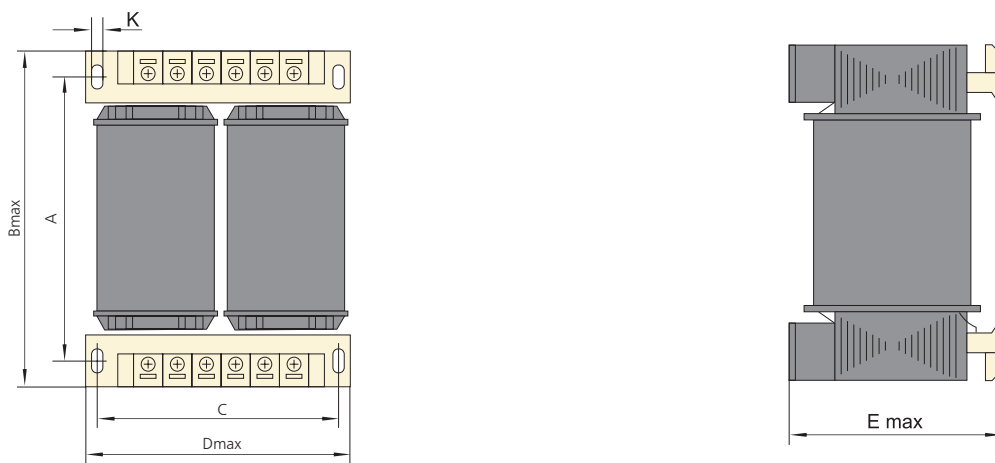
In addition, the products have advantages of reliable operation, low dissipation of energy, compact volume, safe wiring, wide applicability, etc.

5. Overall and mounting dimensions

JBK5-40~630 type



JBK5-1000~2500 type



Dimension (mm) Capacity (VA)	Item	Overall dimensions (mm)			Mounting dimensions (mm)		Mounting holes (mm)
		B max	D max	E max	A	C	K
40~63		79	78	92	66	46	4.8
100		85	95	97	72	62	4.8
160		97	96	105	84	73.5	5.8
250		97	110	105	84	85	5.8
400		121	110	122	100	85	7
630		151	116	143	130	90	7
1000		230	170	156	160	142	7×14
1600		258	185	168	180	155	7×14
2500		285	210	175	210	175	7×14



JBK6 Control Transformer

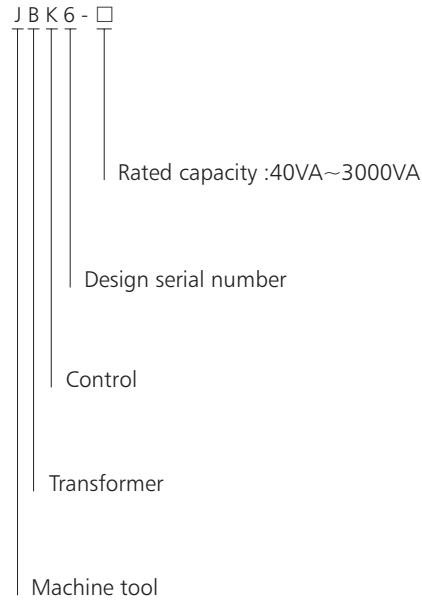
1. General

1.1 Application:

JBK6 series control transformers are suitable for AC circuit of 50Hz/60Hz, used as control power for machine tools and industrial mechanical equipment, and used as power supplies for electronic equipment, work lighting and signal lamps.

1.2 Standard: Q/ZT205.

2. Type designation



3. Operation conditions

- 3.1 Temperature: $-5^{\circ}\text{C} \sim +40^{\circ}\text{C}$,
the average value should not exceed $+35^{\circ}\text{C}$ within 24 hours.
If the lowest limit is -10°C or -25°C , declared.
- 3.2 Altitude: $\leq 2000\text{m}$;
- 3.3 Relative humidity $\leq 90\%$, when the average value is under $+25^{\circ}\text{C}$; $\leq 50\%$ when the temperature is $+40^{\circ}\text{C}$.
Put the temperature is lower, the humidity is higher.

4. Structure features

This series transformer is the successor of other control transformers, is made of imported material with advanced technique, with advantages of reliable operation, low loss of energy, compact volume, safe wiring, wide applicability, etc.

We always adopt gas argon arc welding for the connection among iron cores and between iron core and clamping piece (mounting piece) of JBK6 series control transformers (40~630VA), which enable the product to be an entirety, so that the structure is more reasonable and reliable.

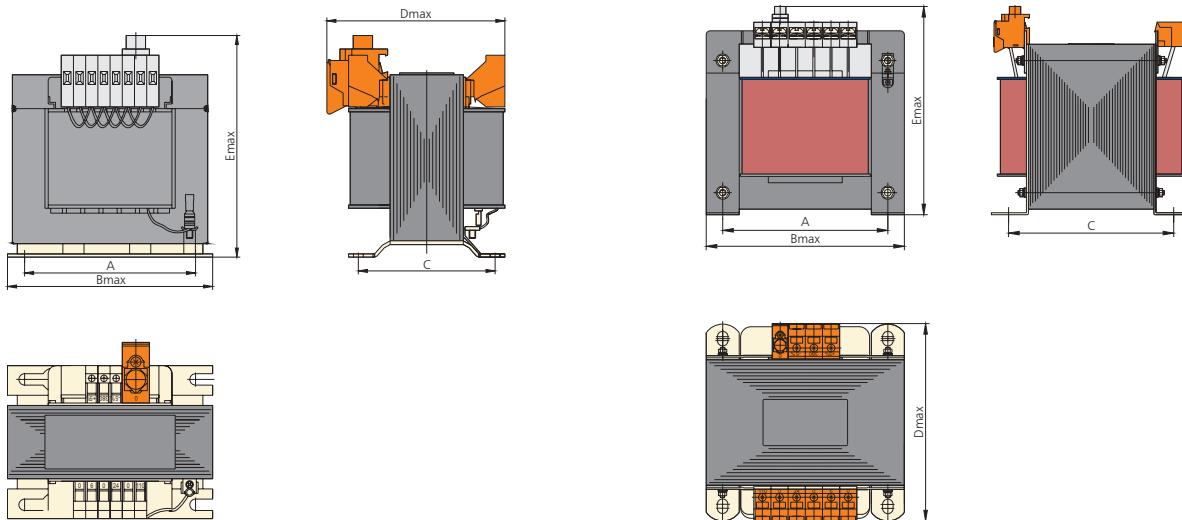
The mounting piece adopts technique of casting at a time, The earthing are made of high quality corrosion protection alloy material, which improves the reliability of grounding, with advantages of reliable operation, low dissipation of energy, compact volume, safe wiring, wide applicability, etc.

This series control transformers are embedded with overheated protector (automatic reset) in the coil, and equipped with over-current protection connection terminal at input end, and the end of overheated protector and over-current protection connection terminal are connected to the connection end of input side of transformer winding in series. Consequently, this series control transformer has functions of over-current protection and overheated protection.

5. Overall and mounting dimensions

JBK6-40~630 type

JBK6-1000~3000 type



Dimension (mm) \ Item	Overall dimensions (mm)			Mounting dimensions (mm)		Mounting holes (mm)
	B max	D max	E max	A	C	K
Capacity (VA)						
JBK6-40	79	78	97	66	46	4.8
JBK6-63	79	78	97	66	46	4.8
JBK6-100	85	94	102	72	62	4.8
JBK6-160	97	96	110	84	73.5	5.8
JBK6-250	97	110	110	84	85	5.8
JBK6-400	122	108	127	100	85	7
JBK6-630	152	116	148	130	90	7
JBK6-1000	152	165	168	125	123	8×11
JBK6-1600	194	155	200	160	123	8×11
JBK6-2500	194	200	200	160	168	8×11
JBK6-3000	194	200	200	160	168	8×11

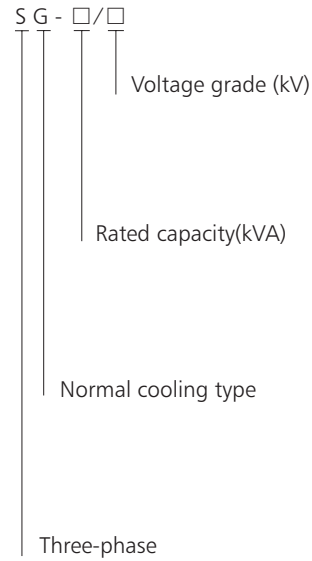


SG Three-phase Air-immersed Transformer

1. Scope of application

SG series Three-phase Air-immersed Transformer, is natural cooling indoor, it is applicable to the circuit of AC 50Hz~60Hz, 1000V and below. It can be used in control power of machine tool and mechanical equipment small type power as well as work lighting and signal lamp power.

2. Type designation



3. Normal working and mounting conditions

- 3.1 Altitude not exceed 2000m.
- 3.2 Ambient temperature within -5°C ~ +40°C.
- 3.3 Relative humidity: less than 95%.
- 3.4 In the ambient, there should not have the gas that corroding metal, destroying insulation. The transformer should not be corroded by water, rain or snow.

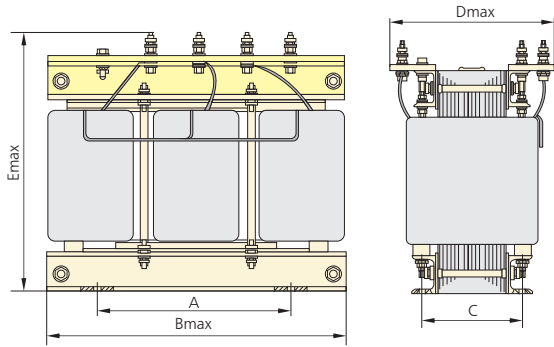
4. Configuration and characters

The transformers have two body types: exposed and fence. It has the advantage of low consumption, small noise, better performance against fire and free of pollution etc. The shell of the protective type is made of steel plate, the transformer is in the shell. There are several holes outside the shell to install the power lines. In addition, this type can add the monitor meter of the voltage and current according to the customer request, and if the capacity is above 80KVA, it can also add the axial flow fan or wheels for moving.

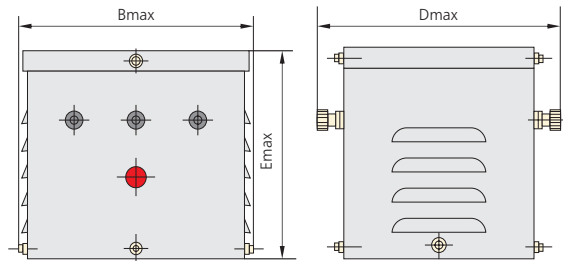
5. Overall and mounting dimensions

- 5.1 The outline of SG series exposed dry cooling type transformer (as sheet, fig.1)
- 5.2 The outline of SG series fence dry cooling type transformer (as sheet, fig.2, fig.3, fig4, fig.5)

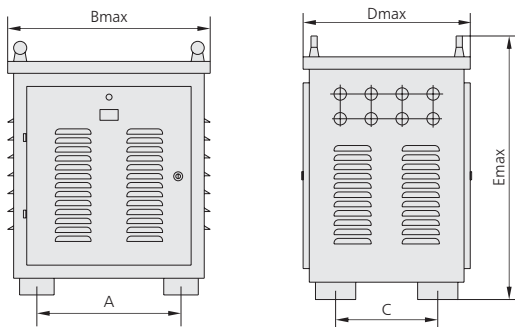
Exposed type



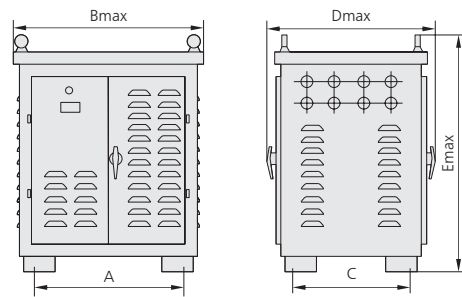
Fence type (0.3kVA~3kVA)



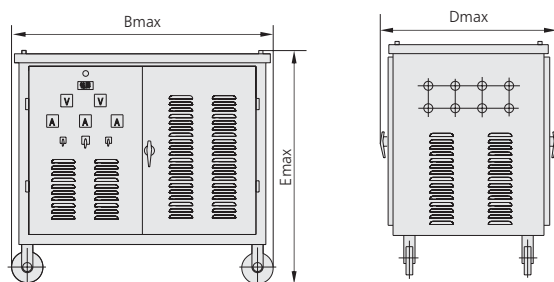
Fence type (4kVA~20kVA)



Fence type (30kVA~60kVA)



Fence type (80kVA~500kVA)



Model	Capacity	Voltage (V)		Connecting mark	Overall dimensions (mm)										Mounting holes			
		Input	Output		Exposed			Fence			Exposed		Fence					
					Bmax	Dmax	Emax	Bmax	Dmax	Emax	A±5	C±5	A±5	C±5				
SG-0.15	0.15	660	380	Yyno (Y/Yo)	200	120	140	220	240	185	125	77	-	-	6×15			
SG-0.3	0.3				200	120	140	220	240	185	125	77	-	-				
SG-0.5	0.5				200	125	140	220	240	185	125	82	-	-				
SG-0.75	0.75				400	220	Yd (Y/Δ)	250	146	220	330	315	265	150	95	-	-	8×16
SG-1	1							250	156	220	330	315	265	150	106	-	-	
SG-1.5	1.5							315	220	260	370	355	315	220	103	-	-	
SG-2	2							315	220	260	370	355	315	220	103	-	-	
SG-2.5	2.5							315	240	260	370	355	315	220	120	-	-	
SG-3	3	315	240	260				370	355	315	220	120	-	-				
SG-4	4	380	110	Dy (Δ/Y)	360	320	330	510	400	550	280	125	415	170	10×20			
SG-5	5				360	320	330	510	400	550	280	125	415	170				
SG-6	6				360	320	330	510	400	550	280	125	415	170				
SG-8	8				400	320	350	560	430	600	280	130	465	200				
SG-10	10	220	36	Dd (Δ/Δ)	430	350	390	560	430	600	310	145	465	200	Φ 10			
SG-15	15				480	355	410	600	440	620	310	155	515	210				
SG-20	20				520	360	430	650	440	650	310	160	545	210				
SG-30	30				690	430	500	870	500	780	420	170	765	270				
SG-40	40				710	450	510	960	640	830	420	175	865	320				
SG-50	50				770	470	570	960	640	830	420	190	865	320				
SG-60	60				780	490	570	1000	640	860	420	200	895	320				
SG-80	80				855	500	600	1060	830	1080	420	205	with weels					
SG-100	100	220	36	Dd (Δ/Δ)	870	520	620	1140	840	1140	420	220	with weels		Φ 14			
SG-150	150				960	580	700	1180	980	1250	640	240	with weels					
SG-200	200				1000	600	750	1260	1000	1300	680	245	with weels					
SG-300	300				1150	750	1000	1480	1020	1480	750	460	with weels					
SG-500	500				1350	920	1260	1700	1500	1700	820	510	with weels					

Notice:

- The dimensions of the above only for reference, when the input current is more than 300A, the customer need to order specially, and the size will change correspondingly.
- You can choose the rated input/output voltage in the sheet arbitrarily according to the demand.
- The voltage and size out of the sheet, should confer with consumer on their demand.
- SG-80kVA and above fence type transformer body have wheels and fan cooling system, with ammeter and voltmeter, as fig.5.
- SG-4kVA~60kVA fence type transformer only have body, with one indicator light of power, as fig.3, fig.4.
- SG-0.3kVA~3kVA fence type transformer's wiring terminals are outside, with an indicator light of power, as fig.2.

6. Order notice

- product designation: three-phase normal-type transformer
- product type
- output capacity: 20kVA
- frequency: 50Hz
- rated input voltage (line-to-line voltage):380V
- rated input voltage (line-to-line voltage):220V
- connection mode: input is "Y", output is "Δ" or Mark Y/Δ
- exposed or fence: exposed





BH-0.66 I Current Transformer

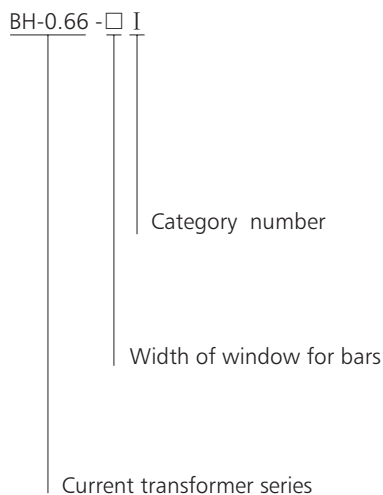
1. Application

To be used in combination with measurement instruments: ammeters, watt-hour meters, measurement units, control relays, etc.


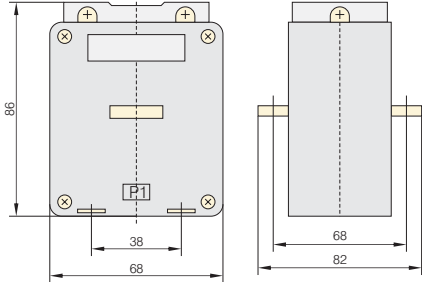

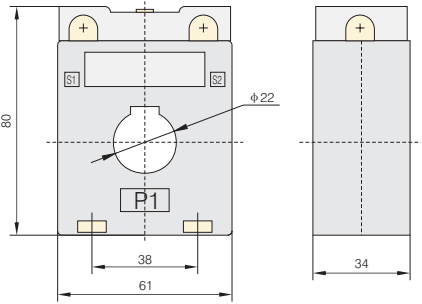

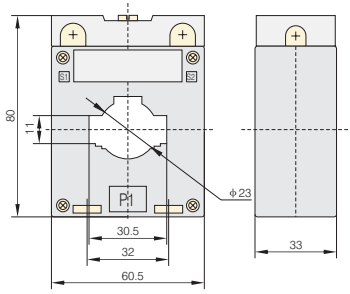

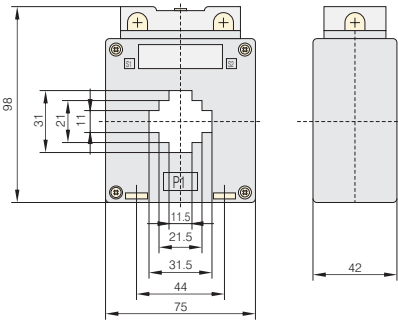
2. Technical data

- 2.1 Secondary current I_{sn} : 5A
- 2.2 Rated voltage U_e : 660 V
- 2.3 Frequency: 50/60 Hz
- 2.4 Instrument security factor (FS): 10
- 2.5 Operating temperature: -5°C to +40°C, humidity <80%
- 2.6 Standards: IEC 60044-1
- 2.7 Installation type: busbar or plate fixing


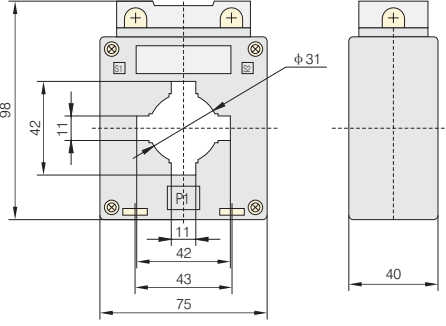

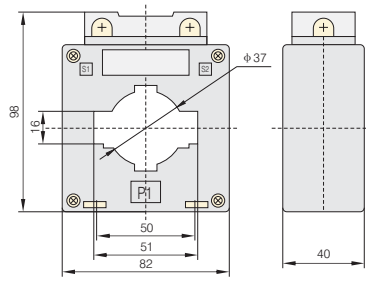

3. Type designation


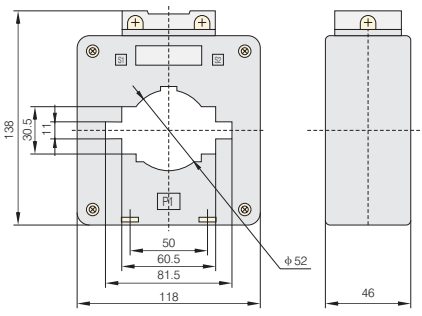

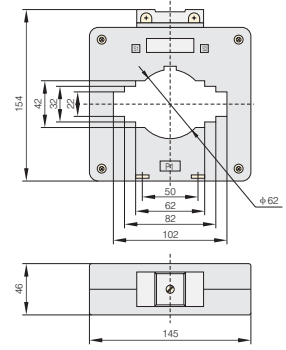

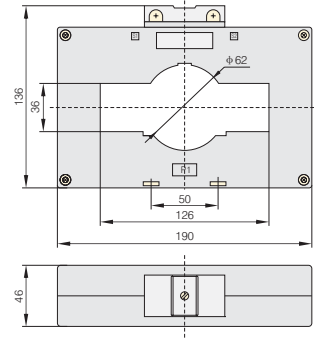


4. Technical data

Model	Transformation ratio(I _{pn} /I _{sn}) (A)	Power(VA)				Number of turns through iron core	Overall and installing dimensions (mm)
		Accuracy class					
		1	0.5	0.5S	0.2		
 BH-0.66 Solid type	5/5	5	2.5				
	10/5	5	2.5				
	15/5	5	2.5				
	20/5	5	2.5				
	25/5	5	2.5				
	30/5	5	2.5				
	40/5	5	2.5				
	50/5	5	2.5				
75/5	5	2.5					
 BH-0.66 20 I	75/5	2.5			1		
	100/5	2.5			1		
 BH-0.66 30 I	30/5	5	2.5				
	50/5	5	2.5				
	75/5	5	2.5				
	75/5	2.5					
	100/5	2.5					
	100/5	5	5				
	150/5	5	2.5				
	200/5	5	5				
	250/5	5	5				
	300/5	5	5				
400/5	5	5					
 BH-0.66 30 I B	30/5			2.5	2.5	5	
	50/5			2.5	2.5	3	
	75/5			2.5	2.5	2	
	75/5	5	2.5			1	
	100/5	5	2.5			1	
	100/5			5	5	2	
	150/5			2.5	2.5	1	
	200/5			5	5	1	
250/5			5	5	1		
300/5			5	5	1		



Model	Transformation ratio(I _p n/I _s n) (A)	Power(VA)				Number of turns through iron core	Overall and installing dimensions (mm)
		Accuracy class					
		1	0.5	0.5S	0.2		
 BH-0.66 40 I	30/5	5	2.5			5	
	50/5	5	2.5			3	
	75/5	5	2.5			2	
	75/5	2.5				1	
	100/5	2.5				1	
	100/5	5	5			2	
	150/5	5	2.5			1	
	200/5	5	5			1	
	250/5	5	5			1	
	300/5	5	5			1	
 BH-0.66 50 I	400/5	5	5			1	
	500/5	10	10	5	5	1	
	600/5	10	10	5	5	1	
	750/5	10	10	10	10	1	
	800/5	10	10	10	10	1	
	1000/5	10	10	10	10	1	
	1200/5	20	20	20	20	1	
	 BH-0.66 60 I	150/5	2.5				
200/5		5				1	
250/5		5	5			1	
300/5		5	5			1	
400/5		5	5			1	
500/5		10	10	5	5	1	
600/5		10	10	5	5	1	
750/5		10	10	10	10	1	
800/5		10	10	10	10	1	
1000/5		10	10	10	10	1	
1200/5	20	20	20	20	1		
1500/5	20	20	20	20	1		

Model	Transformation ratio(I _p /I _{sn}) (A)	Power(VA)				Number of turns through iron core	Overall and installing dimensions (mm)
		Accuracy class					
		1	0.5	0.5S	0.2		
 BH-0.66 80 I	300/5	5	5			1	
	400/5	5	5			1	
	500/5	10	10			1	
	600/5	10	10			1	
	750/5	10	10	10	10	1	
	800/5	10	10	10	10	1	
	1000/5	10	10	10	10	1	
	1200/5	20	20	20	20	1	
	1500/5	20	20	20	20	1	
	2000/5	20	20	20	20	1	
 BH-0.66 100 I	600/5	10	10			1	
	750/5	10	10	10	10	1	
	800/5	10	10	10	10	1	
	1000/5	10	10	10	10	1	
	1200/5	20	20	20	20	1	
	1500/5	20	20	20	20	1	
	2000/5	20	20	20	20	1	
2500/5	40	40	40	40	1		
 BH-0.66 120 I	1000/5	10	10	10	10	1	
	1200/5	20	20	20	20	1	
	1500/5	20	20	20	20	1	
	2000/5	20	20	20	20	1	
	2500/5	40	40	40	40	1	
	3000/5	40	40	40	40	1	
4000/5	40	40	40	40	1		





BH(SDH)-0.66 II Current Transformer

1. Application

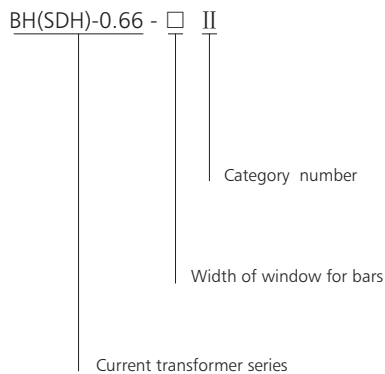
To be used in combination with measurement instruments: ammeters, watt-hour meters, measurement units, control relays, etc.




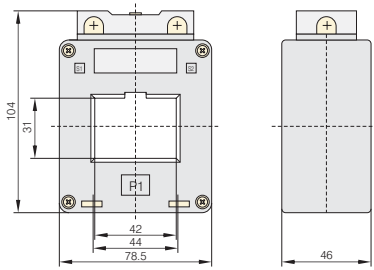
2. Technical data


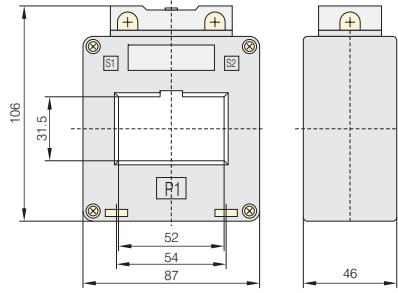

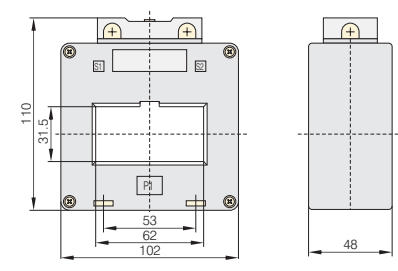

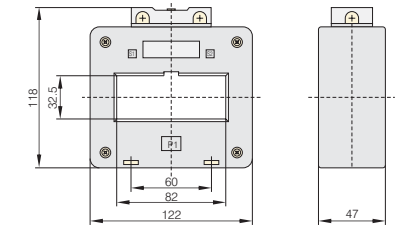

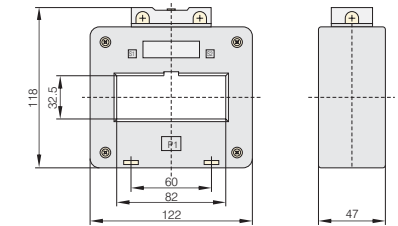

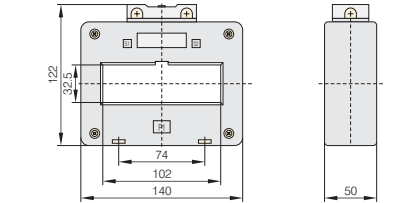

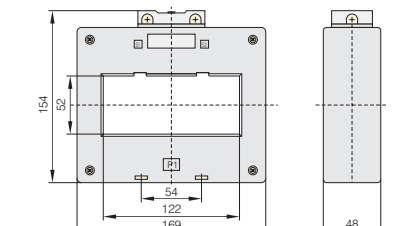

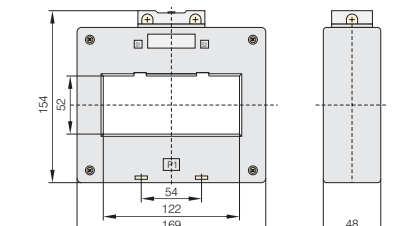
- 2.1 Secondary current I_{sn} : 5A
- 2.2 Rated voltage U_e : 660 V
- 2.3 Frequency: 50/60 Hz
- 2.4 Instrument security factor (FS): 10
- 2.5 Operating temperature: -5°C to $+40^{\circ}\text{C}$, humidity $<80\%$
- 2.6 Altitude: $\leq 1000\text{m}$
- 2.7 Standards: IEC 60044-1
- 2.8 Installation type: Busbar or plate fixing

3. Type designation



4. Technical data

Model	Transformation ratio(I_p/I_{sn}) (A)	Rated output(VA)				Number of turns through iron core	Overall and installing dimensions (mm)
		Accuracy class					
		1	0.5	0.5S	0.2		
 BH(SDH)-0.66 40 II	150/5	5	2.5			1	
	200/5	5	5			1	
	250/5	5	5			1	
	300/5	5	5			1	
	400/5	5	5			1	
	500/5	10	10	5	5	1	
	600/5	10	10	5	5	1	
	750/5	10	10	10	10	1	

Model	Transformation ratio(I _p n/I _s n) (A)	Rated output(VA)				Number of turns through iron core	Overall and installing dimensions (mm)		
		Accuracy class							
		1	0.5	0.5S	0.2				
 BH(SDH)-0.66 50 II	150/5	2.5				1			
	200/5	5	5			1			
	250/5	5	5			1			
	300/5	5	5			1			
	400/5	5	5			1			
	500/5	10	10	5	5	1			
	600/5	10	10	5	5	1			
	750/5	10	10	10	10	1			
	800/5	10	10	10	10	1			
	1000/5	10	10	10	10	1			
 BH(SDH)-0.66 60 II	1200/5	20	20	20	20	1			
	300/5	5	5			1			
	400/5	5	5			1			
	500/5	10	10	5	5	1			
	600/5	10	10	5	5	1			
	750/5	10	10	10	10	1			
	800/5	10	10	10	10	1			
 BH(SDH)-0.66 80 II	1000/5	10	10	10	10	1			
	1200/5	20	20	20	20	1			
	1500/5	20	20	20	20	1			
	2000/5	20	20	20	20	1			
	 BH(SDH)-0.66 100 II	600/5	10	10				1	
		750/5	10	10				1	
800/5		10	10	10	10	1			
1000/5		10	10	10	10	1			
 BH(SDH)-0.66 120 II	1200/5	20	20	20	20	1			
	1500/5	20	20	20	20	1			
	2000/5	20	20	20	20	1			
	2500/5	40	40	40	40	1			
 BH(SDH)-0.66 120 II	1000/5	10	10	10	10	1			
	1200/5	20	20	20	20	1			
	1500/5	20	20	20	20	1			
	2000/5	20	20	20	20	1			
	2500/5	40	40	40	40	1			
 BH(SDH)-0.66 120 II	3000/5	40	40	40	40	1			
	4000/5	40	40	40	40	1			





BH-0.66 III Current Transformer

1. Application

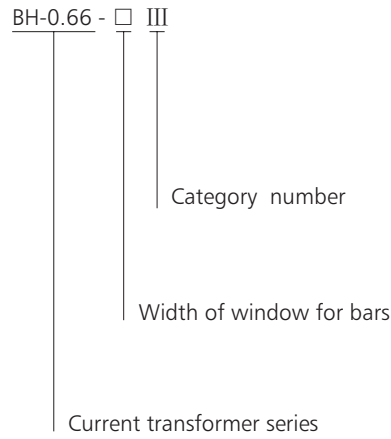
To be used in combination with measurement instruments: ammeters, watt-hour meters, measurement units, control relays, etc.




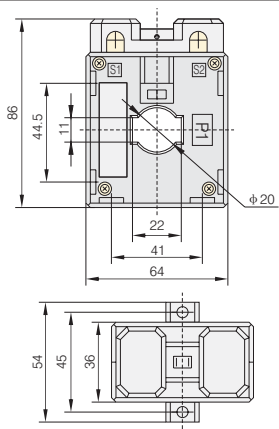
2. Technical data


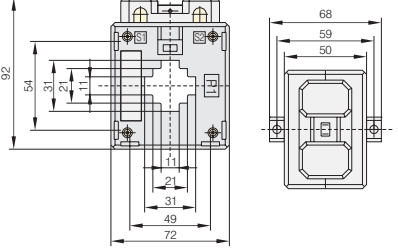

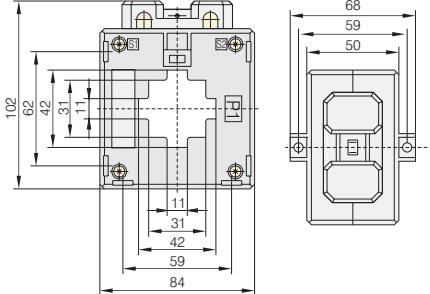

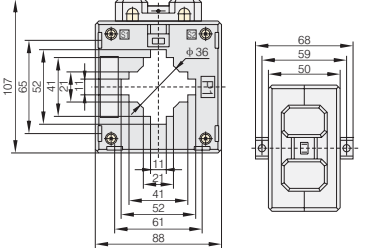

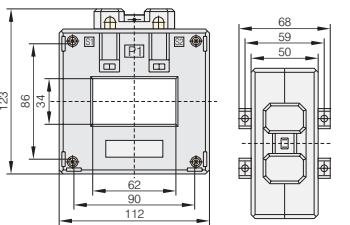

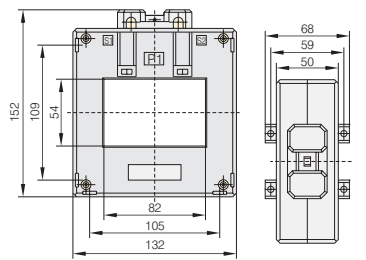
- 2.1 Secondary current I_{sn} : 5A
- 2.2 Rated voltage U_e : 660 V
- 2.3 Frequency: 50/60 Hz
- 2.4 Instrument security factor (FS): 10
- 2.5 Operating temperature: -5°C to $+40^{\circ}\text{C}$, humidity $<80\%$
- 2.6 Standards: IEC 60044-1
- 2.7 Installation type: busbar or plate fixing

3. Type designation


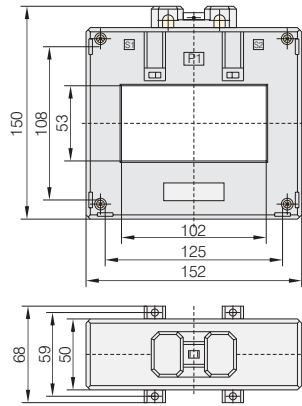

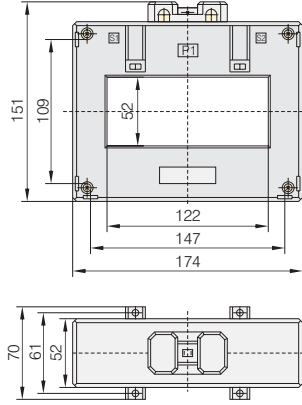


4. Technical data

Model	Transformation ratio(I_{pn}/I_{sn}) (A)	Rated output(VA)				Number of turns through iron core	Overall and installing dimensions (mm)
		Accuracy class					
		1	0.5	0.5S	0.2		
 BH-0.66 20 III	75/5	2.5				1	
	100/5	5				1	
	150/5	10	5			1	
	200/5	10	5			1	

Model	Transformation ratio(I _p n/I _s n) (A)	Rated output(VA)				Number of turns through iron core	Overall and installing dimensions (mm)
		Accuracy class					
		1	0.5	0.5S	0.2		
 BH-0.66 30 III	150/5	10	5	5	5	1	
	200/5	10	5	5	5	1	
	250/5	10	5	5	5	1	
	300/5	10	10	5	5	1	
	400/5	10	10	5	5	1	
	500/5	10	10	10	10	1	
 BH-0.66 40 III	150/5	10	5			1	
	200/5	10	5			1	
	250/5	10	5			1	
	300/5	10	10	5	5	1	
	400/5	10	10	5	5	1	
	500/5	10	10	10	10	1	
	600/5	10	10	10	10	1	
	750/5	10	10	10	10	1	
800/5	10	10	10	10	1		
1000/5	10	10	10	10	1		
 BH-0.66 50 III	300/5	10	10			1	
	400/5	10	10			1	
	500/5	10	10	10	10	1	
	600/5	10	10	10	10	1	
	750/5	10	10	10	10	1	
	800/5	10	10	10	10	1	
	1000/5	10	10	10	10	1	
1200/5	20	20	20	20	1		
 BH-0.66 60 III	500/5	10	10	10	10	1	
	600/5	10	10	10	10	1	
	750/5	10	10	10	10	1	
	800/5	10	10	10	10	1	
	1000/5	10	10	10	10	1	
	1200/5	20	20	20	20	1	
1500/5	20	20	20	20	1		
 BH-0.66 80 III	500/5	10	10	10	10	1	
	600/5	10	10	10	10	1	
	750/5	10	10	10	10	1	
	800/5	10	10	10	10	1	
	1000/5	10	10	10	10	1	
	1200/5	20	20	20	20	1	
	1500/5	20	20	20	20	1	
	2000/5	40	40	40	40	1	
2500/5	40	40	40	40	1		



Model	Transformation ratio(I_p/I_n) (A)	Rated output(VA)				Number of turns through iron core	Overall and installing dimensions (mm)
		Accuracy class					
		1	0.5	0.5S	0.2		
 BH-0.66 100 III	800/5	10	10	10	10	1	
	1000/5	10	10	10	10	1	
	1200/5	20	20	20	20	1	
	1500/5	20	20	20	20	1	
	2000/5	40	40	40	40	1	
	2500/5	40	40	40	40	1	
 BH-0.66 120 III	1000/5	10	10	10	10	1	
	1200/5	20	20	20	20	1	
	1500/5	20	20	20	20	1	
	2000/5	40	40	40	40	1	
	2500/5	40	40	40	40	1	
	3000/5	40	40	40	40	1	
	4000/5	40	40	40	40	1	

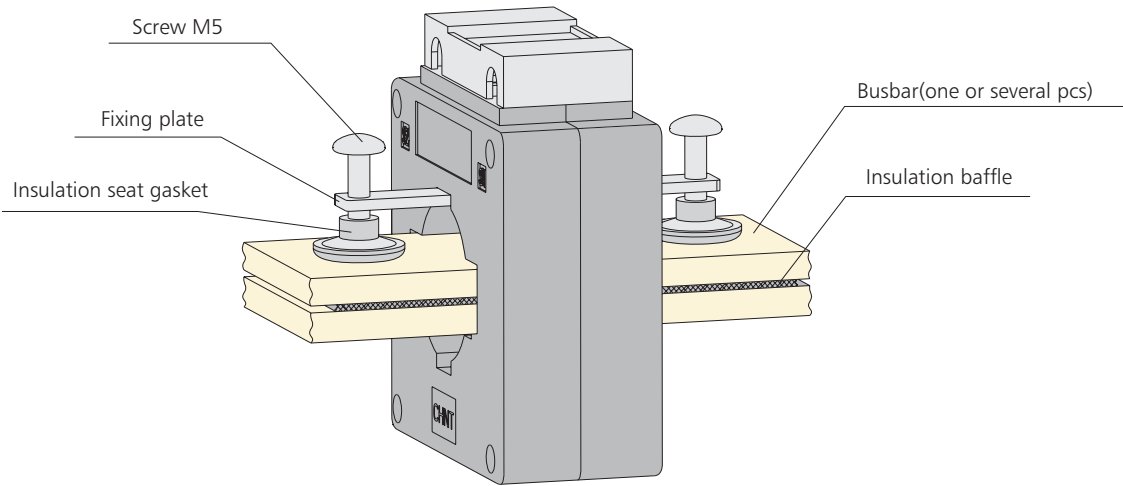
5. Features

- 5.1 The product is characterized by high accuracy, fewer accessories and easy mounting, etc.
- 5.2 Made of single or several pieces of enameled wire evenly distributed around the core, secondary winding is characterized by good magnetic conductivity capability, low power consumption, small magnetic-flux-leakage and convenient compensation adjustment.
- 5.3 Encapsulated in fire-rearardant plastic, the enclosure is characterized by good insulation capacity, high intensity, elegant apperance, light convenient mounting, ect.

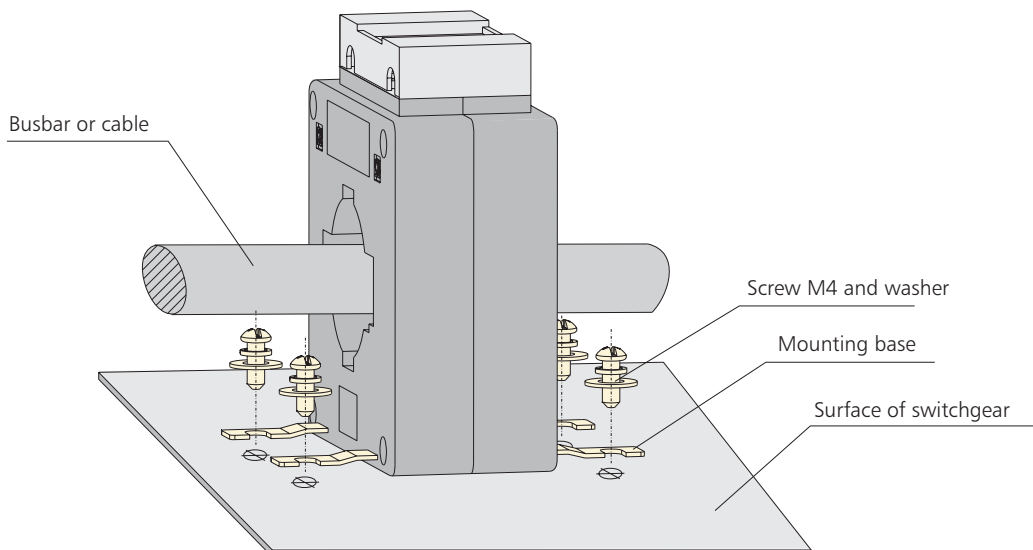
6. Installation

The fig below illustrates how the current transformer BH is mounted

Fixing through busbar

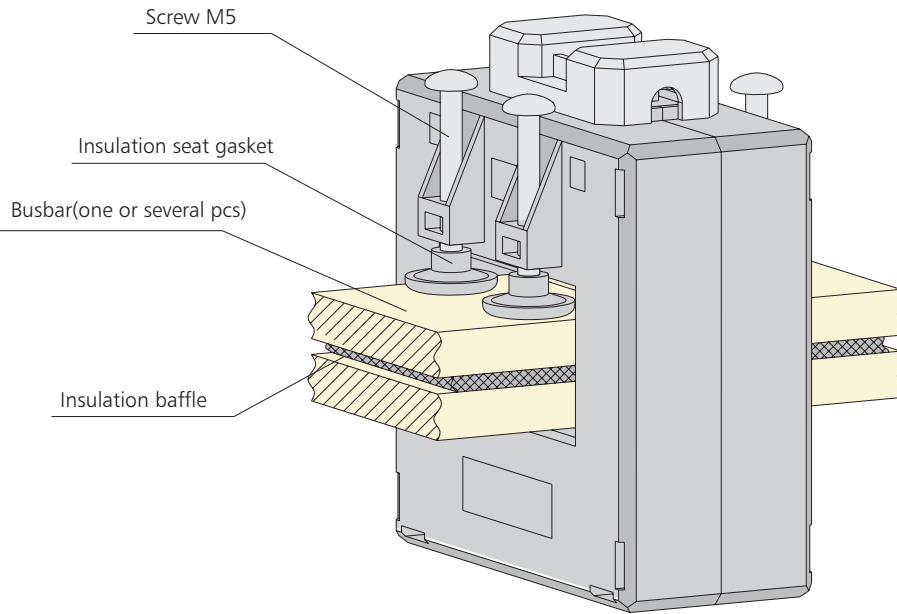


Base mounting

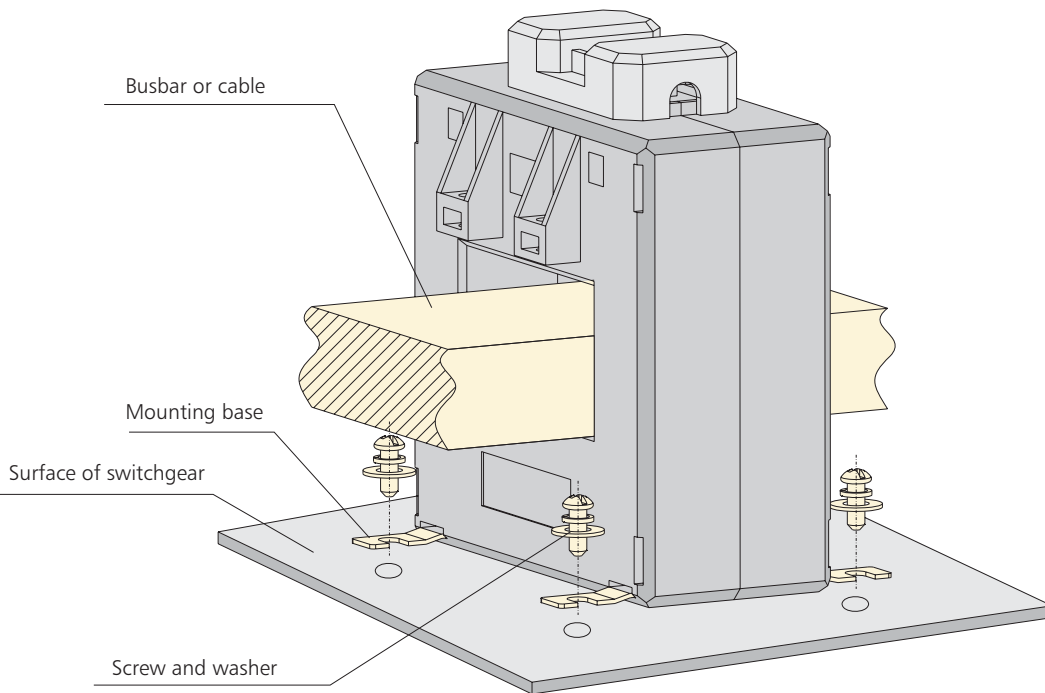


The fig below illustrates how the current transformer BH-0.66 is mounted

Fixing through busbar



Base mounting





RCT Current Transformer

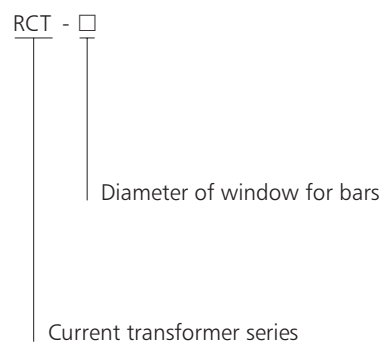
1. Application

- 1.1 Application: to be used in combination with measurement instruments: ammeters, watt-hour meters, measurement units, control relays, etc.

2. Technical data

- 2.1 Secondary current I_{sn} : 5A
- 2.2 Rated voltage U_e : 660 V
- 2.3 Frequency: 50/60 Hz
- 2.4 Instrument security factor (FS): 10
- 2.5 Operating temperature: $-5^{\circ}\text{C} + 40^{\circ}\text{C}$, humidity $< 80\%$
- 2.6 Standards: IEC 60044-1
- 2.7 Installation type: busbar or plate fixing


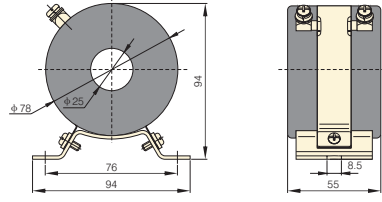

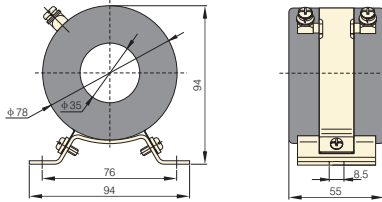

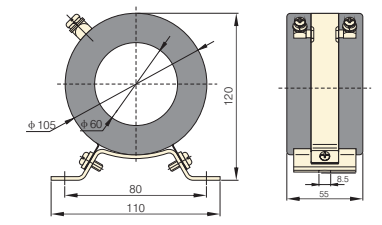

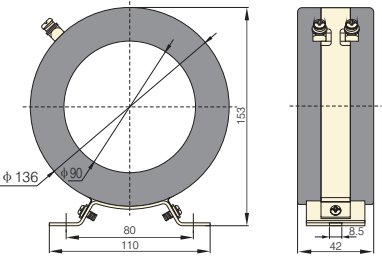

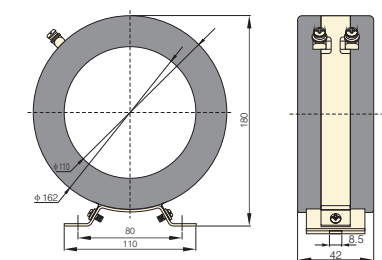

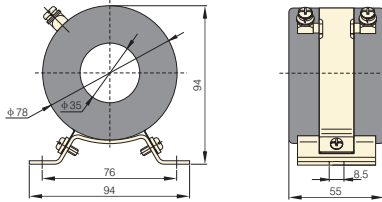

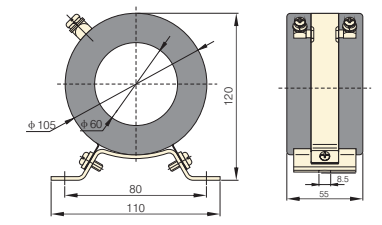

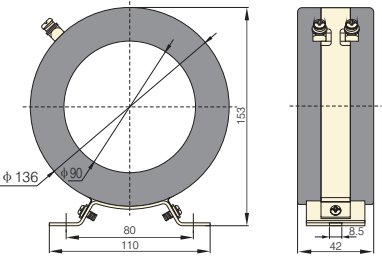

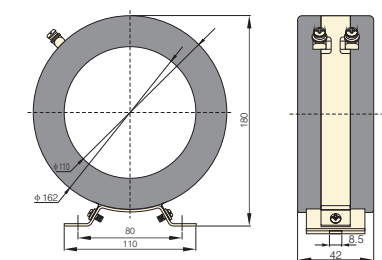

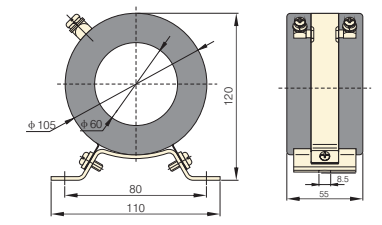

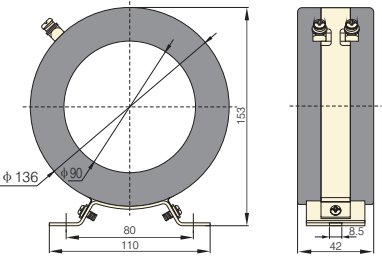

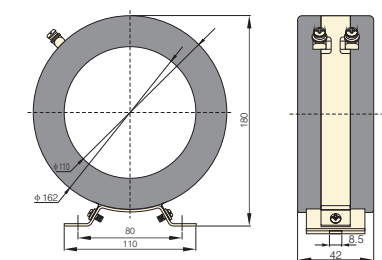

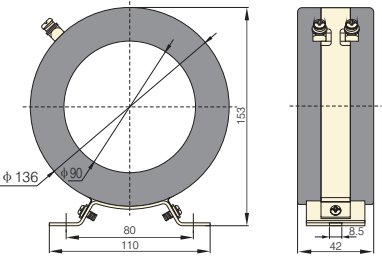

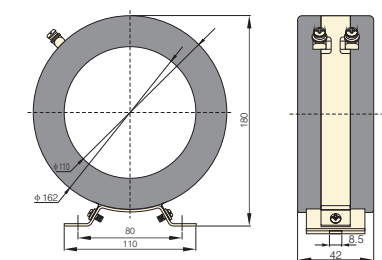

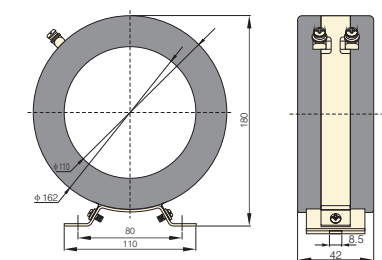
3. Type designation




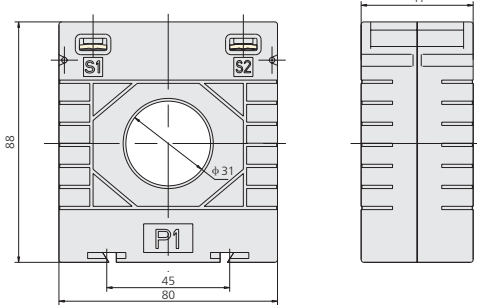

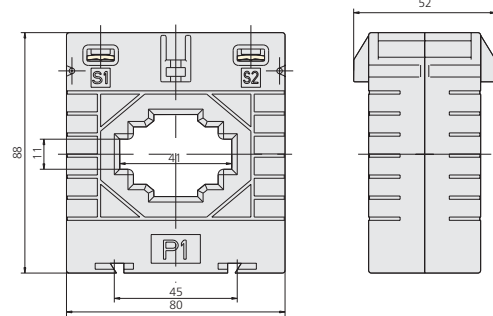

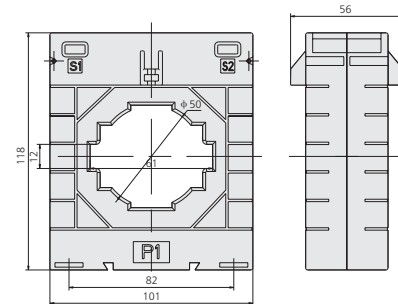

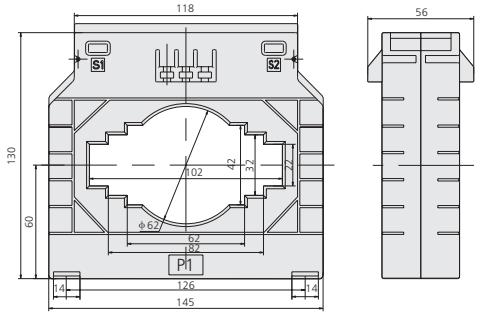

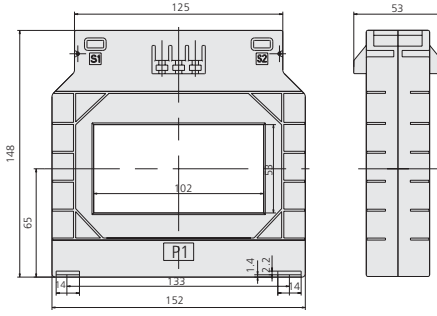
4. Features

- 4.1 The product is characterized by compact design, light weight, etc.
- 4.2 Made of single or several pieces of enameled wire evenly distributed around the core, secondary winding is characterized by good magnetic conductivity capability, low power consumption, small magnetic-flux-leakage and convenient compensation adjustment.
- 4.3 Encapsulated in fire-retardant plastic, the enclosure is characterized by good insulation capacity, high intensity, elegant appearance, light weight, convenient mounting, etc.

5. Technical data

Model	Current ratio (A)	Rated output(VA)		Number of turns through iron core	Overall and installing dimensions (mm)																																																																																																		
		Accuracy class																																																																																																					
		0.5	1																																																																																																				
 RCT-25	75/5	2.5	2.5	1																																																																																																			
	100/5	2.5	2.5	1		 RCT-35	75/5	2.5	2.5	1		100/5	2.5	2.5	1	150/5	5	5	1	200/5	5	5	1	250/5	5	5	1	300/5	5	5	1	 RCT-60	400/5	5	5	1		500/5	10	10	1	600/5	10	10	1	750/5	10	10	1	800/5	10	10	1	1000/5	10	10	1	1200/5	10	10	1	 RCT-90	800/5	10	10	1		1000/5	10	10	1	1200/5	10	10	1	1500/5	10	10	1	1600/5	10	10	1	 RCT-110	1500/5	10	10	1		1600/5	10	10	1	2000/5	20	20	1	2500/5	20	20	1	3000/5	20
 RCT-35	75/5	2.5	2.5	1																																																																																																			
	100/5	2.5	2.5	1																																																																																																			
	150/5	5	5	1																																																																																																			
	200/5	5	5	1																																																																																																			
	250/5	5	5	1																																																																																																			
	300/5	5	5	1		 RCT-60	400/5	5	5	1		500/5	10	10	1	600/5	10	10	1	750/5	10	10	1	800/5	10	10	1	1000/5	10	10	1		1200/5	10	10	1		 RCT-90	800/5	10	10	1		1000/5	10	10	1	1200/5	10	10	1	1500/5	10	10	1	1600/5	10	10	1	 RCT-110	1500/5	10	10	1		1600/5	10	10	1	2000/5	20	20	1	2500/5	20	20	1	3000/5	20	20	1																						
 RCT-60	400/5	5	5	1																																																																																																			
	500/5	10	10	1																																																																																																			
	600/5	10	10	1																																																																																																			
	750/5	10	10	1																																																																																																			
	800/5	10	10	1																																																																																																			
	1000/5	10	10	1																																																																																																			
	1200/5	10	10	1			 RCT-90	800/5	10	10		1		1000/5	10	10	1	1200/5	10	10	1	1500/5	10	10	1	1600/5	10	10	1	 RCT-110	1500/5	10	10	1		1600/5	10	10	1	2000/5	20	20	1	2500/5	20	20	1	3000/5	20	20	1																																																				
	 RCT-90	800/5	10	10		1																																																																																																	
1000/5		10	10	1																																																																																																			
1200/5		10	10	1																																																																																																			
1500/5		10	10	1																																																																																																			
1600/5		10	10	1	 RCT-110	1500/5	10		10	1		1600/5	10	10	1	2000/5	20	20	1	2500/5	20	20	1	3000/5	20	20	1																																																																												
 RCT-110	1500/5	10	10	1																																																																																																			
	1600/5	10	10	1																																																																																																			
	2000/5	20	20	1																																																																																																			
	2500/5	20	20	1																																																																																																			
	3000/5	20	20	1																																																																																																			

5. Technical data

Model	Current rate (A)	Rated load (VA)	Overall and installing dimensions (mm)
		0.5 class	
 MES-30	150/5	5	
	200/5	10	
	250/5	10	
	300/5	10	
	400/5	10	
 MES-40	300/5	5	
	400/5	5	
	500/5	10	
	600/5	10	
 MES-60	600/5	10	
	750/5	10	
	800/5	10	
	1000/5	10	
	1200/5	10	
	1500/5	10	
 MES-100I	500/5	10	
	600/5	10	
	750/5	10	
	800/5	10	
	1000/5	10	
	1200/5	10	
	1500/5	10	
	2000/5	10	
 MES-100II	2000/5	30	
	2500/5	30	
	3000/5	30	
	4000/5	30	





MES Current Transformer

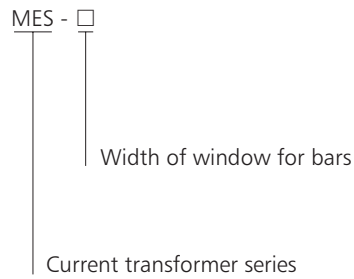
1. Application

- 1.1 Application: to be used in combination with measurement instruments: ammeters, watt-hour meters, measurement units, control relays, etc.

2. Technical data

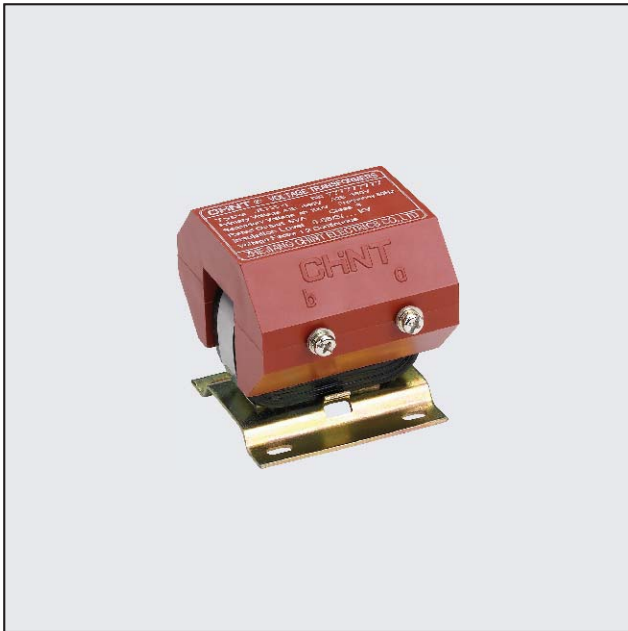
- 2.1 Secondary current I_{sn} : 5A
- 2.2 Rated voltage U_e : 660 V
- 2.3 Frequency: 50/60 Hz
- 2.4 Instrument security factor (FS): 10
- 2.5 Operating temperature: -5°C to $+40^{\circ}\text{C}$, the average value within 24h shall not exceed $+35^{\circ}\text{C}$, humidity $<80\%$.
- 2.6 Standards: IEC 60044-1
- 2.7 Installation type: busbar or plate fixing

3. Type designation



4. Normal working conditions and mounting conditions

- 4.1 Installation site: Indoors.
- 4.2 Ambient temperature: $-5^{\circ}\text{C} \sim 40^{\circ}\text{C}$, temperature $\leq 30^{\circ}\text{C}$.
- 4.3 Ambient humidity: Relative humidity $\leq 80\%$.
- 4.4 Altitude: $\leq 1000\text{m}$.
- 4.5 Atmospheric condition: Be free from severe contamination.



JDZ Voltage Transformer

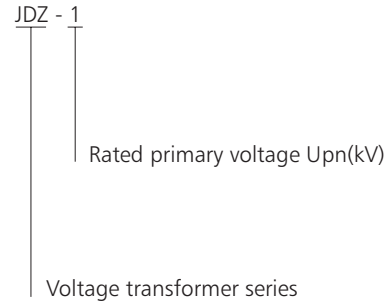
1. Function

1.1 Function: Adopting the value of voltage on the primary to the characteristics of metering or protection devices by supplying a secondary voltage that is proportional and lower;
 Used in combination with measurement instruments: ammeters, watt-hour meters, measurement units, control relays, etc.

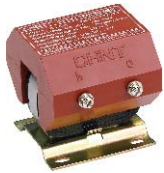
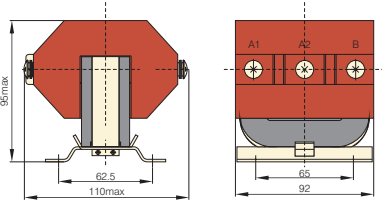
2. Technical data

- 2.1 Rated voltage U_e : 1.14kV
- 2.2 Frequency: 50 Hz
- 2.3 Operating temperature: -5°C to $+40^{\circ}\text{C}$, humidity $<80\%$
- 2.4 Standards: IEC 60044-2

3. Type designation



4. Technical data

Model	Transformation ratio U_{pn}/U_{sn} (V)	Rated output (VA)	Accuracy class	Max. output (VA)	Overall and installing dimensions (mm)
	380-690/100	5	3	30	
	690-1140/100	5	3	30	





JDG4-0.5 Voltage Transformer

1. Function

1.1 Function: Adopting the value of voltage on the primary to the characteristics of metering or protection devices by supplying a secondary voltage that is proportional and lower;
Used in combination with measurement instruments: ammeters, watt-hour meters, measurement units, control relays, etc.

2. Technical data

- 2.1 Rated voltage U_e : 0.5kV
- 2.2 Frequency: 50 Hz
- 2.3 Operating temperature: -5°C to $+40^{\circ}\text{C}$, humidity $<80\%$
- 2.4 Standards: IEC 60044-2


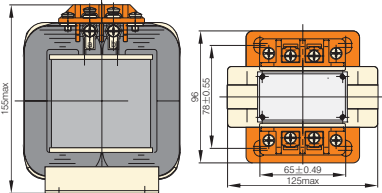
3. Type designation

JDG4 - 0.5

Rated primary voltage U_{pn} (kV)

Voltage transformer series

4. Technical data

Model	Transformation ratio U_{pn}/U_{sn} (V/V)	Rated output (VA)	Accuracy class	Max. output (VA)	Overall and installing dimensions (mm)
	200/100	15	0.5	100	
	220/100	15	0.5	100	
	380/100	15	0.5	100	
	500/100	15	0.5	100	

