

NH40 Switch Disconnecter

1. General

1.1 Application

NH40 series Switch-disconnector is applicable for AC 50Hz, rated voltage AC 690V and below, DC440V and below, rated current up to 3150A. It can be applied for manually infrequent making & breaking and disconnecting of the circuit. Products with Ith under 1000A can be used as load break switch. They provide safety isolation for any Low voltage circuit.

1.2 Standard: IEC/EN60947-3.



2. Type designation

2.1 Ordering information

NH40 - □/□□□□

With "F": terminal protection type (only for 125~250A)
Without "F": without terminal protection

With "W": the handle is operated outside the cabinet
Without "W": the handle is operated inside the cabinet

With "C": front lateral operation
Without "C": front central operation

3 represents three poles: 31 represents three poles with auxiliary, one open and one closed
32 represents three poles with auxiliary, two open and two closed
4 represents four poles: 41 represents four poles with auxiliary, one open and one closed
42 represents four poles with auxiliary, two open and two closed

Thermal current Ith (A)

Series No.

2.2 Technical data



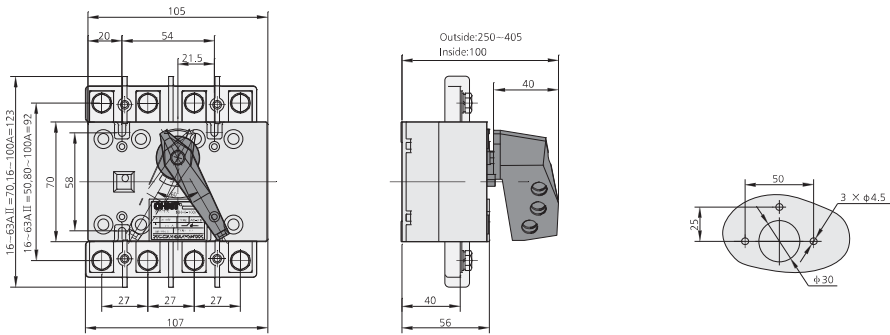
Thermal current Ith (A)	16	32	40	63	80	100	125	160	200	250	315	400	630	
Associated fuse rating (A)	16	32	40	63	80	100	125	160	200	250	315	400	630	
Rated insulation voltage(V) Ui	800													
Rated current (A)	400V AC21B	16	32	40	63	80	100	125	160	200	250	315	400	630
	400V AC22B	-	-	-	-	-	-	125	125	200	250	315	400	630
	400V AC23A	-	-	-	-	-	-	125	160	200	250	315	400	630
	690V AC21B	16	32	40	63	63	63	125	160	200	250	315	400	500
	690V AC22B	-	-	-	-	-	-	100	100	160	160	200	250	315
690V AC23A	-	-	-	-	-	-	50	63	70	80	125	160	200	
Operation force (N)	30~50						40~60			65~100				



Thermal current I _{th} (A)	1000	1250	1600	2000	2500	3150	
Associated fuse rating (A)	1000	1250	2 × 800	2 × 1000	2 × 1250		
Rated insulation voltage(V) U _i	800						
Rated current (A)	400V AC21B	1000	1250	1600	2000	2500	3150
	400V AC22B	1000	1250	1600	2000	2500	3150
	690V AC21B	800	800	1000	1600	1600	2000
	690V AC22B	800	800	800	1000	1000	1250
Operation force (N)	200~300						

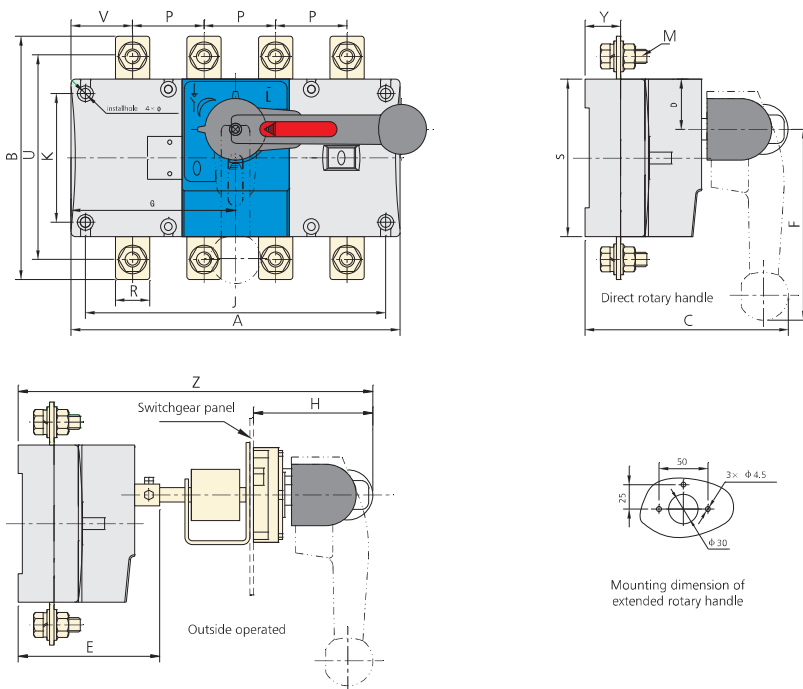
2.3 Handle in the middle position
2.3.1 Overall and mounting dimensions(63A~100A)

NH40-16A~100A



Mounting dimension of externally mounted handle

2.3.2 Overall and mounting dimensions(125A~630A)



Mounting dimension of extended rotary handle

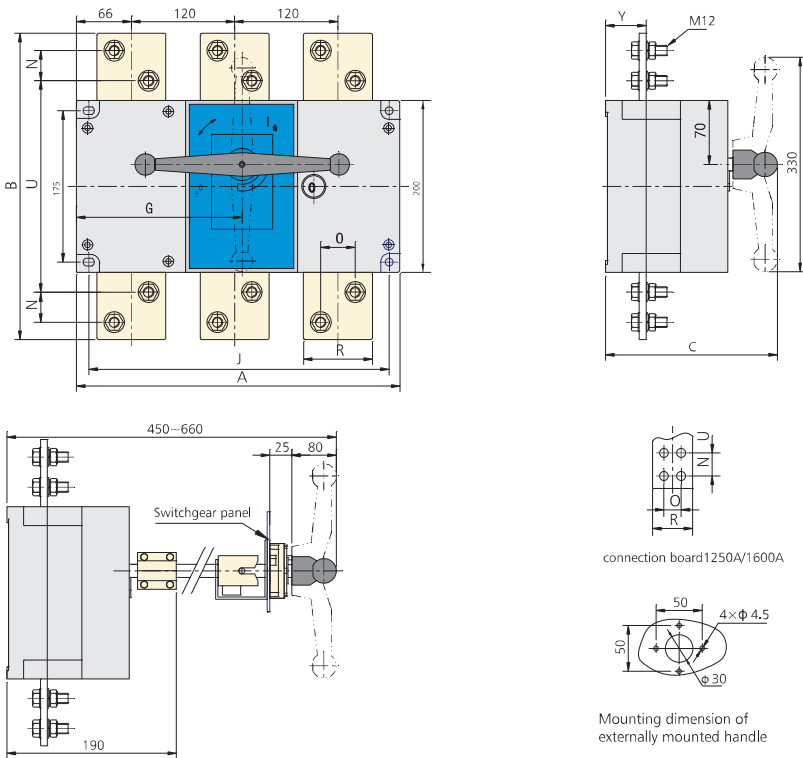


Mounting dimension of NH40 switch disconnector

Specification	NH40-□ NH40-□□/W Overall and mounting dimensions (mm)																		
Current	A	B	C	D	E	F	φ	J	H	K	G	P	R	S	U	M	V	Y	Z
125A/3	140	135	130	27	93	135	5.5	120	85	65	55	36	18	85	115	8	32	24	355~460
160A/3	140	135	130	27	93	135	5.5	120	85	65	55	36	20	85	115	8	33	24	355~460
125A/4	170	135	130	27	93	135	5.5	150	85	65	85	36	18	85	115	8	31	24	355~460
160A/4	170	135	130	27	93	135	5.5	150	85	65	85	36	20	85	115	8	32	24	355~460
200A/3	180	170	145	35	103	135	6.5	160	85	90	60	50	25	110	142	10	44	25	365~470
250A/3	180	170	145	35	103	135	6.5	160	85	90	60	50	25	110	142	10	44	25	365~470
200A/4	230	170	145	35	103	135	6.5	210	85	90	110	50	25	110	142	10	38	25	365~470
250A/4	230	170	145	35	103	135	6.5	210	85	90	110	50	25	110	142	10	38	25	365~470
315A/3	230	240	195	50	135	160	7	210	105	140	84	65	32	160	205	12	53	37	440~555
400A/3	230	240	195	50	135	160	7	210	105	140	84	65	35	160	205	12	50	37	440~555
630A/3	230	260	195	50	135	160	7	210	105	140	84	65	40	160	220	12	53	37	440~555
315A/4	290	240	195	50	135	160	7	270	105	140	144	65	32	160	205	12	48	37	440~555
400A/4	290	240	195	50	135	160	7	270	105	140	144	65	35	160	205	12	45	37	440~555
630A/4	290	260	195	50	135	160	7	270	105	140	144	65	40	160	220	12	48	37	440~555

2.3.3 Overall and mounting dimensions(1000A-1600A)

1000A~1600A with direct rotary handle

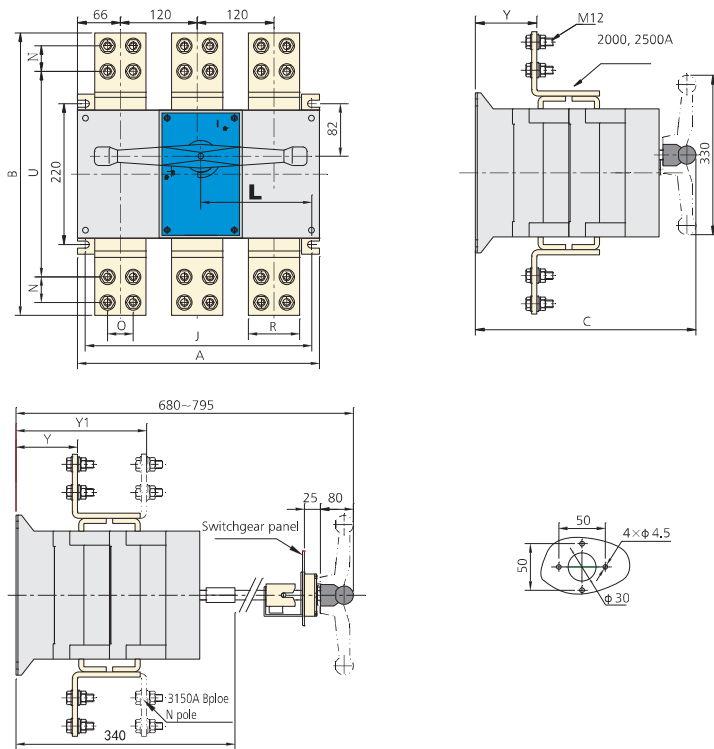


Mounting dimension of NH40 switch disconnecter

Specification	NH40-□□ NH40-□□/W Overall and mounting dimensions (mm)									
	A	B	C	G	J	N	R	O	U	Y
Current										
1000A/3	378	316	240	192.5	353	20	60	35	240	48
1250A/3	378	356	240	192.5	353	35	70	40	246	48
1600A/3	378	356	240	192.5	353	35	80	40	246	48
1000A/4	498	316	240	252.5	473	20	60	35	240	48
1250A/4	498	356	240	252.5	473	35	70	40	246	48
1600A/4	498	356	240	252.5	473	35	80	40	246	48

2.3.4 Overall and mounting dimensions(2000A-3150A)

Operation outside the switchgear Remark:
C is the longest one among outside operation dimensions.



Mounting dimension of NH40 inside operation and NH40 switch disconnecter

Specification	NH40-□□ NH40-□□/W Overall and mounting dimensions (mm)									
	A	B	C	J	L	N	O	R	Y	Y1
Current										
2000A/3	378	450	374	353	173.5	40	40	80	80	-
2500A/3	378	450	374	353	173.5	40	40	80	80	-
3150A/3	378	510	374	353	173.5	50	50	120	80	230
2000A/4	498	450	374	473	235	40	40	80	80	-
2500A/4	498	450	374	473	235	40	40	80	80	-
3150A/4	498	510	374	473	235	50	50	120	80	230



Fuse-Switch Disconnecter

Thermal current	63	125	160	250	400	630	800	1000	1250
HH15/QSA	HH15-63/ QSA	HH15-125/ QSA	HH15-160/ QSA	HH15-250/ QSA	HH15-400/ QSA	HH15-630/ QSA	HH15-800/ QSA	HH15-1000/ QSA	HH15-12500/ QSA
NHR17			NHR17-160	NHR17-250	NHR17-400	NHR17-630			
NHR40			NHR40-160	NHR40-250	NHR40-400	NHR40-630			
NHRT40			NHRT40-160	NHRT40-250	NHRT40-400	NHRT40-630			

