

LG Variable Frequency Drive(VFD) : Inverter

# *Starvert iG5*



0.37 - 4.0kW (0.5 - 5.4HP) 1 and 3 phase 200 - 230 Volts, 3 phase 380 - 460 Volts





## Contents

Overview	02
Features & Selection Guide	04
Specifications & Wiring	06
Terminal Configuration, Keypad & Parameter Navigation	08
Program Parameter Descriptions	10
Dimension	12
DB Resistor, Options & Peripheral Devices	14



***Compact iG5,  
is the best for a small and cost  
effective configuration.***

### ***Standard features***

- kW / Voltage Ratings:
  - 0.5 ~ 2HP, 200-230VAC, 1phase
  - 0.5 ~ 5HP, 200-230VAC, 3phase
  - 0.5 ~ 5HP, 380-460VAC, 3phase
- Enclosure: IP00 ~ IP20
- Inverter Type: PWM with IGBT
- Control Method: Volts / Hertz with Space Vector Technology
- Built-in RS-485
- Built-in ModBus-RTU
- Built-in PID control
- Removable keypad (Able to read & write parameter)
- 150% torque at 0.5Hz
- Trip-free operation algorithm
- 8 preset speeds
- 3 jump(skip) frequencies
- 3 Multifunctional inputs
- 1 Multifunctional output
- Analog output (0~12V)
- PNP and NPN dual directional signals
- Speed search
- 3 wire operation
- 1 to 10 kHz carrier frequency
- Built-in Braking transistor
- Manual/Auto torque boost

### ***Options***

- Cable for Remote Keypad Operations(2,3 and 5 meters)
- DIN rail base for easy installation

### ***Application***

- |                           |                              |
|---------------------------|------------------------------|
| ■ Converting              | ■ Commercial washing machine |
| ■ Fan                     | ■ Grinder                    |
| ■ Pump                    | ■ Textile machine            |
| ■ Food processing machine | ■ Material handling machine  |
| ■ Electric shutter        | ■ Centrifuge                 |
| ■ Dryer                   | ■ Elevator door              |
| ■ Running machine         | ■ Tooling machine            |
| ■ Overheat                |                              |

### ***Conformity to global standards***

- UL and cUL listed for North America
- CE marked for Europe
- Quality process controlled by ISO9001, ISO14000



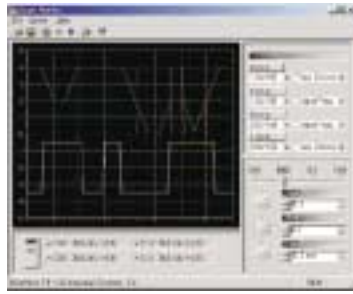
## Reduced size

Enhancing its performance the iG5 shows much smaller size compares to the previous model, the iG series. Maximum 50% of total volume has been reduced in iG5 in order to mount it easily on smaller control panel and DIN rail with less weight. It allows more cost effective panel construction and system design.



## Built-in communication interface and PC monitoring software

The iG5 has built-in the most popular communication interfaces such as Modbus-RTU and RS232/485. The iG5 has the small inverter features and standard medium drive features together. The "Driveview™" software offers Window® based computer monitoring tool through RS485 interface with graphic capture, keypad emulator, parameter edit and text monitor. It is applicable for all LG inverters.



**RS - 485**

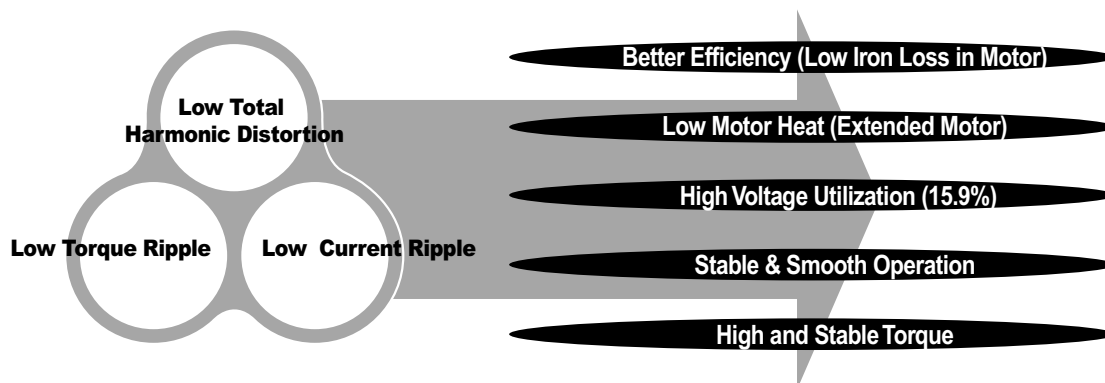
**ModBus-RTU™**

## Built-in PID control

It is valuable in process control. The built-in PID controller controls flow, temperature, pressure, etc. through the proportional, integral and differential calculus between the feedback value and reference value in closed loop.

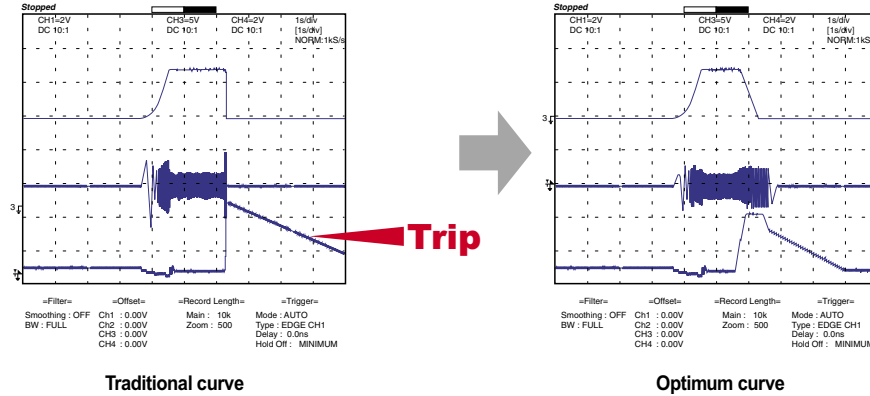
## Space vector PWM technology

The Space vector technology is being adopted in all LG drives. It features outstanding performance in its control characteristics. It has low total harmonic distortion, low current ripple, low torque ripple, low motor temperature rise, and better voltage utilization. It is a basic control platform of the iG5 drive. The advantages of Space vector PWM technology are being proved in many applications.



## Optimum acceleration and deceleration

To achieve a maximum torque during the acceleration and deceleration, "trip free" function is activated. The 32-bit DSP CPU monitors the current transition during the acceleration and deceleration to program an optimum curve that is under the trip-triggering level.



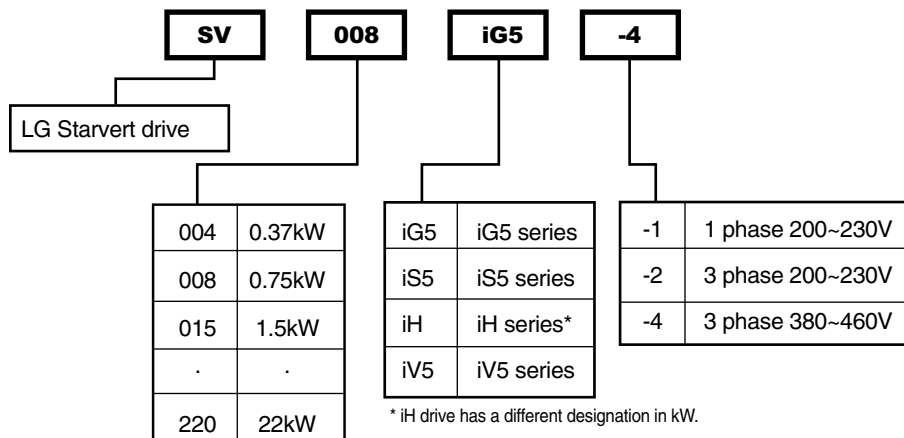
## PNP and NPN switchable duals signals

The iG5 has both PNP and NPN signals in order to controlled by PLC or outside controller. Regardless the type of PLC or type of control signal, iG5 can work with positive 24Vdc and negative 24Vdc.

## Inverter rating selection guide

Application motor		200~230V	200~230V	380~460V
kW	HP	1 phase	3 phase	3 phase
0.37	0.5	SV004iG5-1	SV004iG5-2	SV004iG5-4
0.75	1	SV008iG5-1	SV008iG5-2	SV008iG5-4
1.5	2	SV015iG5-1	SV015iG5-2	SV015iG5-4
2.2	3		SV022iG5-2	SV022iG5-4
3.7	5		SV037iG5-2	SV037iG5-4
4.0	5.4		SV040iG5-2	SV040iG5-4

## Inverter type nomenclature



## Specifications 200 ~230V Class(0.5~ 5.4 HP)

Drive Type (SV_ _ _iG5- )		004-1	008-1	015-1	004-2	008-2	015-2	022-2	037-2	040-2
<b>Motor Rating</b> <sup>1)</sup>	[HP]	0.5	1	2	0.5	1	2	3	5	5.4
	[kW]	0.37	0.75	1.5	0.37	0.75	1.5	2.2	3.7	4
<b>Output ratings</b>	Capacity[kVA] <sup>2)</sup>	1.1	1.9	3	1.1	1.9	3	4.5	6.1	6.5
	FLA[A]	3	5	8	3	5	8	12	16	17
	Frequency					0 ~ 400 Hz <sup>3)</sup> 200 ~ 230V <sup>3)</sup>				
<b>Input ratings</b>	Voltage	1 phase 200 ~ 230 V(±10%)				3 phase 200 ~ 230 V(±10%)				
	Frequency	50 ~ 60 Hz (±5%)				50 ~ 60 Hz (±5%)				
<b>Weight[kg]</b>		1.2	1.8	2.1	1.2	1.2	1.8	2.1	2.2	2.2
<b>Braking torque</b>	Braking circuit					On board				
	Average braking torque					20% (with optional external braking resistor : 100%, 150%)				
	Max. continuous braking time					15 seconds				
<b>Cooling method</b>		Forced air cooling			Natural		Forced air cooling			
	<b>Enclosure</b>	IP00								

## Specifications 380 ~460V Class(0.5~ 5.4 HP)

Drive Type (SV_ _ _iG5- )		004-4	008-4	015-4	022-4	037-4	040-4
<b>Motor Rating</b> <sup>1)</sup>	[HP]	0.5	1	2	3	5	5.4
	[kW]	0.37	0.75	1.5	2.2	3.7	4
<b>Output ratings</b>	Capacity[kVA] <sup>2)</sup>	1.1	1.9	3	4.5	6.1	6.5
	FLA[A]	1.1	2.5	4	6	8	9
	Frequency	0 ~ 400 Hz <sup>3)</sup> 380 ~ 460V <sup>3)</sup>					
<b>Input ratings</b>	Voltage	3 phase 380 ~ 460 V(±10%)					
	Frequency	50 ~ 60 Hz (±5%)					
<b>Weight[kg]</b>	Weight [kg]	1.7	1.7	1.8	2.1	2.2	2.2
<b>Braking torque</b>	Braking circuit	On board					
	Average braking torque	20% (with optional external braking resistor : 100%, 150%)					
	Max. continuous braking time	15 seconds					
<b>Cooling method</b>		Forced air cooling					
	<b>Enclosure</b>	IP00					

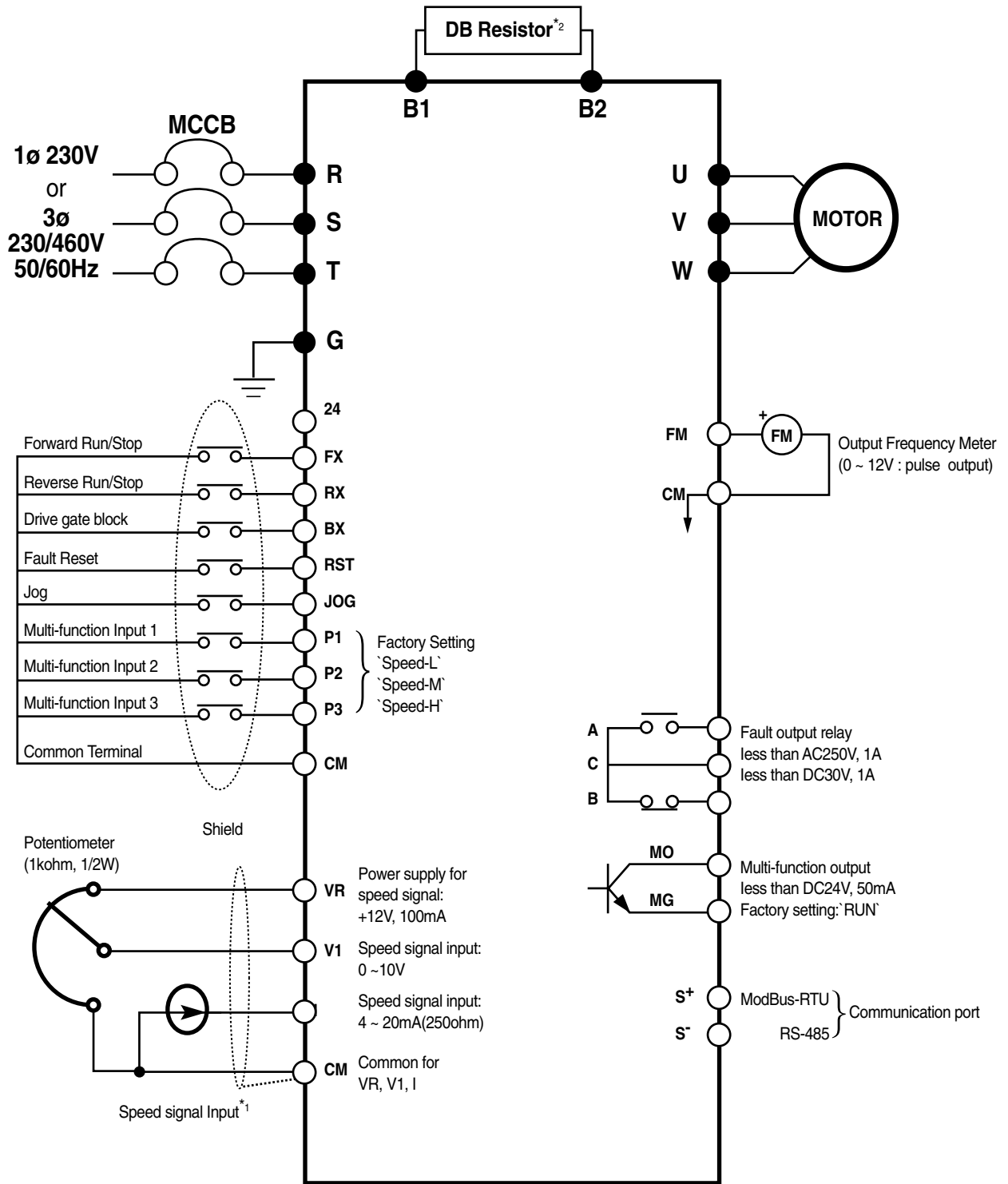
\*1) Indicates the maximum applicable capacity when using 4 pole LG standard motor.

\*2) Rated capacity (√3V<sup>1)</sup>) is based on 220V for 200V class and 440V for 400V class.

\*3) Maximum output voltage will not be greater than the input voltage. Output voltage less than the input voltage can be set.

<b>Control</b>	Control method	V/F control	
	Frequency setting resolution	Digital reference : 0.01 Hz (below 100 Hz), 0.1 Hz (over 100 Hz)    Analog reference : 0.03 Hz / 50 Hz	
	Frequency accuracy	Digital : 0.01% of max. output frequency    Analog : 0.1% of max. output frequency	
	V/F ratio	Linear, Square pattern, User V/F	
	Overload capacity	150 % of rated current for 1 min., 200% of rated current for 0.5 sec. (characteristic is inversely proportional to time)	
	Torque boost	Manual torque boost (0 ~ 15 %), Auto torque boost	
<b>Operation</b>	Operation method	Keypad / terminal / communication operation	
	Frequency setting	Analog : 0 ~ 10V / 4 ~ 20 mA    Digital : keypad	
	Start signal	Forward, Reverse	
	Multi-step	Up to 8 speeds can be set (use multi-function terminal)	
	Multi-step accel/decel time	0 ~ 6,000 sec, up to 8 types can be set and selected for each setting (use the multi- function terminal), Accel/Decel pattern : linear pattern, U pattern, S pattern, Optimum, Minimum	
	Emergency stop	Interrupts the output of the drive	
	Jog	Jog operation	
	Fault reset	Resets fault when protective function is active	
	Operation status	Frequency level detection, Overload alarm, stalling, overvoltage, undervoltage, drive overheating, running, stop, constant speed, speed searching	
	Fault output	Contact output (30A,30C,30B) - AC250V 1A, DC30V 1A	
Indicator	Choose 1 from output frequency, output current, output voltage, DC voltage (Output pulse: 500Hz, Output voltage: 0 ~ 10V)		
<b>Operation function</b>	DC braking, frequency limit, frequency jump, second function, slip compensation, reverse rotation prevention, auto restart, PID control		
<b>Protective function</b>	Drive trip	Overvoltage, undervoltage, overcurrent, drive overheating, motor over heating, input/output phase loss, input/output mis-wiring, overload protection, communication error, loss of speed command, hardware fault.	
	Inverter alarm	Stall prevention, overload alarm	
	Momentary power loss	Less than 15 msec : continuous operation, more than 15 msec : auto restart possible	
<b>Display Keypad</b>	Operation information	Output frequency, output current, output voltage, frequency value setting, operating speed, DC voltage	
	Trip information	Indicates the fault when the protection function activates, memorizes up to 5 faults	
<b>Environment</b>	Ambient temperature	-10 °C ~ 40 °C	
	Storage temperature	-20 °C ~ 65 °C	
	Ambient humidity	90 % RH max.(Non condensing)	
	Altitude . Vibration	Below 1,000 m · below 5.9m/sec <sup>2</sup> (=0.6g)	
	Application site	No corrosive gas, combustible gas, oil mist, or dust	

Wiring



Note) "●" display main circuit terminals, "○" display control circuit terminals.  
 1. Analog speed command can be set by Voltage, Current and both of them.  
 2. DB resistor is optional.

## Power terminal configuration

Symbol	Function
<b>R S T U V W</b>	AC Line input (1 phase 200~230 Vac for "-1" units 3 phase, 200~230 Vac for "-2" units and 380~460 Vac for "-4" units)
<b>B1 B2</b>	3 phase output terminals to motor
<b>B1 B2</b>	External additional dynamic braking resistor connection terminals.
<b>G</b>	Chassis ground (The ground terminal("G") may be located on heat sink instead of terminal strip depend on the model name)

## Control terminal configuration

Type	Symbol	Name	Description
Input signal	<b>Starting Contact Function Slection</b>	<b>P1, P2, P3</b>	Multi function input 1,2,3 Used for multi function input. Factory default is set to step frequency 1, 2, 3.
		<b>FX</b>	Forward run command Forward run when closed and stop when opened.
		<b>RX</b>	Reverse run command Reverse run when closed and stop when opened.
		<b>JOG</b>	Jog frequency reference Runs at jog frequency when the jog signal is on. The direction is set by the FX (or RX) signal.
		<b>BX</b>	Drive gate block When the BX signal is ON, the output of the drive is cut off. When the motor uses an mechanical brake to stop, BX is used to cut off the output signal. When the BX signal, which does not cut off by latching, is OFF and the FX signal (or the RX signal) is ON, the motor keeps running, so be cautious.
	<b>Analog Frequency Setting</b>	<b>RST</b>	Fault reset Used to release the protective status when the protective circuit is active.
		<b>CM</b>	Sequence common Used for the common terminal for contact input terminals.
		<b>VR</b>	Frequency setting power(+12V) Used as power for the analog frequency setting. Maximum output is +12V, 100mA.
		<b>V1</b>	Frequency reference (Voltage) Used for frequency reference and uses 0-10V for input. Input resistance is 20 k
		<b>I</b>	Frequency reference(Current) Used for frequency reference and uses DC 4-20mA for input. Input resistance is 250
Output signal	<b>Pulse</b>	<b>FM·CM</b>	Analog/digital output (For external monitoring) Outputs one of the followings: output frequency, output current, output voltage, DC link voltage. Factory default is set to output frequency. Maximum output voltage and output current is 0-12V, 1mA. Output frequency is set to 500Hz.
		<b>30A, 30C, 30B</b>	Fault contact output Activates when the protective function is operating. AC250V 1A or less, DC30V 1A or less Fault : 30A-30C short (30B-30C open) Normal : 30A-30C short (30B-30C open)
	<b>Contact</b>	<b>MO·MG</b>	Multi-function output (Open collector output) Used for multi-function output
		<b>RS232</b>	<b>S+, S-</b>

## Keypad



Class	Display	Name	Description
KEY	<b>FUNC</b>	Program key	Press to change the parameter setting.
	<b>▲ UP</b>	Up key	Press to move through codes or to increase the parameter values.
	<b>▼ DOWN</b>	Down key	Press to move through codes or to decrease the parameter values.
	<b>RUN</b>	Run key	Use to operate the drive
	<b>STOP/RESET</b>	STOP/RESET key	Press to stop during operation. Press to reset when a fault has occurred.
LED	<b>REV</b>	Reverse run	During reverse run.
	<b>FWD</b>	Forward run	During forward run.
	<b>SET</b>	Setting	When the user is setting the parameters using the FUNC key
	<b>RUN</b>	Operating	When in constant speed and blinks when accelerating or decelerating.

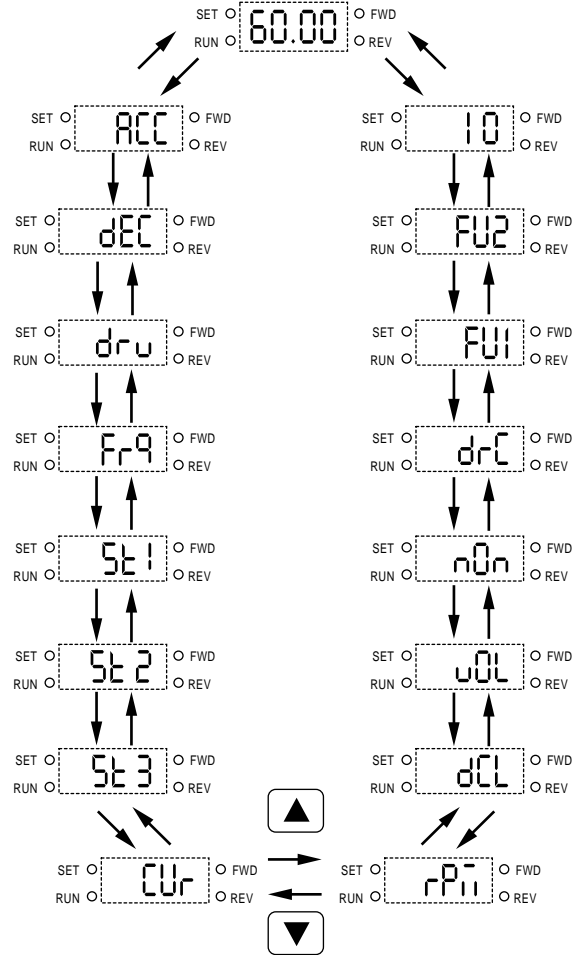
## Parameter group

Group name	Description
<b>Drive Group</b>	Basic paramaters of Command frequency, Accel/Decel time etc.
<b>Function 1 Group</b>	Basic parameters of Max. Frequency, Torque boost etc.
<b>Function 2 Group</b>	Application parameters of Frequency jump, Frequency limit etc.
<b>Input / Output Group</b>	Multifunction terminal setting and Sequence operation parameters

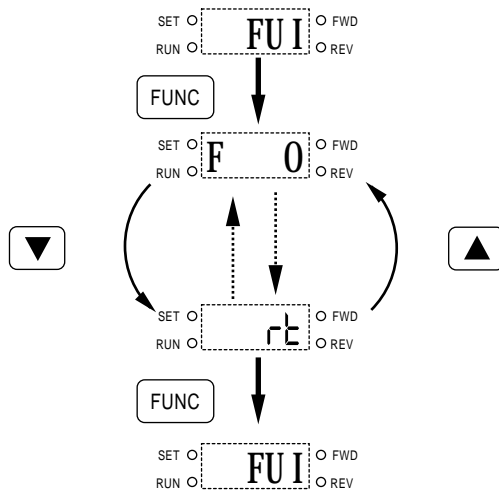


## Parameter navigation

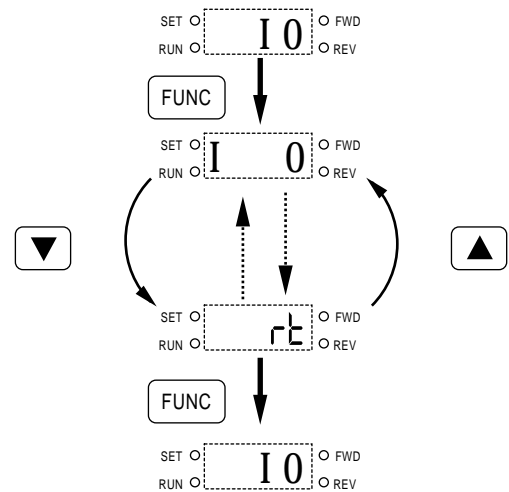
### 1. Drive Group



### 2. Function Group



### 3. I/O Group



# Program parameter descriptions

## 1. Drive Group [DRV]

Code	Description	Keypad Display	Setting Range	Units	Factory Default	Adjustable during run
<b>DRV-00</b>	Output Frequency during running, Reference Frequency during stop	0.00	0 to Max. Freq. (FU1-20)	0.01	60.00 [Hz]*	Yes
<b>DRV-01</b>	Acceleration Time	ACC	0 to 6000 [sec]	0.1	10.0 [sec]	Yes
<b>DRV-02</b>	Deceleration Time	dEC	0 to 6000 [sec]	0.1	10.0 [sec]	Yes
<b>DRV-03</b>	Drive Mode (Run/Stop method)	d-r-u	0 (Keypad) 1 (Keypad-2) 2 (Fx/Rx-2) 3 (ModBus-RTU)	-	1	No
<b>DRV-04</b>	Frequency Mode (Freq. setting method)	F-r-9	0 [Keypad-1] 1 (Keypad-2) 2 (V1) 3 (I) 4 (V1+I) 5 (ModBus-RTU)	-	0	No
<b>DRV-05</b>	Step Frequency 1	St 1	Starting freq (FU1-22) to Max. freq (FU1-20)	0.01	10.00 [Hz]	Yes
<b>DRV-06</b>	Step Frequency 2	St 2		0.01	20.00 [Hz]	
<b>DRV-07</b>	Step Frequency 3	St 3		0.01	30.00 [Hz]	
<b>DRV-08</b>	Output Current	dU-r	* [A]	-	- [A]	-
<b>DRV-09</b>	Motor Speed	rP-r	* [rpm]	-	- [rpm]	-
<b>DRV-10</b>	DC link Voltage	dCL	* [V]	-	- [V]	-
<b>DRV-11</b>	User Display selection	uOL, POr, tOr	Selected in FU2-73 (User disp)	-	-	-
<b>DRV-12</b>	Fault Display	nOn	-	-	nOn	-
<b>DRV-13</b>	Motor Direction set	d-r-C	F (Forward) r (Reverse)	-	F	Yes
<b>DRV-20</b>	FU1 Group selection	FU1				
<b>DRV-21</b>	FU2 Group selection	FU2				
<b>DRV-22</b>	I/O Group selection	I O				

## 2. Function Group1[FU1]

<b>FU1-00</b>	Jump to desired code #	F0	1 to 99	1	3	Yes
<b>FU1-03</b>	Run Prevention	F3	0 (None) 1 (Forward Prev) 2 (Reverse Prev)		0	No
<b>FU1-05</b>	Acceleration Pattern	F5	0 (Linear) 1 (S-curve) 2 (U-curve) 3 (Minimum) 4 (Optimum)		0	No
<b>FU1-06</b>	Deceleration Pattern	F6	0 (Linear) 1 (S-curve) 2 (U-curve) 3 (Minimum) 4 (Optimum)		0	No
<b>FU1-07</b>	Stop Mode	F7	0 (Decel) 1 (DC-brake) 2 (Free-run)		0	No
<b>FU1-08</b>	DC Injection Braking Frequency	F8	FU1-22 to 50 [Hz]	0.01	5.00 [Hz]	No
<b>FU1-09</b>	DC Injection Braking On-delay Time	F9	0 to 60 [sec]	0.01	0.5 [sec]	No
<b>FU1-10</b>	DC Injection Braking Voltage	F10	0 to 200 [%]	1	50 [%]	No
<b>FU1-11</b>	Starting DC Injection Braking Time	F11	0 to 60 [sec]	0.1	1.0 [sec]	No
<b>FU1-12</b>	Starting DC Injection Braking Voltage	F12	0 to 200 [%]	1	50 [%]	No
<b>FU1-13</b>	Starting DC Injection Braking Time	F13	0 to 60 [sec]	0.1	0.0 [sec]	No
<b>FU1-20</b>	Maximum Frequency	F20	40 to 400 [Hz]	0.01	60.00 [Hz]*	No
<b>FU1-21</b>	Base Frequency	F21	30 to FU1-20	0.01	60.00 [Hz]*	No
<b>FU1-22</b>	Starting Frequency	F22	0.1 to 10 [Hz]	0.01	0.50 [Hz]	No
<b>FU1-23</b>	Frequency Limit selection	F23	0 (No) 1 (Yes)	-		No
<b>FU1-24</b>	Low Limit Frequency	F24	FU1-22 to FU1-25	0.01	0.50 [Hz]	No
<b>FU1-25</b>	High Limit Frequency	F25	FU1-24 to FU1-20	0.01	60.00 [Hz]*	No
<b>FU1-26</b>	Manual/Auto Torque Boost selection	F26	0 (Manual) 1 (Auto)	-	0	No
<b>FU1-27</b>	Torque Boost in Forward Direction	F27	0 to 15 [%]	0.1	5.0 [%]	No
<b>FU1-28</b>	Torque Boost in Reverse Direction	F28	0 to 15 [%]	0.1	5.0 [%]	No
<b>FU1-29</b>	Volts/Hz Pattern	F29	0 (Linear) 1 (Square) 2 (User V/F)	-	0	No
<b>FU1-30</b>	User V/F - Frequency 1	F30	0 to FU1-32	0.01	15.00 [Hz]*	No
<b>FU1-31</b>	User V/F - Voltage 1	F31	0 to 100 [%]	1	25 [%]	No
<b>FU1-32</b>	User V/F - Frequency 2	F32	FU1-30 to FU1-20	0.01	30.00 [Hz]*	No
<b>FU1-33</b>	User V/F - Voltage 2	F33	0 to 100 [%]	1	50 [%]	No
<b>FU1-34</b>	User V/F - Frequency 3	F34	FU1-32 to FU1-20	0.01	45.00 [Hz]*	No
<b>FU1-35</b>	User V/F - Voltage 3	F35	0 to 100 [%]	1	75 [%]	No
<b>FU1-36</b>	User V/F - Frequency 4	F36	FU1-34 to FU1-20	0.01	60.00 [Hz]*	No
<b>FU1-37</b>	User V/F - Voltage 4	F37	0 to 100 [%]	1	100 [%]	No
<b>FU1-38</b>	Output Voltage Adjustment	F38	40 to 110 [%]	0.1	100[%]	No
<b>FU1-39</b>	Energy Save Level	F39	0 to 30 [%]	1	0 [%]	Yes
<b>FU1-50</b>	Electronic Thermal selection	F50	0 (No) 1 (Yes)	-	0	Yes
<b>FU1-51</b>	Electronic Thermal Level for 1 minute	F51	FU1-52 to 150 [%]	1	150 [%]	Yes
<b>FU1-52</b>	Electronic Thermal Level for continuous	F52	50 to FU1-51	1	150 [%]	Yes
<b>FU1-53</b>	Electronic Thermal Characteristic selection (Motor type)	F53	0 (Self-cool) 1 (Forced-cool)	-	0	Yes

# Program Parameter Descriptions

Code	Description	Keypad Display	Setting Range	Units	Factory Default	Adjustable during run
<b>FU1-54</b>	Overload Warning Level	F54	30 to 150 [%]	1	150 [%]	Yes
<b>FU1-55</b>	Overload Warning Hold Time	F55	0 to 30 [sec]	0.1	10.0 [sec]	Yes
<b>FU1-56</b>	Overload Trip selection	F56	0 (No) 1 (Yes)	-	1	Yes
<b>FU1-57</b>	Overload Trip level	F57	30 to 200 [%]	1	180 [%]	Yes
<b>FU1-58</b>	Overload Trip Delay Time	F58	0 to 60 [sec]	1	60.0 [sec]	
<b>FU1-59</b>	Stall Prevention Mode selection	F59	000 - 111 (bit set) Bit 0: during Accel. Bit 1: during Steady speed Bit 2: during Decel.	bit	000	No
<b>FU1-60</b>	Stall Prevention Level	F60	30 to 150 [%]	1	150 [%]	No
<b>FU1-99</b>	Return Code	rt		-	-	-

## 3. Function Group2 [FU2]

<b>FU2-00</b>	Jump to desired code #	H 0	1 to 99	1	30	Yes
<b>FU2-01</b> <input type="checkbox"/>	Previous Fault History 1	H 1	-	-	0	Yes
<b>FU2-02</b> <input type="checkbox"/>	Previous Fault History 2	H 2			nOn	Yes
<b>FU2-03</b> <input type="checkbox"/>	Previous Fault History 3	H 3			nOn	
<b>FU2-04</b> <input type="checkbox"/>	Previous Fault History 4	H 4			nOn	Yes
<b>FU2-05</b> <input type="checkbox"/>	Previous Fault History 5	H 5			nOn	
<b>FU2-06</b> <input type="checkbox"/>	Erase Fault History	H 6	0 (No) 1 (Yes)	-	0	Yes
<b>FU2-07</b> <input type="checkbox"/>	Dwell Frequency	H 7	0 to FU1-20	0.01	5.00 [Hz]	No
<b>FU2-08</b> <input type="checkbox"/>	Dwell Time	H 8	0 to 10 [sec]	0.1	0.0 [sec]	No
<b>FU2-10</b> <input type="checkbox"/>	Frequency Jump selection	H 10	0 (No) 1 (Yes)	-	0	No
<b>FU2-11</b> <input type="checkbox"/>	Jump Frequency 1 Low	H 11	FU1-22 to FU2-12	0.01	0.00 [Hz]	No
<b>FU2-12</b> <input type="checkbox"/>	Jump Frequency 1 High	H 12	FU1-11 to FU2-20	0.01	0.00 [Hz]	No
<b>FU2-13</b> <input type="checkbox"/>	Jump Frequency 2 Low	H 13	FU1-22 to FU2-14	0.01	0.00 [Hz]	No
<b>FU2-14</b> <input type="checkbox"/>	Jump Frequency 2 High	H 14	FU2-13 to FU1-20	0.01	0.00 [Hz]	No
<b>FU2-15</b> <input type="checkbox"/>	Jump Frequency 3 Low	H 15	FU1-22 to FU2-16	0.01	0.00 [Hz]	No
<b>FU2-16</b> <input type="checkbox"/>	Jump Frequency 3 High	H 16	FU2-15 to FU1-20	0.01	0.00 [Hz]	No
<b>FU2-19</b> <input type="checkbox"/>	Input/Output Phase Loss Protection	H 19	00 - 11 (bit set) Bit 0: Output phase loss protection Bit 1: Input phase loss protection	-	00	Yes
<b>FU2-20</b> <input type="checkbox"/>	Power ON Start selection	H 20	0 (No) 1 (Yes)	-	0	Yes
<b>FU2-21</b>	Restart after Fault Reset	H 21	0 (No) 1 (Yes)	-	0	Yes
<b>FU2-22</b> <input type="checkbox"/>	Speed Search selection	H 22	0000 - 1111 (bit set) Bit 0: during Accel. Bit 1: after fault reset Bit 2: after instant power failure restart Bit 3: when FU2-20 is set to 1 (Yes).	-	0000	No
<b>FU2-23</b> <input type="checkbox"/>	Current Limit Level during Speed Search	H 23	80 to 200 [%]	1	100 [%]	Yes
<b>FU2-24</b>	P Gain during Speed Search	H 24	0 to 9999	1	100	Yes
<b>FU2-25</b> <input type="checkbox"/>	I Gain during speed search	H 25	0 to 9999	1	1000	Yes
<b>FU2-26</b> <input type="checkbox"/>	Number of Auto Restart Attempt	H 26	0 to 10	1	0	Yes
<b>FU2-27</b> <input type="checkbox"/>	Delay Time before Auto Restart	H 27	0 to 60 [sec]	0.1	1.0 [sec]	Yes
<b>FU2-30</b> <input type="checkbox"/>	Rated Motor selection	H 30	0.4 (0.37kW) 0.8 (0.75kW) 1.5 (1.5kW) 2.2 (2.2kW)	-		No
<b>FU2-31</b> <input type="checkbox"/>	Number of Motor Poles	H 31	2 to 12	1	4	No
<b>FU2-32</b> <input type="checkbox"/>	Rated Motor Slip	H 32	0 to 10 [Hz]	0.01		No
<b>FU2-33</b> <input type="checkbox"/>	Rated Motor Current in RMS	H 33	0.1 to 99.9 [A]	1		No
<b>FU2-34</b> <input type="checkbox"/>	No Load Motor Current in RMS	H 34	0.1 to 99.9 [A]	1		No
<b>FU2-36</b> <input type="checkbox"/>	Motor Efficiency	H 36	50 to 100 [%]	1		No
<b>FU2-37</b> <input type="checkbox"/>	Load Inertia	H 37	0 to 2	1	0	No
<b>FU2-39</b> <input type="checkbox"/>	Carrier Frequency	H 39	1 to 10 [kHz]	1	3 kHz	Yes
<b>FU2-40</b> <input type="checkbox"/>	Control Mode selection	H 40	0 (V/F) 1 (Slip Compen) 2 (PID)	-	0	No
<b>FU2-50</b> <input type="checkbox"/>	PID Feedback Signal selection	H 50	0 (I) 1 (V1)	-	0	No
<b>FU2-51</b> <input type="checkbox"/>	P Gain for PID Control	H 51	0 to 9999	1	3000	Yes
<b>FU2-52</b> <input type="checkbox"/>	I Gain for PID Control	H 52	0 to 9999	1	300	Yes
<b>FU2-53</b> <input type="checkbox"/>	D Gain for PID Control	H 53	0 to 9999	1	0	Yes
<b>FU2-54</b> <input type="checkbox"/>	Limit Frequency for PID Control	H 54	0 to FU1-20	0.01	60.00 [Hz]*	Yes
<b>FU2-70</b>	Reference Frequency for Accel and Decel	H 70	0 (Max Freq) 1 (Delta Freq)	-	0	No
<b>FU2-71</b> <input type="checkbox"/>	Accel/Decel Time Scale	H 71	0 (0.01 sec) 1 (0.1 sec) 2 (1 sec)	-	1	Yes
<b>FU2-72</b>	Power On Display	H 72	0 (Cmd. Freq) 1 (Acc. Time) 2 (Dec. Time) 3 (Drv mode) 4 (Freq mode) 5 (Step Freq 1) 6 (Step Freq 2) 7 (Step Freq 3) 8 (Current) 9 (Speed) 10 (DC link Vtg) 11 (User disp) 12 (Fault Display) 13 (Motor direction)	1	0	Yes

Code	Description	Keypad Display	Setting Range	Units	Factory Default	Adjustable during run
<b>FU2-73</b> <input type="checkbox"/>	User Display selection	H73	0 (Voltage) 1 (Watt) 2 (Torque)	-	0	Yes
<b>FU2-74</b> <input type="checkbox"/>	Gain for Motor Speed Display	H74	1 to 1000 [%]	1	100 [%]	Yes
<b>FU2-75</b> <input type="checkbox"/>	DB(Dynamic Braking)Resistor Mode selection	H75	0 [None] 1 [None] 2 (Ext.DB-R)	-	0	Yes
<b>FU2-76</b> <input type="checkbox"/>	Duty of Dynamic Braking Resistor	H76	0 to 30 [%]	1	10 [%]	Yes
<b>FU2-79</b> <input type="checkbox"/>	Software Version	H79	-	-	<input type="checkbox"/> <input type="checkbox"/> E	-
<b>FU2-81</b> <input type="checkbox"/>	2nd Acceleration Time	H81	0 to 6000 [sec]	0.1	5.0 [sec]	Yes
<b>FU2-82</b> <input type="checkbox"/>	2nd Deceleration Time	H82	0 to 6000 [sec]	0.1	10.0 [sec]	Yes
<b>FU2-83</b> <input type="checkbox"/>	2nd Base Frequency	H83	30 to FU1-20	0.01	60.00 [Hz]*	No
<b>FU2-84</b> <input type="checkbox"/>	2nd V/F Pattern	H84	0 (Linear) 1 (Square) 2 (User V/F)	-	0	No
<b>FU2-85</b> <input type="checkbox"/>	2nd Forward Torque Boost	H85	0 to 15 [%]	0.1	5.0 [%]	No
<b>FU2-86</b> <input type="checkbox"/>	2nd Reverse Torque Boost	H86	0 to 15 [%]	0.1	5.0 [%]	No
<b>FU2-87</b> <input type="checkbox"/>	2nd Stall Prevention Level	H87	30 to 150 [%]	1	150 [%]	No
<b>FU2-88</b> <input type="checkbox"/>	2nd Electronic Thermal Level for 1 minute	H88	FU2-89 to 150 [%]	1	150 [%]	Yes
<b>FU2-89</b> <input type="checkbox"/>	2nd Electronic Thermal Level for continuous	H89	50 to FU2-88(maximum 150%)	1	100 [%]	Yes
<b>FU2-90</b> <input type="checkbox"/>	2nd Rated Motor Current	H90	0.1 to 99.9 [A]	0.1	1.8 [A]	No
<b>FU2-91</b> <input type="checkbox"/>	Read Parameters into Keypad from Inverter	H91	0 (No) 1 (Yes)	-	0	No
<b>FU2-92</b> <input type="checkbox"/>	Write Parameters to Inverter from Keypad	H92	0 (No) 1 (Yes)	-	0	No
<b>FU2-93</b> <input type="checkbox"/>	Initialize Parameter	H93	0 (No) 1 (All Groups) 2 (DRV) 3 (FU1) 4 (FU2) 5 (I/O)	-	0	No
<b>FU2-94</b> <input type="checkbox"/>	Parameter Write Protection	H94	0 to 255	1	0	Yes
<b>FU2-99</b> <input type="checkbox"/>	Return Code	rE	-	-	1	Yes

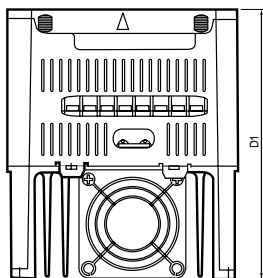
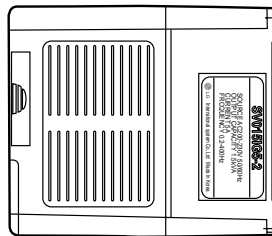
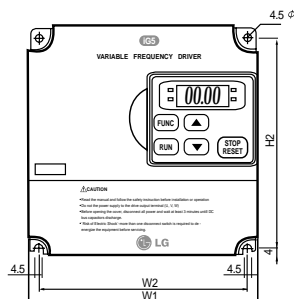
## 4.Input / Output Group [I/O]

Code	Description	Keypad Display	Setting Range	Units	Factory Default	Adjustable during run
<b>I/O-00</b> <input type="checkbox"/>	Jump to desired code #	I 0	1 to 99	1	1	Yes
<b>I/O-01</b> <input type="checkbox"/>	Filtering Time Constant for V1 Signal Input	I 1	0 to 9999 [ms]	1	1,000 [ms]	Yes
<b>I/O-02</b> <input type="checkbox"/>	V1 Input Minimum Voltage	I 2	0 to I/O-04	0.01	0.00 [V]	Yes
<b>I/O-03</b> <input type="checkbox"/>	Frequency corresponding to V1 Input Minimum Voltage	I 3	0 to FU1-20	0.01	0.00 [Hz]	Yes
<b>I/O-04</b> <input type="checkbox"/>	V1 Input Maximum Voltage	I 4	I/O-02 to 10 [V]	0.01	10.00 [V]	Yes
<b>I/O-05</b> <input type="checkbox"/>	Frequency corresponding to V1 Input Maximum Voltage	I 5	0 to FU1-20	0.01	60.00 [Hz]*	Yes
<b>I/O-06</b> <input type="checkbox"/>	Filtering Time Constant for I Signal Input	I 6	0 to 9999 [ms]	1	1,000 [ms]	Yes
<b>I/O-07</b> <input type="checkbox"/>	I Input Minimum Current	I 7	0 to I/O-09	0.01	4.00 [mA]	Yes
<b>I/O-08</b> <input type="checkbox"/>	Frequency corresponding to I Input Minimum Current	I 8	0 to FU1-20	0.01	0.00 [Hz]	Yes
<b>I/O-09</b> <input type="checkbox"/>	I Input Maximum Current	I 9	I/O-07 to 20 [mA]	0.01	20.00 [mA]	Yes
<b>I/O-10</b> <input type="checkbox"/>	Frequency corresponding to I Input Maximum Current	I 10	0 to FU1-20	0.01	60.00 [Hz]*	Yes
<b>I/O-11</b> <input type="checkbox"/>	Criteria for Analog Input Signal Loss	I 11	0 (None) 1 (Half of x1) 2 (Below x1)	-	0	Yes
<b>I/O-12</b> <input type="checkbox"/>	Multi-function Input Terminal 'P1' define 8,9, 15, 20, 21, 22, 23, 24, 25, 26(-Reserved-)	I 12	0 (Speed-L) 1 (Speed-M) 2 (Speed-H) 3 (XCEL-L) 4 (XCEL-M) 5 (XCEL-H) 6 (Dc-brake) 7 (2nd Func) 10 (Up) 11 (Down) 12 (3-Wire) 13 (Ext trip-A) 14 (Ext trip-B) 16 (Open-loop) 17 (Main-drive) 18 (Analog hold) 19 (XCEL stop)	-	0	No
<b>I/O-13</b> <input type="checkbox"/>	Multi-function Input Terminal 'P2' define	I 13	Same as above	-	1	No
<b>I/O-14</b> <input type="checkbox"/>	Multi-function Input Terminal 'P3' define	I 14	Same as above	-	2	No
<b>I/O-15</b> <input type="checkbox"/>	Terminal Input Status	I 15	00000000 - 11111111 (bit set)	-	-	-
<b>I/O-16</b> <input type="checkbox"/>	Terminal Output Status	I 16	0 - 1 (bit set)	-	-	-
<b>I/O-17</b> <input type="checkbox"/>	Filtering Time Constant for Multi-function Input Terminals	I 17	2 to 50	1	15	Yes
<b>I/O-20</b> <input type="checkbox"/>	Jog Frequency setting	I 20	FU1-22 to FU1-20	0.01	10.00 [Hz]	Yes
<b>I/O-21</b> <input type="checkbox"/>	Step Frequency 4	I 21	FU1-22 to FU1-20	0.01	40.00 [Hz]	Yes
<b>I/O-22</b> <input type="checkbox"/>	Step Frequency 5	I 22	FU1-22 to FU1-20	0.01	50.00 [Hz]	Yes
<b>I/O-23</b> <input type="checkbox"/>	Step Frequency 6	I 23	FU1-22 to FU1-20	0.01	40.00 [Hz]	Yes
<b>I/O-24</b> <input type="checkbox"/>	Step Frequency 7	I 24	FU1-22 to FU1-20	0.1	30.00 [Hz]	Yes
<b>I/O-25</b> <input type="checkbox"/>	Acceleration Time 1 for Step Frequency	I 25	0 to 6000 [sec]	0.1	20.0 [sec]	Yes
<b>I/O-26</b> <input type="checkbox"/>	Deceleration Time 1 for Step Frequency	I 26	0 to 6000 [sec]	0.1	20.0 [sec]	Yes
<b>I/O-27</b> <input type="checkbox"/>	Acceleration Time 2	I 27	0 to 6000 [sec]	0.1	30.0 [sec]	Yes
<b>I/O-28</b> <input type="checkbox"/>	Deceleration Time 2	I 28	0 to 6000 [sec]	0.1	30.0 [sec]	Yes
<b>I/O-29</b> <input type="checkbox"/>	Acceleration Time 3	I 29	0 to 6000 [sec]	0.1	40.0 [sec]	Yes
<b>I/O-30</b> <input type="checkbox"/>	Deceleration Time 3	I 30	0 to 6000 [sec]	0.1	40.0 [sec]	Yes

Code	Description	Keypad Display	Setting Range	Units	Factory Default	Adjustable during run
I/O-31	Acceleration Time 4	I 31	0 to 6000 [sec]	0.1	50.0 [sec]	Yes
I/O-32	Deceleration Time 4	I 32	0 to 6000 [sec]	0.1	50.0 [sec]	Yes
I/O-33	Acceleration Time 5	I 33	0 to 6000 [sec]	0.1	40.0 [sec]	Yes
I/O-34	Deceleration Time 5	I 34	0 to 6000 [sec]	0.1	40.0 [sec]	Yes
I/O-35	Acceleration Time 6	I 35	0 to 6000 [sec]	0.1	30.0 [sec]	Yes
I/O-36	Deceleration Time 6	I 36	0 to 6000 [sec]	0.1	30.0 [sec]	Yes
I/O-37	Acceleration Time 7	I 37	0 to 6000 [sec]	0.1	20.0 [sec]	Yes
I/O-38	Deceleration Time 7	I 38	0 to 6000 [sec]	0.1	20.0 [sec]	Yes
I/O-40	FM (Frequency Meter) Output selection	I 40	0 (Frequency) 1 (Current) 2 (Voltage) 3 (DC link Vtg)	-	0	Yes
I/O-41	FM Output Adjustment	I 41	10 to 200 [%]	1	100 [%]	Yes
I/O-42	Frequency Detection Level	I 42	0 to FU1-20	0.01	30.00 [Hz]	Yes
I/O-43	Frquency Detection Bandwidth	I 43	0 to FU1-20	0.01	10.00 [Hz]	Yes
I/O-44	Multi-function Output define (MO)15, 16, 18, 19, 20(-Reserved-)	I 44	0 (FDT-1) 1 (FDT-2) 2 (FDT-3) 3 (FDT-4) 4 (FDT-5) 5 (IOL) 6 (IOL) 7 (Stall) 8 (OV) 9 (LV) 10 (OH) 11 (Lost Command) 12 (Run) 13 (Stop) 14 (Steady) 17 (Search)	-	12	Yes
I/O-45	Fault Output Relay setting (30A, 30B, 30C)	I 45	000 - 111 (bit set) Bit 0: LV Bit 1: All Trip Bit 2: Auto retry	-	010	Yes
I/O-46	Inverter Number	I 46	1 to 32	1	1	Yes
I/O-47	Baud Rate I47	I 47	0 (1200 bps) 1 (2400 bps) 2 (4800 bps) 3 (9600 bps) 4 (19200 bps)	-	3	Yes
I/O-48	Operating selection at Loss of Freq. Reference	I 48	0 (None) 1 (FreeRun) 2 (Stop)	-	0	Yes
I/O-49	Waiting Time after Loss of Freq. Reference	I 49	0.1 to 120 [sec]	0.1	1.0 [sec]	Yes
I/O-50	Communication Protocol selection	I 50	0 (LG- BUS) 1-6 (ModbusASCII) 7-9 (Modbus-RTU)	-	7	Yes
I/O-99	Return Code	r	-	-	1	Yes

Note: Parameters that are set by bit are ON (1) when the upper LED is lit. (F59, H19, H22, I15, I16, I45 are the parameters that are set by bit.)  
Note: \*marked default value changes depend on the main frequency setting in factory(50 / 60Hz)

## Dimension : mm(inch)



Inverter	HP	W1	W2	H1	H2	D1
SV004iG5-1	0.5	100(3.94)	88(3.46)	128(5.04)	117.5(4.63)	130.9(5.15)
SV004iG5-2	0.5	100(3.94)	88(3.46)	128(5.04)	117.5(4.63)	130.9(5.15)
SV008iG5-1	1	130(5.12)	118(4.65)	128(5.04)	117.5(4.63)	150.9(5.94)
SV008iG5-2	1	100(3.94)	88(3.46)	128(5.04)	117.5(4.63)	130.9(5.15)
SV015iG5-1	2	150(5.90)	138(5.43)	128(5.04)	117.5(4.63)	155(6.10)
SV015iG5-2	2	130(5.12)	118(4.65)	128(5.04)	117.5(4.63)	150.9(5.94)
SV022iG5-2	3	150(5.90)	138(5.43)	128(5.04)	117.5(4.63)	155(6.10)
SV037iG5-2	5	150(5.90)	138(5.43)	128(5.04)	117.5(4.63)	155(6.10)
SV040iG5-2	5.4	150(5.90)	138(5.43)	128(5.04)	117.5(4.63)	155(6.10)
SV004iG5-4	0.5	130(5.12)	118(4.65)	128(5.04)	117.5(4.63)	150.9(5.94)
SV008iG5-4	1	130(5.12)	118(4.65)	128(5.04)	117.5(4.63)	150.9(5.94)
SV015iG5-4	2	130(5.12)	118(4.65)	128(5.04)	117.5(4.63)	150.9(5.94)
SV022iG5-4	3	150(5.90)	138(5.43)	128(5.04)	117.5(4.63)	155(6.10)
SV037iG5-4	5	150(5.90)	138(5.43)	128(5.04)	117.5(4.63)	155(6.10)
SV040iG5-4	5.4	150(5.90)	138(5.43)	128(5.04)	117.5(4.63)	155(6.10)

## Dynamic Braking(DB) Resistors

### 1. Standard application

Drive	Resistor capacity [W]	Resistor value[ Ω]	Average braking torque[%]	Enable duty[%]	Continuous braking time[sec]
SV004iG5-1	100	400	100	5	5
SV008iG5-1	100	200	100	5	5
SV015iG5-1	100	100	100	3	5
SV004iG5-2	100	400	100	5	5
SV008iG5-2	100	200	100	5	5
SV015iG5-2	100	100	100	3	5
SV022iG5-2	100	60	100	2	5
SV037iG5-2	100	40	100	2	5
SV040iG5-2	100	40	100	2	5
SV004iG5-4	100	1800	100	5	5
SV008iG5-4	100	900	100	5	5
SV015iG5-4	100	450	100	3	5
SV022iG5-4	100	300	100	2	5
SV037iG5-4	100	200	100	2	5
SV040iG5-4	100	200	100	2	5

### 2. When the braking magnitude is high

Drive	Resistor capacity [W]	Resistor value[ Ω]	Average braking torque[%]	Enable duty[%]	Continuous braking time[sec]
SV004iG5-1	100	400	100	5	5
SV008iG5-1	100	200	100	5	5
SV015iG5-1	200	100	100	5	5
SV004iG5-2	100	400	100	5	5
SV008iG5-2	100	200	100	5	5
SV015iG5-2	200	100	100	5	5
SV022iG5-2	300	60	100	5	5
SV037iG5-2	500	40	100	5	5
SV040iG5-2	500	40	100	5	5
SV004iG5-4	100	1800	100	5	5
SV008iG5-4	100	900	100	5	5
SV015iG5-4	200	450	100	5	5
SV022iG5-4	300	300	100	5	5
SV037iG5-4	500	200	100	5	5
SV040iG5-4	500	200	100	5	5

Drive	Resistor capacity [W]	Resistor value[ Ω]	Average braking torque[%]	Enable duty[%]	Continuous braking time[sec]
SV004iG5-1	150	300	150	5	5
SV008iG5-1	150	150	150	5	5
SV015iG5-1	300	60	150	5	5
SV004iG5-2	150	300	150	5	5
SV008iG5-2	150	150	150	5	5
SV015iG5-2	300	60	150	5	5
SV022iG5-2	400	50	150	5	5
SV037iG5-2	600	33	150	5	5
SV040iG5-2	600	33	150	5	5
SV004iG5-4	150	1200	150	5	5
SV008iG5-4	150	600	150	5	5
SV015iG5-4	300	300	150	5	5
SV022iG5-4	400	200	150	5	5
SV037iG5-4	600	130	150	5	5
SV040iG5-4	600	130	150	5	5

## Options

Option	Description
DIN Rail base	Din rail mounting plate
Remote keypad mounting fixture and cable	2 meter, 3 meter and 5 meter cable and mounting fixture.

## Peripheral devices

Drive Models	kW	MCCB, ELB	Magnetic Contactor	Wire, mm2(AWG)			AC Input	AC Reactor	DC Reactor
				R,S,T	U,V,W	Ground			
SV004iG5-1	0.37	ABS33a, EBS33	SMC-10P	2(14)	2(14)	3.5(12)	10A	2.13mH, 5.7A	7.00mH, 5.4A
SV008iG5-1	0.75	ABS33a, EBS33	SMC-10P	2(14)	2(14)	3.5(12)	10A	2.13mH, 5.7A	7.00mH, 5.4A
SV015iG5-1	1.5	ABS33a, EBS33	SMC-10P	2(14)	2(14)	3.5(12)	10A	2.13mH, 5.7A	7.00mH, 5.4A
SV004iG5-2	0.37	ABS33a, EBS33	SMC-10P	2(14)	2(14)	3.5(12)	10A	2.13mH, 5.7A	7.00mH, 5.4A
SV008iG5-2	0.75	ABS33a, EBS33	SMC-10P	2(14)	2(14)	3.5(12)	10A	2.13mH, 5.7A	7.00mH, 5.4A
SV015iG5-2	1.5	ABS33a, EBS33	SMC-10P	2(14)	2(14)	3.5(12)	15A	1.20mH, 10A	4.05mH, 9.2A
SV022iG5-2	2.2	ABS33a, EBS33	SMC-15P	2(14)	2(14)	3.5(12)	25A	0.88mH, 14A	2.92mH, 13A
SV037iG5-2	3.7	ABS33a, EBS33	SMC-20P	3.5(12)	3.5(12)	3.5(12)	40A	0.56mH, 20A	1.98mH, 19A
SV040iG5-2	4	ABS33a, EBS33	SMC-20P	3.5(12)	3.5(12)	3.5(12)	40A	0.56mH, 20A	1.98mH, 19A
SV004iG5-4	0.37	ABS33a, EBS33	SMC-10P	2(14)	2(14)	2(14)	6A	8.63mH, 2.8A	28.62mH, 2.7A
SV008iG5-4	0.75	ABS33a, EBS33	SMC-10P	2(14)	2(14)	2(14)	6A	8.63mH, 2.8A	28.62mH, 2.7A
SV015iG5-4	1.5	ABS33a, EBS33	SMC-10P	2(14)	2(14)	2(14)	10A	4.81mH, 4.8A	16.14mH, 4.6A
SV022iG5-4	2.2	ABS33a, EBS33	SMC-20P	2(14)	2(14)	2(14)	10A	3.23mH, 7.5A	11.66mH, 7.1A
SV037iG5-4	3.7	ABS33a, EBS33	SMC-20P	2(14)	2(14)	2(14)	20A	2.34mH, 10A	7.83mH, 10A
SV040iG5-4	4	ABS33a, EBS33	SMC-20P	2(14)	2(14)	2(14)	20A	2.34mH, 10A	7.83mH, 10A

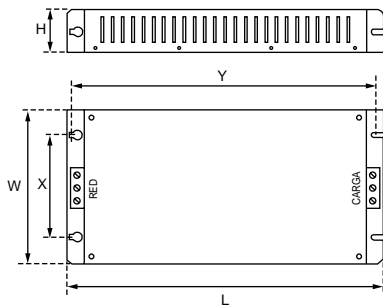
RFI Filters

IG5 Series			Footprint Filter							
Drive Models	Power	Code	Current	Tension Voltage	Leakage Current	Dimensions L W H	Mounting Y X	Weight	Mount	Output Chokes
<i>SINGLE PHASE</i>			(max.)							
SV004iG5-1	0.4kW	FFG5-M010-1	10A	250VA	3.5A	173.5 X 103.5 X 40	159.5 X 80		M4	FS-1
SV008iG5-1	0.8kW	FFG5-M011-1	11A	250VA	3.5A	173.5 X 133.5 X 40	159.5 X 110		M4	FS-1
SV015iG5-1	1.5kW	FFG5-M020-1	20A	250VA	3.5A	173.5 X 153.5 X 40	159.5 X 130		M4	FS-2
<i>THREE PHASE</i>			(max.)							
SV004iG5-2	0.4kW	FFG5-T005-1	5A	250VA	0.3A 18A	173.5 X 103.5 X 40	159.5 X 80		M4	FS-1
SV008iG5-2	0.8kW									
SV015iG5-2	1.5kW	FFG5-T012-1	12A	250VA	0.3A 18A	173.5 X 133.5 X 40	159.5 X 110		M4	FS-2
SV022iG5-2	2.2kW									
SV037iG5-2	3.7kW	FFG5-T020-1	20A	250VA	0.3A 18A	173.5 X 153.5 X 40	159.5 X 130		M4	FS-2
SV040iG5-2	4.0kW									
SV004iG5-4	0.4kW									
SV008iG5-4	0.8kW	FFG5-T006-1	6A	380VAC	0.5A 27A	173.5 X 133.5 X 40	159.5 X 110		M4	FS-1
SV015iG5-4	1.5kW									
SV022iG5-4	2.2kW									
SV037iG5-4	3.7kW	FFG5-T011-1	11A	380VAC	0.5A 27A	173.5 X 133.5 X 40	159.5 X 130		M4	FS-2
SV040iG5-4	4.0kW									

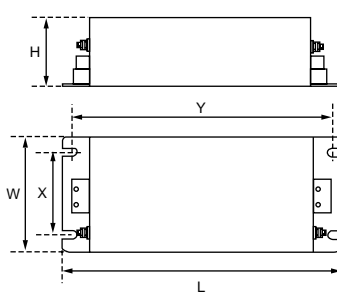
IG5 Series			Standard Filter							
Drive Models	Power	Code	Current	Tension Voltage	Leakage Current	Dimensions L W H	Mounting Y X	Weight	Mount	Output Chokes
<i>SINGLE PHASE</i>			(max.)							
SV004iG5-1	0.4kW	FEG5-T010-(X)	10A	250VA	3.5A	150.5 X 55 X 45	140 X 45		---	FS-1
SV008iG5-1	0.8kW									
SV015iG5-1	1.5kW	FEG5-T015-(X)	15A	250VA	3.5A	150.5 X 55 X 45	140 X 45		---	FS-2
<i>THREE PHASE</i>			(max.)							
SV004iG5-2	0.4kW	FEG5-T006-(X)	6A	250VA	0.3A 18A	250 X 110 X 60	238 X 76		---	FS-2
SV008iG5-2	0.8kW									
SV015iG5-2	1.5kW	FEG5-T012-(X)	12A	250VA	0.3A 18A	250 X 110 X 60	238 X 76		---	FS-2
SV022iG5-2	2.2kW									
SV037iG5-2	3.7kW	FEG5-T020-(X)	20A	250VA	0.3A 18A	270 X 140 X 60	258 X 106		---	FS-2
SV040iG5-2	4.0kW									
SV004iG5-4	0.4kW									
SV008iG5-4	0.8kW	FEG5-T006-(X)	6A	380VAC	0.5A 27A	250 X 110 X 60	238 X 76		---	FS-2
SV015iG5-4	1.5kW									
SV022iG5-4	2.2kW									
SV037iG5-4	3.7kW	FEG5-T012-(X)	12A	380VAC	0.5A 27A	250 X 110 X 60	238 X 76		---	FS-2
SV040iG5-4	4.0kW									

(X) (1) Industrial environment EN 50081-1 (A class)  
 (2) Domestic and industrial environment EN 50081-1 (B class)

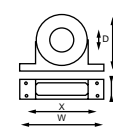
FF Series (Footprint)



FE Series (Standard)

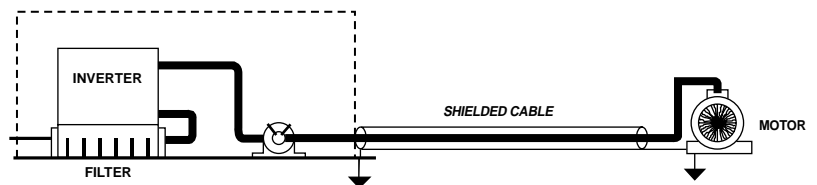


FS Series (output chokes)

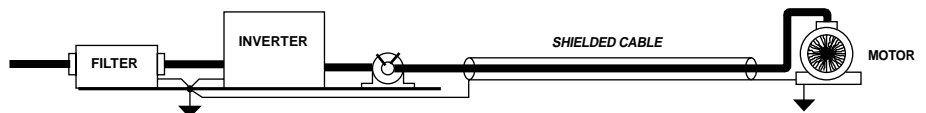


Type	D	W	H	X	O
FS-1	21	85	46	70	5
FS-2	28.5	105	62	90	5
FS-3	48	150	110	125 x 30	5
FS-4	58	200	170	180 x 45	5

FF Series (Footprint)



FE Series (Standard)





*LG constantly endeavor to improve  
our products so that information  
in this catalog is subject to  
change without notice.*



**LG Industrial Systems Co., Ltd.**

■ **HEAD OFFICE**

LG TWIN TOWERS, 20 Yoido-dong, Youngdungpo-gu, Seoul, 150-721, Korea.  
Tel.(82-2)3777- 4640 ~ 4649  
Fax.(82-2)3777- 4648  
<http://www.lgis.com>  
<http://www.fasolution.com>

■ **OVERSEAS BRANCHES**

Beijing	Tel.86-10-6462-3254, 3256, 3259, 6464-8637
Shanghai	Tel.86-21-6252-3367, 3795, 6240-3477
Hanoi	Tel.84-4-882-0222
Dalian	Tel.86-411-730-6495, 730-7580
Tokyo	Tel.81-3-3582-9126
Jakarta	Tel.62-21-897-4311
New Jersey	Tel.1-201-816-2982