

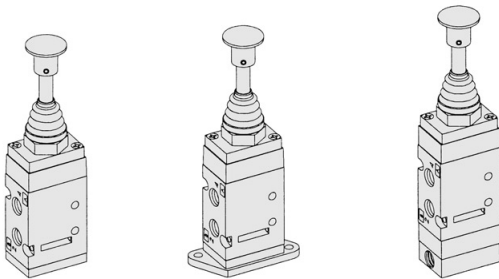
# KMV Series

Knob Push / Pull Manually  
Actuated Spool Valves

- 5/2, 3/2 - 1/8, 1/4
- Direct Operation Type
- Simple Operation
- Space Economy Type

## SPECIFICATION

ITEM	SERIES	KMV300	KMV400
	FUNCTION	5/2-Way	5/2, 3/2-Way
Fluids	Compressed Air & Inert Gases		
Port Size	1/8		1/4
Pressure(bar)	0~8.0		
Eff. Sectional Area(mm <sup>2</sup> )-5bar	13.5		18.0
Ambient & Fluid Temp.	5~60°C (41~140°F)		
Lubrication	Not Required(Use ISO VG32#)		



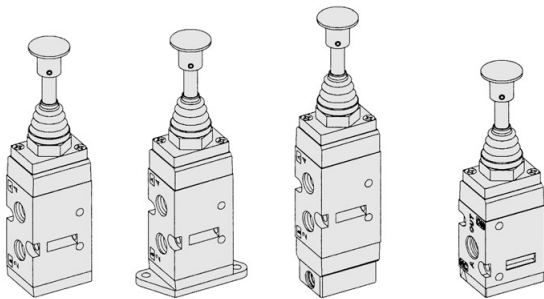
KMV310-S

KMV310-S-P

KMV310-DA

KMV320-D

KMV320-D-P



KMV410-S

KMV410-S-P

KMV410-DA

KMV460-S

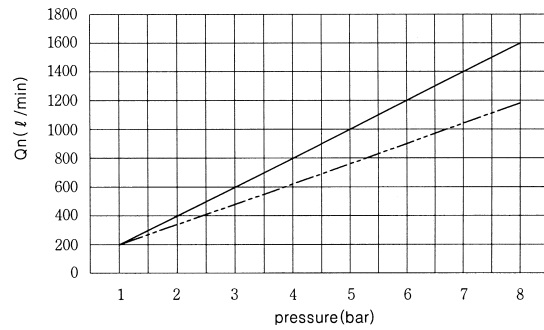
KMV420-D

KMV420-D-P

KMV460-D

KMV460-DA

### Transition Capacity Graph



### The Material of Parts

- Valve Body : Die-Cast Aluminium
- Spool : Aluminium
- Seals : NBR
- Spring : Stainless
- Lever Parts : Steel, NBR, Aluminium
- Cap : Zinc Pressure Die-Cast
- Standing Plate : Steel Plate

### Standing Plate (Material : SCP1)



Ordering Code  
KMV-P

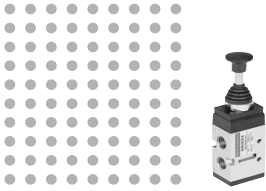
\* The specification on each item can be amended without any prenotice to improve a performance.  
\* The specification on each item can be different from actual specification.

## ORDERING NO.

**KMV3 1 0 - S - P**

Valve Series	Function	Port Size & Thread	Return Method	Manual Operator
<b>KMV3:</b> 1/8-Port Body	1 5/2 Single 6 3/2 Normally Closed	0 G 1 NPT	S Push, Spring Return D Push, Full DA Push, Air Return	P Standing Plate

**KMV4:**  
1/4-Port Body

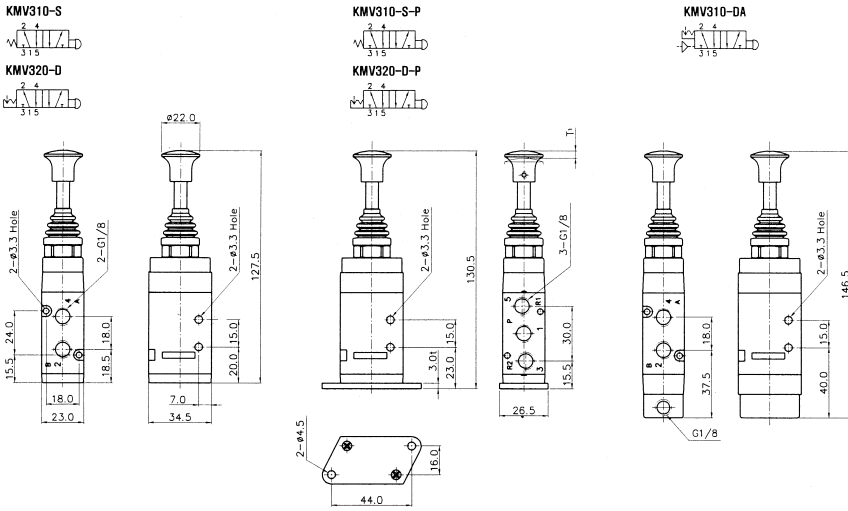


# Knob Push / Pull Manually Actuated Valve

Port Thread 1/8, 1/4

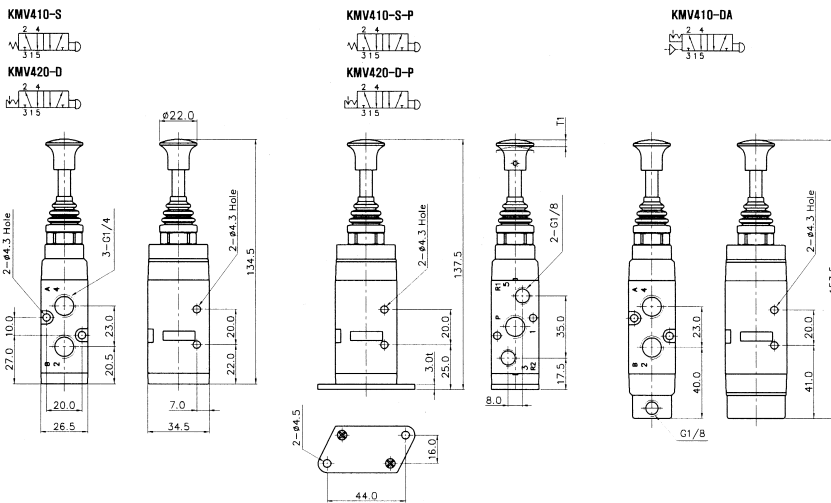
## 5/2-Way, Spring Return & Push Pull & Air Return Operation Thread-G1/8

ITEM	KMV310-S	KMV310-D
T <sub>1</sub>	4.0mm	4.0mm
F <sub>1</sub>	4.5kg	2.0kg



## 5/2-Way, Spring Return & Push Pull & Air Return Operation Thread-G1/4

ITEM	KMV410-S	KMV420-D
	KMV460-S	KMV460-D
T <sub>1</sub>	4.0mm	4.0mm
F <sub>1</sub>	4.5kg	2.0kg



## 3/2-Way, Spring Return & Push Pull & Air Return Operation Thread-G1/4

